

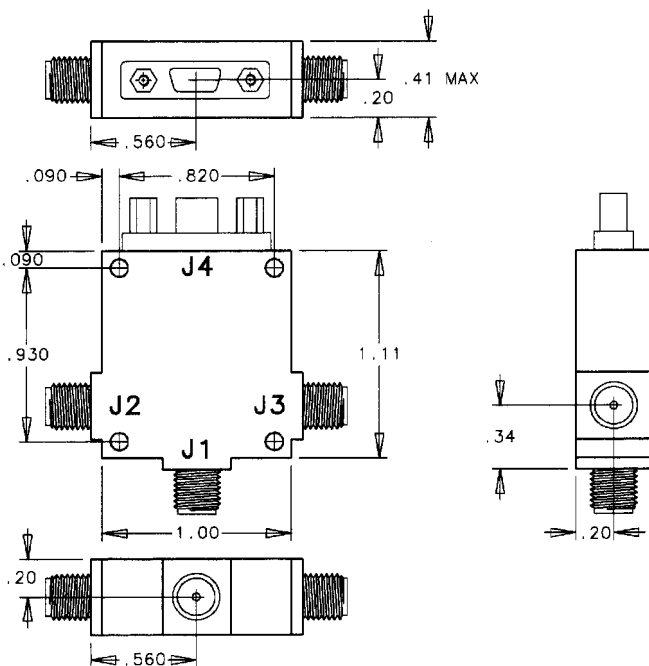
SINGLE POLE, DOUBLE THROW CONNECTORIZED SWITCHES WITH DIGITAL CONNECTORS



ELECTRICAL CHARACTERISTICS

PART #	TYPE	FREQ RANGE GHz	LOSS dB	ISO dB	VSWR	SWITCH SPEED ns	RF POWER dBm	DC SUPPLY Volts
6048	SP2T R	9-10	1.8	70	2.0:1	1000	30	+5,-5
6049	SP2T R	1-18	2.5	60	2.0:1	25	25	+5,-5
6050	SP2T N	.5-4	1.5	75	1.5:1	1000	25	+5,-5

PACKAGE OUTLINE



DESCRIPTION

High isolation, wideband switches designed for use in highly integrated sub-systems where flex-cable and/or impedance control of digital lines is required. Each switch features a nine-pin micro-D connector that easily integrates to control logic without the need for soldered connections. Hermetic, military/industrial design.

ADDITIONAL FEATURES (#6050)

■ Isolation:
Up to 75 dB

CONNECTORS

■ SMA

OPERATING ENVIRONMENT

■ Operating Temperature:

-55 to +125°C

■ Storage Temperature:

-65 to +150°C

■ Impedance:

50 ohm

■ Control:

Transistor-Transistor Logic (TTL)

APPLICATIONS

■ Radar simulation

■ Microwave pulse modulator

■ Radar stimulator