



# single turn rotational motion transducers

## MECHANICAL SPECIFICATIONS

Continuous rotation :	through 360°
Rotation speed :	up to 600 r.p.m.
Rotation life :	100 million revolutions
Gangable :	up to 6 cups
Temperature range :	-55°C to +125°C
Temperature coefficient :	-300 ppm/°C ± 300 ppm/°C
Terminals :	turrets
Mounting:	servo SF - Bushing BF

## ELECTRICAL SPECIFICATIONS

Resolution :	essentially infinite
Resistance range :	1 kΩ to 10 kΩ
Tolerance :	± 10 %
Output smoothness :	up to 0,01 %
Insulation resistance :	10 <sup>3</sup> MΩ (500 VDC)
Dielectric voltage at 20°C :	1000 V RMS (50 Hz)
Function :	Linear (L) - Non linear (NL)

### SERVO

### BUSHING

### STANDARD MODELS

Functions		Housing Diameter	Shafts		Size	Series	Model	Mounting		Multi cup	Data sheet no.
L	NL		Ø Dia.	Length				Servo	Bushing		
		12,7	3,17	ES-CS 12,7 CB 22,2	05	ECO	50	ES	CB		5.650
		22,2			09		ES CS	CB			
		33,3			13		ES CS	CB			
		22,2	6,35	22,2	09		78	RS PS	RB PB		5.658
		19,1	3,175	SF 16,6 BF 20max.	08	ROT	34	SF	BF		ROT SF 5.653  ROT BF 5.654
		22,3			09		SF	BF			
		27,05			11		SF	BF			
		33,35			13		SF	BF			
		36,46			15		SF	BF			
		44,4			18		SF	BF			
		50,8	20	SF	BF						
		76,2	30	SF	BF						



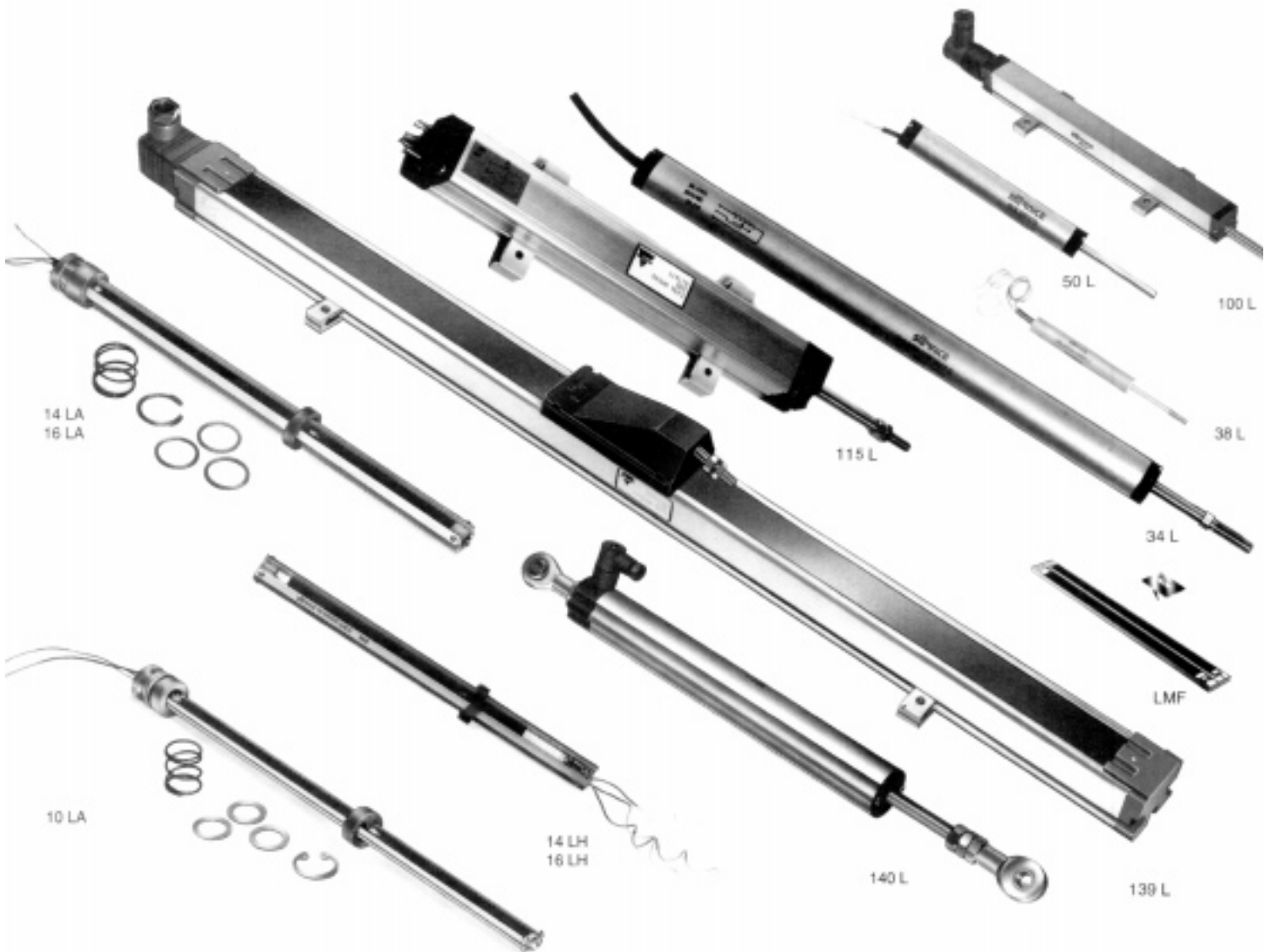


# linear motion transducers

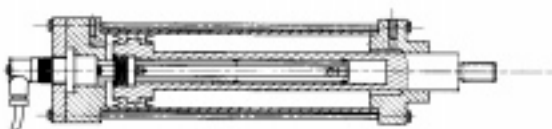
These potentiometers show the same electrical properties as the rotational potentiometers. However, there are some mechanical differences.

<b>Drive speed:</b>	10 m/s max.
<b>Number of tracks :</b>	2 max.
<b>Electrical output :</b>	turrets, wires, connectors

Dimensions mm		Electrical stroke	No. of tracks	Series	Data sheet no.
Section	31,5x36 mm	25 to 6000 mm	1	139 L	5.674
Square section	31,7 mm	25 to 1000 mm	2	115 L	5.663
	18 mm	25 to 450 mm	1	100 L	5.661
Ø dia.	38 mm	25 to 1000 mm	2	140 L	5.662
	19,1 mm	25 to 450 mm	2	34 L	5.660
	12,7 mm	25 to 300 mm	2	50 L	
	9,52 mm	12,5 to 150 mm	1	38 L	5.659
Thickness: 1,6		25 to 1000 mm		LMF	5.666



## Linear motion transducers for integration inside hydraulic actuator



Dimensions mm	Electrical stroke	Series	Data sheet no.
Ø 12	25 to 500 mm	10 LA	5.670
Ø 16	25 to 2.000 mm	14 LA	5.671
		14 LH	5.672
Ø 18	25 to 2.000 mm	16 LA	5.671
		16 LH	5.672

---

## motion transducers special designs

Due to the original track manufacturing process our technology is immensely versatile and adaptable, allowing our design engineers to offer you the best possible solution for your application.

Below are some examples of special designs.



VISHAY S.A.  
International Department  
199, Boulevard de la Madeleine  
B.P. 1159  
F 06003 NICE CEDEX 1  
Tel. : (33) 04 93 37 27 27  
Fax. : (33) 04 93 37 27 26