

Document Title**128K x16 bit Super Low Power and Low Voltage Full CMOS Static RAM****Revision History**

<u>Revision No.</u>	<u>History</u>	<u>Draft Date</u>	<u>Remark</u>
0.0	Initial Draft	June 25, 1998	Advance
1.0	Finalize - IDR test condition change: Vcc=1.5V to Vcc=1.2V - Improve Icc2: 35mA → 30mA - Improve IDR: 3μA → 2μA - 48-CSP package dimension change Die thickness: 0.32mm → 0.45mm E: 0.80mm → 0.93mm E1: 0.55mm → 0.68mm - Operation voltage range change: 2.4~2.6V → 2.3~2.7V	November 12, 1998	Final

The attached datasheets are provided by SAMSUNG Electronics. SAMSUNG Electronics CO., LTD. reserve the right to change the specifications and products. SAMSUNG Electronics will answer to your questions about device. If you have any questions, please contact the SAMSUNG branch offices.

128K x 16 bit Super Low Power and Low Voltage Full CMOS Static RAM

FEATURES

- Process Technology: Full CMOS
- Organization: 128K x16 bit
- Power Supply Voltage: 2.3~2.7V
- Low Data Retention Voltage: 1.0V(Min)
- Three state output status and TTL Compatible
- Package Type : 48-uBGA with 0.75mm ball pitch

GENERAL DESCRIPTION

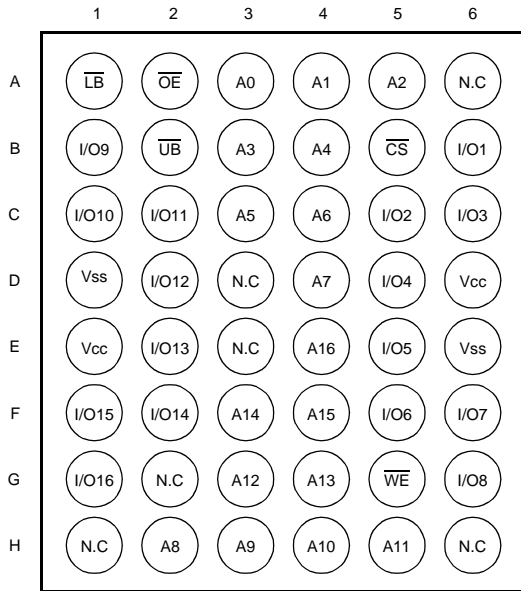
The KM616FS2010A families are fabricated by SAMSUNG's advanced full CMOS process technology. The families support industrial temperature range and 48 ball Chip Scale Package for user flexibility of system design. The families also support low data retention voltage for battery back-up operation with low data retention current.

PRODUCT FAMILY

Product Family	Operating Temperature	Vcc Range	Speed(ns)	Power Dissipation		PKG Type
				Standby (I _{SB1} , Typ.)	Operating (I _{CC1} , Max)	
KM616FS2010A	Industrial(-40~85°C)	2.3~2.7V	70 ¹ /100	0.5μA	4mA	48-uBGA

1. The parameter is measured with 30pF test load.

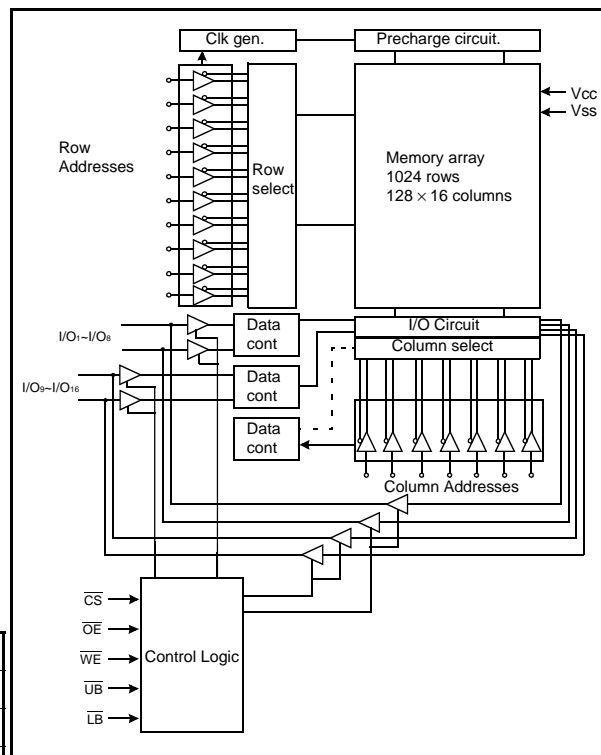
PIN DESCRIPTION



48-ball CSP - Top View (Ball Down)

Name	Function	Name	Function
\overline{CS}	Chip Select Input	Vcc	Power
\overline{OE}	Output Enable Input	Vss	Ground
\overline{WE}	Write Enable Input	\overline{UB}	Upper Byte(I/O9~16)
A0~A16	Address Inputs	\overline{LB}	Lower Byte(I/O1~8)
I/O1~I/O16	Data Inputs/Outputs	N.C.	No Connection

FUNCTIONAL BLOCK DIAGRAM



SAMSUNG ELECTRONICS CO., LTD. reserves the right to change products and specifications without notice.

PRODUCT LIST

Industrial Temperature Products(-40~85°C)	
Part Name	Function
KM616FS2010AZI-7	48-CSP with 48 ball, 70ns, 2.5V
KM616FS2010AZI-10	48-CSP with 48 ball, 100ns, 2.5V

FUNCTIONAL DESCRIPTION

\overline{CS}	\overline{OE}	\overline{WE}	\overline{LB}	\overline{UB}	I/O ₁₋₈	I/O ₉₋₁₆	Mode	Power
H	X ¹⁾	X ¹⁾	X ¹⁾	X ¹⁾	High-Z	High-Z	Deselected	Standby
X ¹⁾	X ¹⁾	X ¹⁾	H	H	High-Z	High-Z	Deselected	Standby
L	H	H	L	X ¹⁾	High-Z	High-Z	Output Disabled	Active
L	H	H	X ¹⁾	L	High-Z	High-Z	Output Disabled	Active
L	L	H	L	H	Dout	High-Z	Lower Byte Read	Active
L	L	H	H	L	High-Z	Dout	Upper Byte Read	Active
L	L	H	L	L	Dout	Dout	Word Read	Active
L	X ¹⁾	L	L	H	Din	High-Z	Lower Byte Write	Active
L	X ¹⁾	L	H	L	High-Z	Din	Upper Byte Write	Active
L	X ¹⁾	L	L	L	Din	Din	Word Write	Active

1. X means don't care. (Must be low or high state)

ABSOLUTE MAXIMUM RATINGS¹⁾

Item	Symbol	Ratings	Unit
Voltage on any pin relative to V _{ss}	V _{IN} , V _{OUT}	-0.2 to 3.0V	V
Voltage on V _{cc} supply relative to V _{ss}	V _{CC}	-0.2 to 3.6V	V
Power Dissipation	P _D	1.0	W
Storage temperature	T _{STG}	-55 to 150	°C
Operating Temperature	T _A	-40 to 85	°C

1. Stresses greater than those listed under "Absolute Maximum Ratings" may cause permanent damage to the device. Functional operation should be restricted to recommended operating condition. Exposure to absolute maximum rating conditions for extended periods may affect reliability.

RECOMMENDED DC OPERATING CONDITIONS¹⁾

Item	Symbol	Min	Typ	Max	Unit
Supply voltage	V _{CC}	2.3	2.5	2.7	V
Ground	V _{SS}	0	0	0	V
Input high voltage	V _{IH}	2.0	-	V _{CC} +0.2 ²⁾	V
Input low voltage	V _{IL}	-0.2 ³⁾	-	0.6	V

Note :

1. T_A=-40 to 85°C, otherwise specified
2. Overshoot: V_{CC}+1.0V in case of pulse width ≤20ns.
3. Undershoot: -1.0V in case of pulse width ≤20ns.
4. Overshoot and undershoot are sampled, not 100% tested.

CAPACITANCE¹⁾ (f=1MHz, T_A=25°C)

Item	Symbol	Test Condition	Min	Max	Unit
Input capacitance	C _{IN}	V _{IN} =0V	-	8	pF
Input/Output capacitance	C _{IO}	V _{IO} =0V	-	10	pF

1. Capacitance is sampled, not 100% tested

DC AND OPERATING CHARACTERISTICS

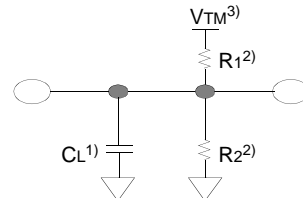
Item	Symbol	Test Conditions	Min	Typ	Max	Unit
Input leakage current	I _{LI}	V _{IN} =V _{SS} to V _{CC}	-1	-	1	μA
Output leakage current	I _{LO}	$\overline{CS}=V_{IH}$ or $\overline{OE}=V_{IH}$ or $\overline{WE}=V_{IL}$, V _{IO} =V _{SS} to V _{CC}	-1	-	1	μA
Operating power supply current	I _{CC}	I _{IO} =0mA, $\overline{CS}=V_{IL}$, V _{IN} =V _{IH} or V _{IL}	-	-	2	mA
Average operating current	I _{CC1}	Cycle time=1μs, 100% duty, I _{IO} =0mA, $\overline{CS} \leq 0.2V$, V _{IN} ≤0.2V or V _{IN} ≥V _{CC} -0.2V	-	-	4	mA
	I _{CC2}	Cycle time=Min, I _{IO} =0mA, 100% duty, $\overline{CS}=V_{IL}$, V _{IN} =V _{IH} or V _{IL}	-	-	30	mA
Output low voltage	V _{OL}	I _{OL} = 0.5mA	-	-	0.4	V
Output high voltage	V _{OH}	I _{OL} = -0.5mA	2.0	-	-	V
Standby Current(TTL)	I _{SB}	$\overline{CS}=V_{IH}$ or $\overline{LB}=\overline{UB}=V_{IH}$, Other inputs=V _{IH} or V _{IL}	-	-	0.3	mA
Standby Current(CMOS)	I _{SB1}	$\overline{CS} \geq V_{CC}-0.2V$ or $\overline{LB}=\overline{UB} \geq V_{CC}-0.2V$, $\overline{CS} \leq 0.2V$, Other inputs=0~V _{CC}	-	0.5	5 ¹⁾	μA

1. Super low power product=2μA with special handling

AC OPERATING CONDITIONS

TEST CONDITIONS (Test Load and Test Input/Output Reference)

Input pulse level : 0.2 to 2.2V
 Input rising and falling time : 5ns
 Input and output reference voltage : 1.1V
 Output load (See right) : $C_L = 100\text{pF} + 1\text{TTL}$
 $C_L = 30\text{pF} + 1\text{TTL}$



1. Including scope and jig capacitance
2. $R_1 = 3070\Omega$, $R_2 = 3150\Omega$
3. $V_{TM} = 2.3\text{V}$

AC CHARACTERISTICS ($T_A = -40$ to 85°C , $V_{CC} = 2.3$ ~ 2.7V)

Parameter List		Symbol	Speed Bins				Units
			70ns		100ns		
			Min	Max	Min	Max	
Read	Read cycle time	t _{RC}	70	-	100	-	ns
	Address access time	t _{AA}	-	70	-	100	ns
	Chip select to output	t _{CO}	-	70	-	100	ns
	Output enable to valid output	t _{OE}	-	35	-	50	ns
	$\overline{\text{UB}}$, $\overline{\text{LB}}$ Access Time	t _{BA}	-	70	-	100	ns
	Chip select to low-Z output	t _{LZ}	10	-	10	-	ns
	$\overline{\text{UB}}$, $\overline{\text{LB}}$ enable to low-Z output	t _{BLZ}	10	-	10	-	ns
	Output enable to low-Z output	t _{OLZ}	5	-	5	-	ns
	Chip disable to high-Z output	t _{HZ}	0	25	0	30	ns
	$\overline{\text{UB}}$, $\overline{\text{LB}}$ disable to high-Z output	t _{BHZ}	0	25	0	30	ns
	Output disable to high-Z output	t _{OHZ}	0	25	0	30	ns
Output hold from address change	t _{OH}	10	-	15	-	ns	
Write	Write cycle time	t _{WC}	70	-	100	-	ns
	Chip select to end of write	t _{CW}	60	-	80	-	ns
	Address set-up time	t _{AS}	0	-	0	-	ns
	Address valid to end of write	t _{AW}	60	-	80	-	ns
	$\overline{\text{UB}}$, $\overline{\text{LB}}$ Valid to End of Write	t _{BW}	60	-	80	-	ns
	Write pulse width	t _{WP}	55	-	70	-	ns
	Write recovery time	t _{WR}	0	-	0	-	ns
	Write to output high-Z	t _{WHZ}	0	25	0	30	ns
	Data to write time overlap	t _{DW}	30	-	40	-	ns
	Data hold from write time	t _{DH}	0	-	0	-	ns
	End write to output low-Z	t _{OW}	5	-	5	-	ns

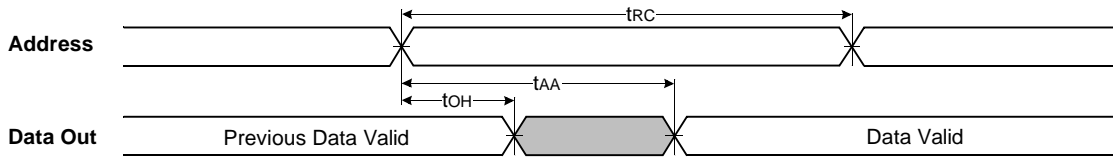
DATA RETENTION CHARACTERISTICS

Item	Symbol	Test Condition	Min	Typ	Max	Unit
V _{CC} for data retention	V _{DR}	$\overline{\text{CS}} \geq V_{CC} - 0.2\text{V}^{(1)}$	1.0	-	2.7	V
Data retention current	I _{DR}	$V_{CC} = 1.2\text{V}$, $\overline{\text{CS}} \geq V_{CC} - 0.2\text{V}^{(1)}$	-	1	3 ⁽²⁾	μA
Data retention set-up time	t _{SDR}	See data retention waveform	0	-	-	ns
Recovery time	t _{RDR}		t _{RC}	-	-	

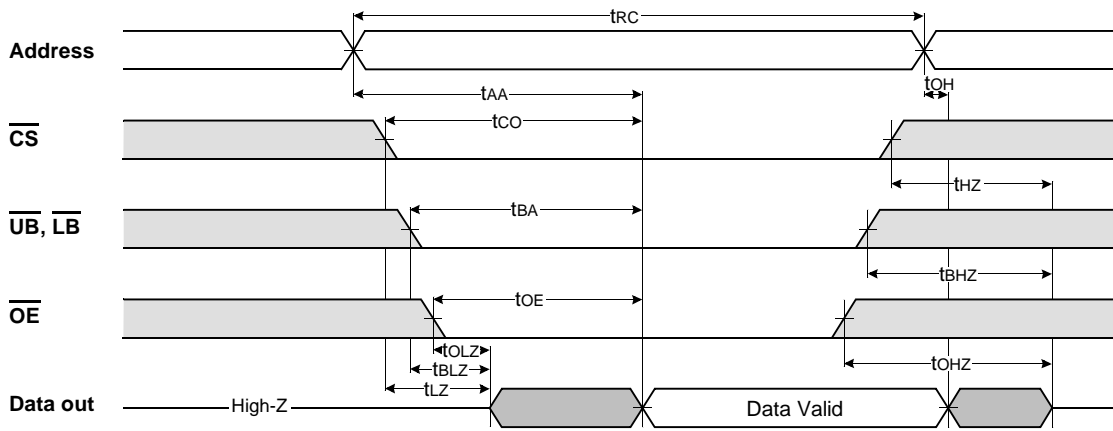
1. $\overline{\text{CS}} \geq V_{CC} - 0.2\text{V}$ ($\overline{\text{CS}}$ controlled) or $\overline{\text{LB}} = \overline{\text{UB}} \geq V_{CC} - 0.2\text{V}$, $\overline{\text{CS}} \leq 0.2\text{V}$ ($\overline{\text{LB}}$, $\overline{\text{UB}}$ controlled)
2. Super low power product = $1\mu\text{A}$ with special handling.

TIMMING DIAGRAMS

TIMING WAVEFORM OF READ CYCLE(1) (Address Controlled, $\overline{CS}=\overline{OE}=V_{IL}$, $\overline{WE}=V_{IH}$, \overline{UB} or/and $\overline{LB}=V_{IL}$)



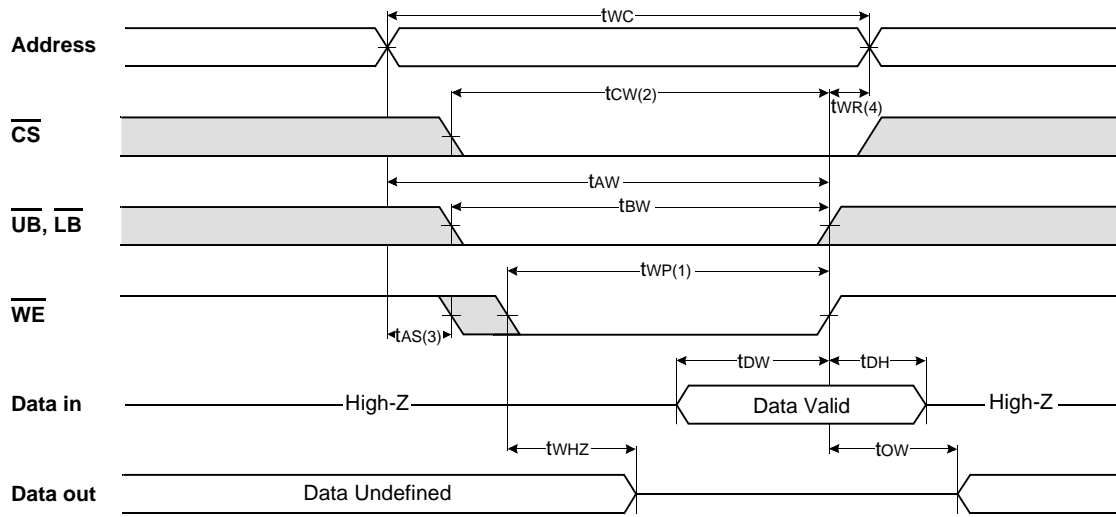
TIMING WAVEFORM OF READ CYCLE(2) ($\overline{WE}=V_{IH}$)



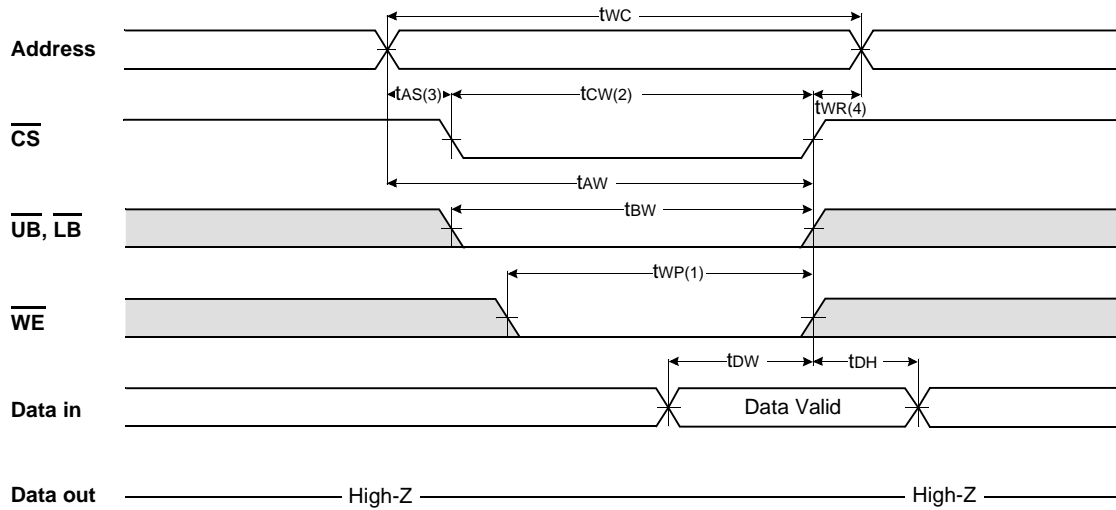
NOTES (READ CYCLE)

1. t_{HZ} and t_{OHZ} are defined as the time at which the outputs achieve the open circuit conditions and are not referenced to output voltage levels.
2. At any given temperature and voltage condition, $t_{HZ}(\text{Max.})$ is less than $t_{LZ}(\text{Min.})$ both for a given device and from device to device interconnection.

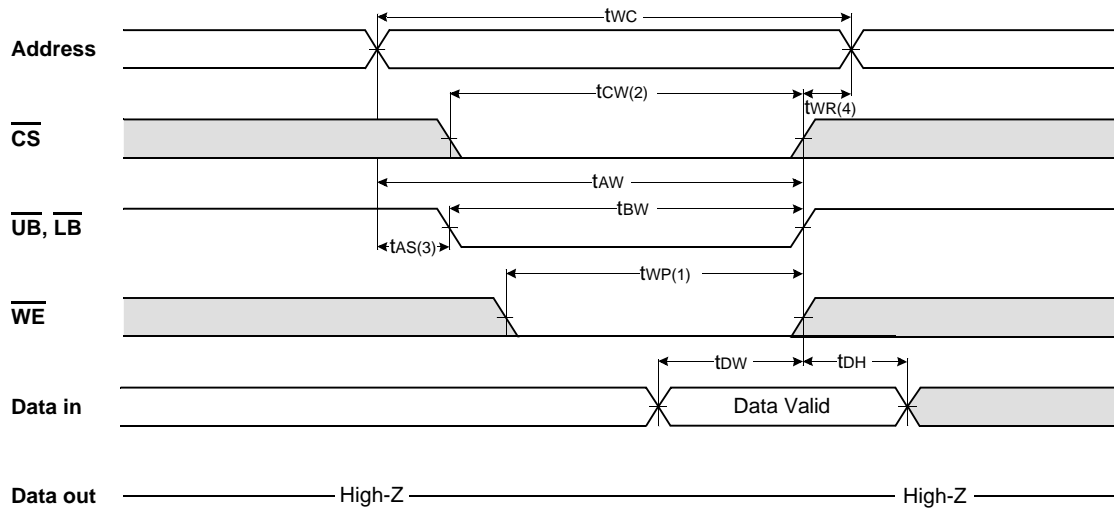
TIMING WAVEFORM OF WRITE CYCLE(1) (\overline{WE} Controlled)



TIMING WAVEFORM OF WRITE CYCLE(2) (\overline{CS} Controlled)



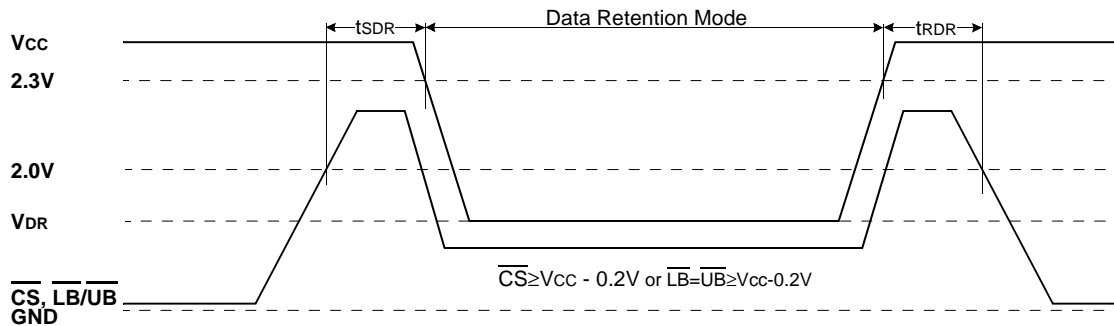
TIMING WAVEFORM OF WRITE CYCLE(3) (\overline{UB} , \overline{LB} Controlled)



NOTES (WRITE CYCLE)

1. A write occurs during the overlap(t_{WP}) of low \overline{CS} and low \overline{WE} . A write begins when \overline{CS} goes low and \overline{WE} goes low with asserting \overline{UB} or \overline{LB} for single byte operation or simultaneously asserting \overline{UB} and \overline{LB} for double byte operation. A write ends at the earliest transition when \overline{CS} goes high and \overline{WE} goes high. The t_{WP} is measured from the beginning of write to the end of write.
2. t_{CW} is measured from the \overline{CS} going low to end of write.
3. t_{AS} is measured from the address valid to the beginning of write.
4. t_{WR} is measured from the end of write to the address change. t_{WR} applied in case a write ends as \overline{CS} or \overline{WE} going high.

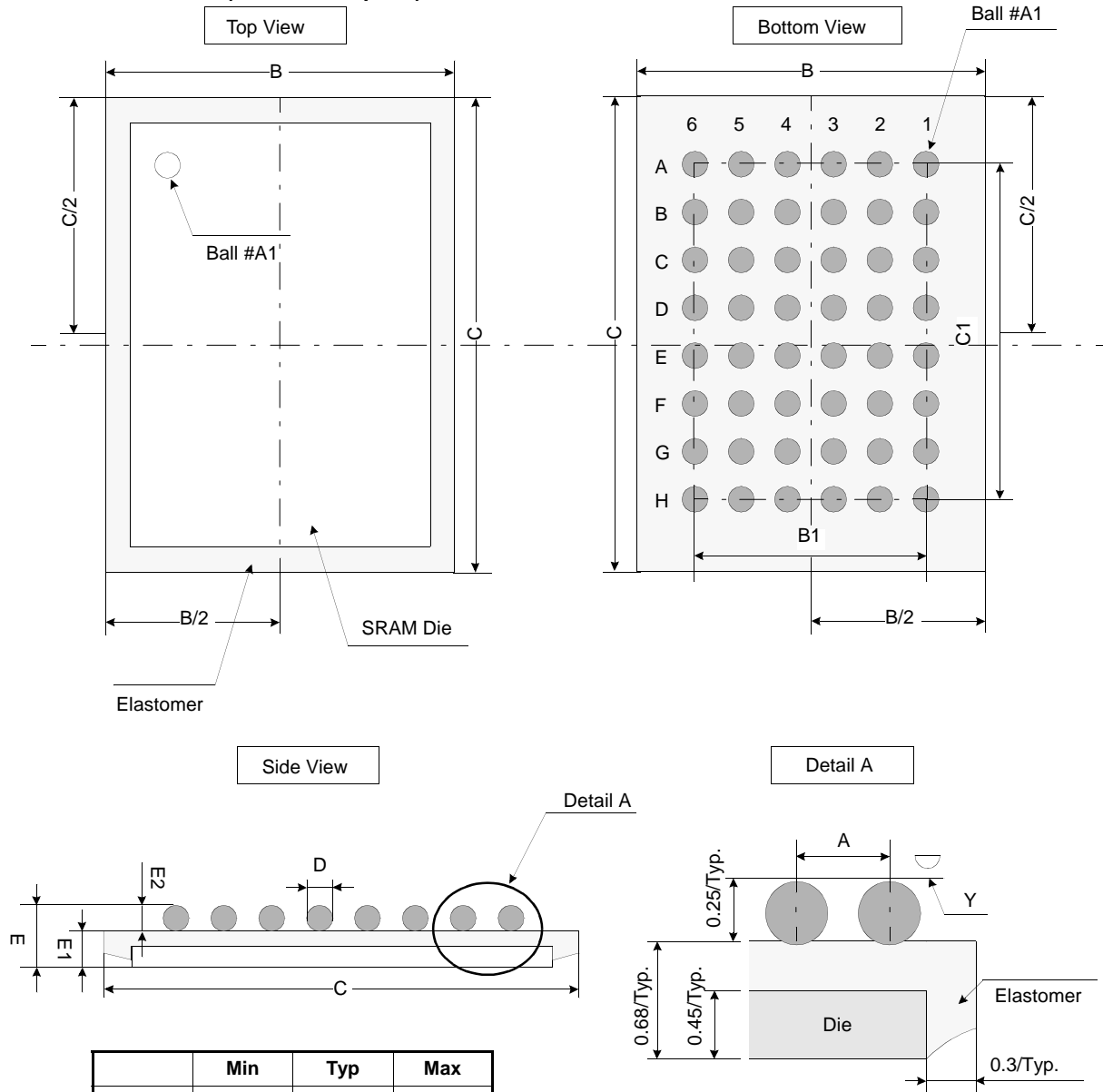
DATA RETENTION WAVE FORM



PACKAGE DIMENSIONS

Unit : millimeter(inch)

48 BALL MICRO BGA(0.75mm ball pitch)



	Min	Typ	Max
A	-	0.75	-
B	5.90	6.00	6.10
B1	-	3.75	-
C	7.90	8.00	8.10
C1	-	5.25	-
D	0.30	0.35	0.40
E	-	0.93	0.94
E1	-	0.68	-
E2	-	0.25	-
Y	-	-	0.08

Notes.

1. Bump counts : 48(8row x 6column)
2. Bump pitch : (x,y)=(0.75 x 0.75)(typ.)
3. All tolerance are +/-0.050 unless otherwise specified.
4. Typ : Typical
5. Y is coplanarity : 0.08(Max)