

1550 NM TAP COUPLER/ISOLATOR HYBRID COMBINATION

TCIH Series

Features

- Wide Operating Wavelength Range
- Compact Size
- High Isolation
- Ultra Low PDL & PMD
- Highly Stable & Reliable
- Epoxy-Free Optical Path

Applications

- Fiberoptic Amplifiers
- CATV Fiberoptic Links
- Systems Monitoring
- Fiberoptic Instruments
- Transmitters and Fiber Lasers
- Laboratory R&D

1550 NM TAP COUPLER/ISOLATOR HYBRID COMBINATION

Oplink's TCIH is a combination of partial reflection filter and a polarization insensitive optical isolator. The TCIH is a low cost model with excellent performance including low insertion loss, high isolation, high return loss, low polarization dependent loss (PDL), and low polarization mode dispersion (PMD). This product is suitable for EDFA and fiberoptic amplification applications.



Performance Specifications

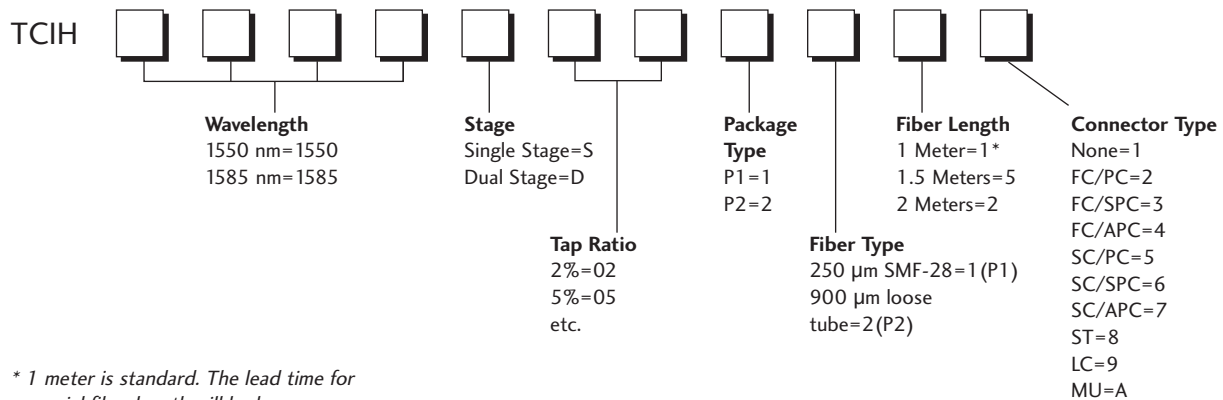
| TCIH Series | | Single Stage | Dual Stage | Unit |
|---|-------------------|---------------------|-------------|------|
| Operating Wavelength λ O | | C band: 1528 ~ 1564 | | nm |
| | | L band: 1570 ~ 1605 | | nm |
| Isolation (Min.) (over wavelength range 0 ~ 70°C, all SOP) | | 21 | 36 | dB |
| Insertion Loss (Max.) (over wavelength range and 0 to +70°C, all SOP) | Signal Channel | 0.9 | 1.1 | dB |
| | Nominal Tap Ratio | 2% | 16.2 ~ 18.0 | dB |
| | | 5% | 12.2 ~ 14.0 | dB |
| WDL(Max.) | | 0.3 | 0.4 | dB |
| Return Loss(Min.) | | 55 | | dB |
| PDL(Max.) | | 0.1 | | dB |
| PMD(Max.) | | 0.25 | 0.05 | ps |
| Directivity(Min.) | | | 55 | dB |
| Maximum Power Handling | | | 500 | mW |
| Operation Temperature | | | 0 to +70 | °C |
| Storage Temperature | | | -40 to 85 | °C |
| Package Dimension* | | P1: (ø)5.5 x (L)34 | | mm |
| | | P2: (ø)5.5 x (L)40 | | mm |

Values are referenced without connector loss

* The mechanical tolerance should be +/- 0.2 mm on all package dimensions unless otherwise custom specified.

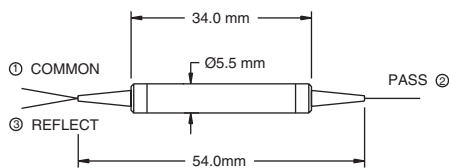
Ordering Information

Oplink custom designs and manufactures high performance fiber optic networking components and integrated optical modules. Oplink can provide a remarkable range of customized optical solutions to meet your specific design needs. By combining our technical expertise with our extensive micro-optic manufacturing and packaging capability, your volume requirements for components and customized integrated products can be met. We are happy to discuss your requirements. Please contact Oplink's OEM Design Team or Sales Representative for ordering and price information (408) 965-7270.

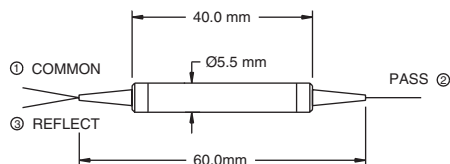


Package Dimensions:

(a) P1: SMF-28 bare fiber



(b) P2: 900 μ m loose tube



Configuration:

