

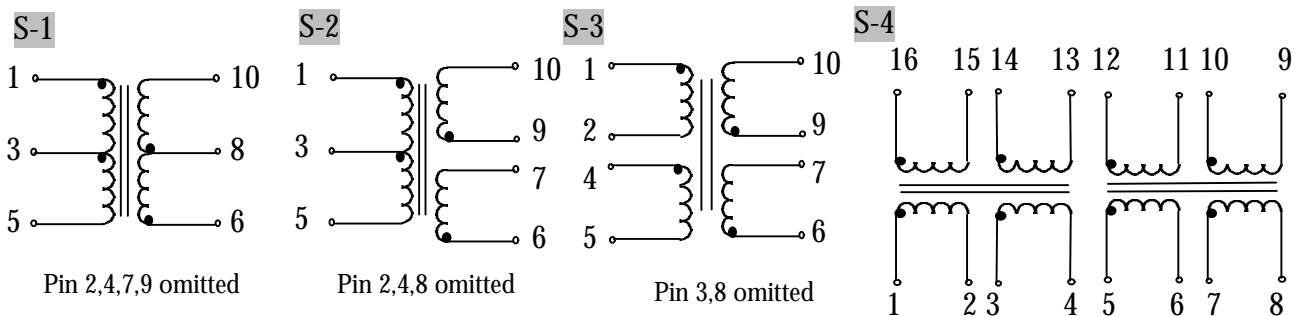


- ◆ Meet CCITT.I-430 designed.
- ◆ 60dB min, Longitudinal Balance 10-300KHz..
- ◆ High isolation voltage 2,000Vrms.

Specification :

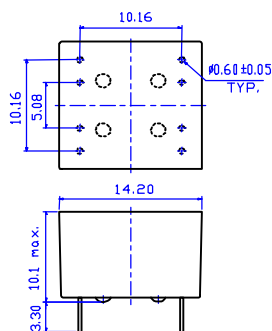
Part No	Turn Ratio	OCL (mH)min.	L _L (uh)max	C _{ww} (pf)max	DCR Pri (Ω)max	DCR sec (Ω)max	Package	Schematic
SD001	1:1	22	5	130	2.40	2.40	D-1	S-1
SD002	1:1.8	22	15	120	2.40	4.60	D-1	S-2
SD003	1:2	22	15	120	2.50	5.00	D-1	S-1
SD004	1:2.5	22	30	125	2.50	5.80	D-1	S-2
SD005	1:2	22	35	120	2.50	5.00	D-1	S-1
SD006	1:2.5	22	35	120	2.50	5.80	D-1	S-3
SDD493	1:1	22	5	130	2.40	2.40	D-2	S-4
SDD494	1:1.8	22	15	120	2.40	4.60	D-2	S-4
SDD495	1:2	22	15	120	2.50	5.00	D-2	S-4
SDD498	1:2.5	22	35	120	2.50	5.80	D-2	S-4
SDD499	1:2	22	35	120	2.50	5.00	D-2	S-4

Schematic :



Dimension :

D-1



D-2

