

15 to 30 watt / 3" x 2.60" x 0.82" Package

EP series/Triple outputs

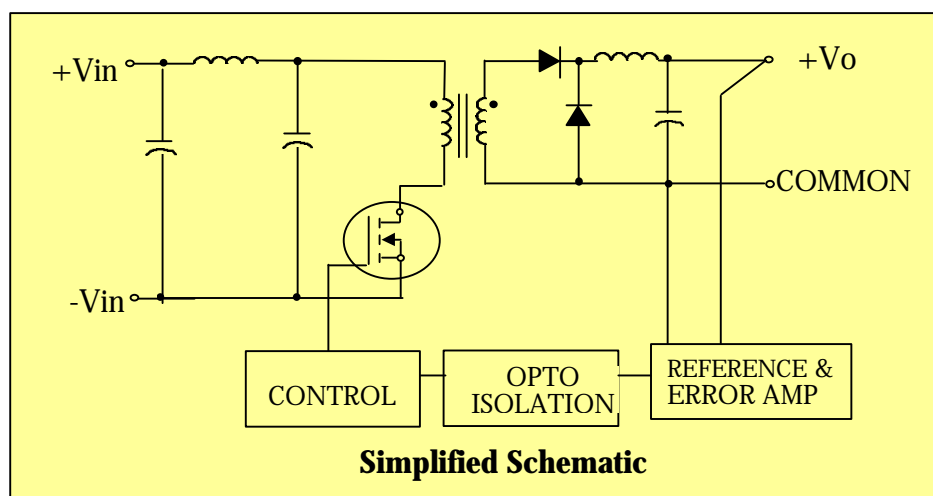
YCL

Feature:

- Very Low Cost
- Triple outputs
- 4:1 & 2:1 input range
- High efficiency
- Industry-standard package and pinout
- 500Vdc Input/Output Isolation
- On/off control and Vout trim
- No External Components required

Specifications: At 25°C

Input Specifications:	General Specifications:
Input Voltage Range: See Table	Isolation Voltage: 500Vdc
Input Filter: Pi-type	Efficiency: see table
On/Off Control: TTL high(or open)=on TTL low= off	Switching Frequency: 100KHz typical
	Isolation Resistance: 1000M ohm
Output Specifications:	Environmental Specifications:
Output Voltage & Current: see table	Operating Temperature: -25 to + 71°C
Voltage Accuracy: $\pm 2\%$ max	Storage Temperature: -40 to +105°C
Line Regulation(at full load): $\pm 0.5\%$ max	Cooling: Free air convection
Load Regulation (at full load to 1/4 load): +5V output: $\pm 1\%$ max Other outputs: $\pm 2.5\%$ max	Derating: See Derating Curve
	Humidity Non-Condensing: 20 to 95% RH
	Physical Specifications:
Temperature Coefficient: $\pm 0.05\%/^{\circ}\text{C}$ max	Case Material: Black coated copper with non-conductive plastic base
Ripple & Noise(20Mhz BW): 1% p-p max	Pin Material: Brass, solder coated
Short Circuit Protection: Power fold back	Weight: 210grams typical
Over load protection: Build-in	



15 to 30 watt / 3" x 2.60" x 0.82" Package

YCL

EP series/Triple outputs

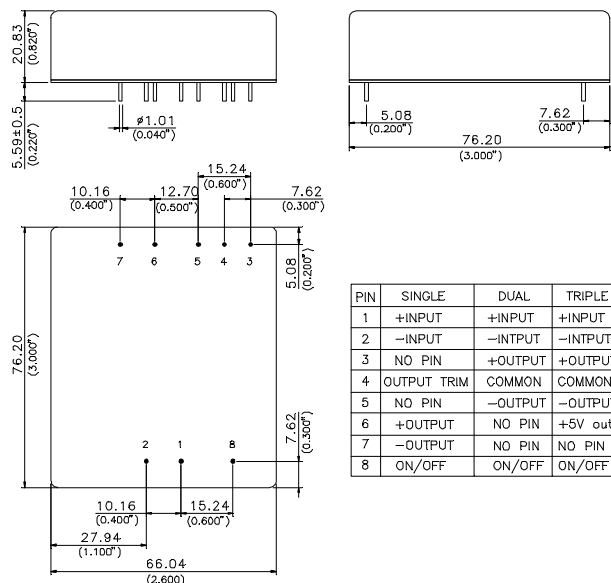
Model Selection Table:

Model no.	Input			Output		Efficiency Typical① %	Package	External Fuse② (A)
	Voltage (Vdc)	Current(mA)		Voltage (Vdc)	Current (mA)			
		No-Load	Full-Load					
EP1205S12D	9-18	90	1660	+5/±12	1500/±310	75	EP	4
EP1205S15D	9-18	90	1645	+5/±15	1250/±250	76	EP	4
EP1205D12S	9-18	90	1465	+5/+12/-5	1500/310/500	78	EP	4
EP2405S12D	18-36	60	800	+5/±12	1500/±310	78	EP	2
EP2405S15D	18-36	60	810	+5/±15	1250/±250	77	EP	2
EP2405D12S	18-36	60	730	+5/+12/-5	1500/310/500	78	EP	2
EP4805S12D	36-72	35	415	+5/±12	1500/±310	75	EP	1
EP4805S15D	36-72	35	400	+5/±15	1250/±250	78	EP	1
EP4805D12S	36-72	35	360	+5/+12/-5	1500/310/500	79	EP	1
EP41205S12D	9-36	40	1575	+5/±12	1500/±310	79	EP	4
EP41205S15D	9-36	40	1645	+5/±15	1250/±250	76	EP	4
EP41205D12S	9-36	40	1525	+5/+12/-5	1500/310/500	75	EP	4
EP42405S12D	20-72	30	830	+5/±12	1500/±310	75	EP	2
EP42405S15D	20-72	30	820	+5/±15	1250/±250	76	EP	2
EP42405D12S	20-72	30	740	+5/+12/-5	1500/310/500	77	EP	2
EP3041201	9-36	90	3265	+5/±12	3000/±600	75	EP	8
EP3041202	9-36	90	3335	+5/±15	3000/±500	75	EP	8
EP3041203	9-36	90	3020	+5/+12/-5	3000/600/1000	75	EP	8
EP3042401	20-72	50	1570	+5/±12	3000/±600	78	EP	4
EP3042402	20-72	50	1600	+5/±15	3000/±500	78	EP	4
EP3042403	20-72	50	1435	+5/+12/-5	3000/600/1000	79	EP	4

①Efficiency is specified at nominal input voltage and full load.

②Certain applications may require the installation of external fuse in front of the input.

Package EP:



Unit: mm(inch)±0.25(0.010)

Power Derating Curve

