

**10watt / 2" x 2" x 0.82" Package/500Vdc isolation  
600 series/2:1 input range**

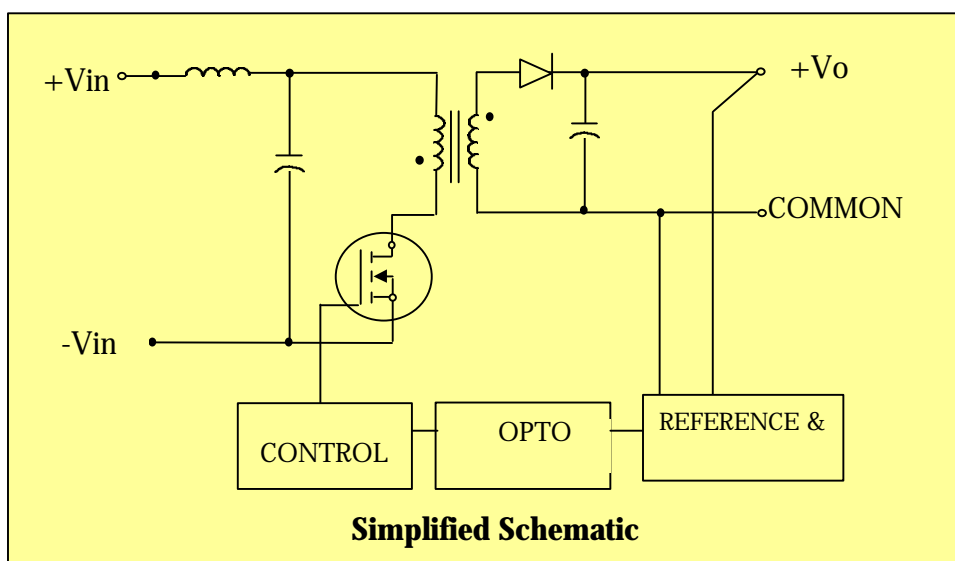
**YCL**

**Feature:**

- Low Cost
- 2:1 input range
- Industry-standard package and pinout
- 500Vdc Input/Output Isolation
- Single and Dual Outputs
- No External Components required

**Specifications: At 25°C**

Input Specifications:	General Specifications:
Input Voltage Range: See Table	Isolation Voltage: 500Vdc
Input Filter: LC type	Efficiency: see table
Output Specifications:	Switching Frequency: 50KHz typical
Output Voltage & Current: see table	Isolation Resistance: 1000M ohm
Voltage Accuracy: $\pm 2\%$ max	Environmental Specifications:
Line Regulation(at full load): $\pm 1\%$ max	Operating Temperature: -25 to + 71°C
Load Regulation (at full load to 1/4 load): Single output: $\pm 1\%$ max Dual output: $\pm 2.5\%$ max	Storage Temperature: -40 to +105°C
	Cooling: Free air convection
Temperature Coefficient: $\pm 0.05\%/^{\circ}\text{C}$ max	Derating: See Derating Curve
Ripple & Noise(20Mhz BW): 1% p-p max	Humidity Non-Condensing: 20 to 95% RH
Short Circuit Protection: Power fold back	Physical Specifications:
Over load protection: Build-in	Case Material: Black coated copper with non-conductive plastic base
	Weight: 65grams typical



**10watt / 2" x 2" x 0.82" Package / 500Vdc isolation**  
**600 series / 2:1 input range**

**YCL**

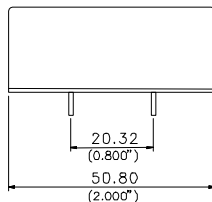
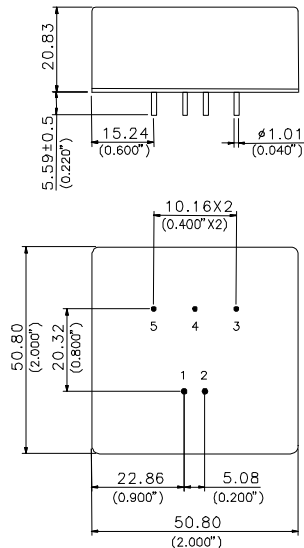
**Model Selection Table:**

Model no.	Input			Output		Efficiency Typical <sup>①</sup> %	Package	External Fuse <sup>②</sup> (A)
	Voltage (Vdc)	Current(mA)		Voltage (Vdc)	Current (mA)			
		No-Load	Full-Load					
DC-2WR608	9-18	110	1260	5	2000	66	E1	3
DC-2WR610	9-18	110	1195	12	800	67	E1	3
DC-2WR611	9-18	130	1250	±12	±400	64	E1	3
DC-2WR612	9-18	125	1260	±15	±333	66	E1	3
DC-2WR613	18-36	70	670	5	2000	62	E1	1.5
DC-2WR614	18-36	55	550	12	800	73	E1	1.5
DC-2WR615	18-36	55	555	15	667	75	E1	1.5
DC-2WR616	18-36	120	645	±12	±400	62	E1	1.5
DC-2WR617	18-36	125	630	±15	±333	66	E1	1.5
DC-2WR618	36-72	35	320	5	2000	65	E1	1
DC-2WR619	36-72	30	290	12	800	69	E1	1
DC-2WR620	36-72	30	300	15	667	69	E1	1
DC-2WR621	36-72	60	290	±12	±400	69	E1	1
DC-2WR622	36-72	60	310	±15	±333	67	E1	1

①Efficiency is specified at nominal input voltage and full load.

②Certain applications may require the installation of external fuse in front of the input.

**Package E1:**



PIN	SINGLE	DUAL
1	+INPUT	+INPUT
2	-INPUT	-INPUT
3	-OUTPUT	-OUTPUT
4	NO PIN	COMMON
5	+OUTPUT	+OUTPUT

Unit: mm(inch)±0.25(0.010)

**Power Derating Curve**

