

**5watt / 2" x 2" x 0.45" Package / 500Vdc isolation**  
**500 series / 2:1 input range**

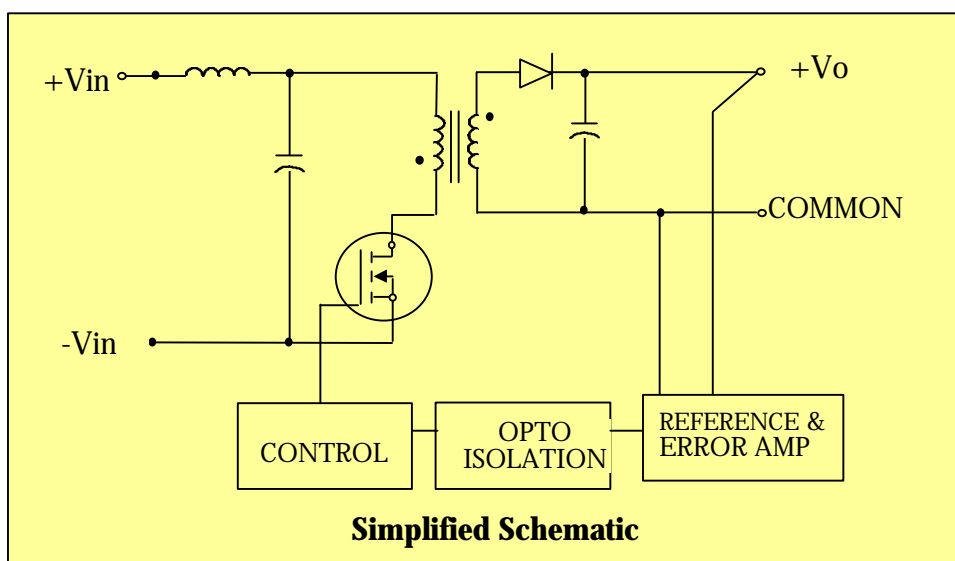
**YCL**

**Feature:**

- Low Cost
- 2:1 input range
- Industry-standard package and pinout
- 500Vdc Input/Output Isolation
- Single and Dual Outputs
- No External Components required

**Specifications: At 25°C**

<b>Input Specifications:</b>	<b>General Specifications:</b>
Input Voltage Range: See Table	Isolation Voltage: 500Vdc
Input Filter: LC type	Efficiency: see table
<b>Output Specifications:</b>	Switching Frequency: 50KHz typical
Output Voltage & Current: see table	Isolation Resistance: 1000M ohm
Voltage Accuracy: $\pm 2\%$ max	<b>Environmental Specifications:</b>
Line Regulation(at full load): $\pm 1\%$ max	Operating Temperature: -25 to + 71°C
Load Regulation (at full load to 1/4 load):	Storage Temperature: -40 to +105°C
Single output: $\pm 1\%$ max	Cooling: Free air convection
Dual output: $\pm 2.5\%$ max	Derating: See Derating Curve
Temperature Coefficient: $\pm 0.05\%/^{\circ}\text{C}$ max	Humidity Non-Condensing: 20 to 95% RH
Ripple & Noise(20Mhz BW): 1% p-p max	<b>Physical Specifications:</b>
Short Circuit Protection: Power fold back	Case Material: Black coated copper with non-conductive plastic base
Over load protection: Build-in	Weight: 65grams typical



**5watt / 2" - 2" - 0.45" Package / 500Vdc isolation**  
**500 series / 2:1 input range**

**YCL**

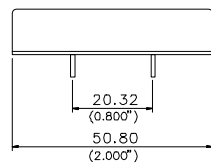
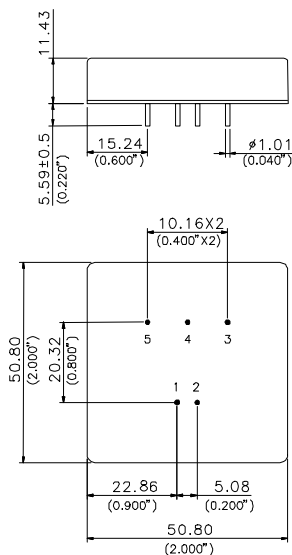
**Model Selection Table:**

Model no.	Input			Output		Efficiency Typical <sup>①</sup> %	Package	External Fuse <sup>②</sup> (A)
	Voltage (Vdc)	Current(mA)		Voltage (Vdc)	Current (mA)			
		No-Load	Full-Load					
DC-2WR502	4.5-6.0	165	1665	5	1000	60	E	4
DC-2WR503	4.5-6.0	155	1550	12	400	62	E	4
DC-2WR504	4.5-6.0	145	1425	15	333	70	E	4
DC-2WR506	4.5-6.0	175	1550	±12	±200	62	E	4
DC-2WR507	4.5-6.0	170	1540	±15	±167	65	E	4
DC-2WR508	9-18	50	595	5	1000	70	E	2
DC-2WR510	9-18	60	590	12	400	68	E	2
DC-2WR511	9-18	120	615	±12	±200	65	E	2
DC-2WR512	9-18	80	625	±15	±167	67	E	2
DC-2WR513	18-36	35	310	5	1000	67	E	1
DC-2WR514	18-36	30	290	12	400	69	E	1
DC-2WR515	18-36	30	290	15	333	72	E	1
DC-2WR516	18-36	40	310	±12	±200	64	E	1
DC-2WR517	18-36	40	320	±15	±167	65	E	1
DC-2WR518	36-72	15	155	5	1000	67	E	0.5
DC-2WR519	36-72	15	150	12	400	67	E	0.5
DC-2WR520	36-72	15	150	15	333	69	E	0.5
DC-2WR521	36-72	30	160	±12	±200	63	E	0.5
DC-2WR522	36-72	35	165	±15	±167	63	E	0.5

①Efficiency is specified at nominal input voltage and full load.

②Certain applications may require the installation of external fuse in front of the input.

**Package E:**



PIN	SINGLE	DUAL
1	+INPUT	+INPUT
2	-INPUT	-INPUT
3	-OUTPUT	-OUTPUT
4	NO PIN	COMMON
5	+OUTPUT	+OUTPUT

Unit: mm(inch)±0.25(0.010)

Power Derating Curve

