



Features and Benefits

- OFNP, FT-6 plenum ratings
- Small, flexible lightweight design
- Low cost cables, easy to install
- Available with up to 48 fibers

Applications

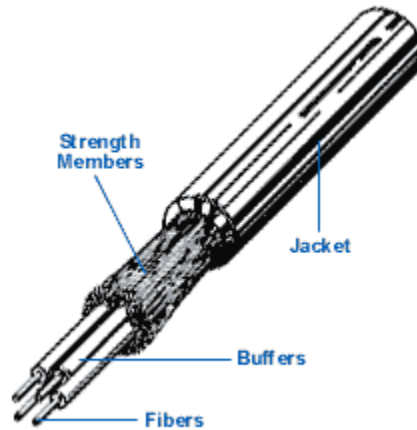
- Horizontal/overhead cabling
- Computer networks
- Fiber to the desk
- Any installation requiring UL or CSA Plenum listings

TPP Premise Plenum Cables

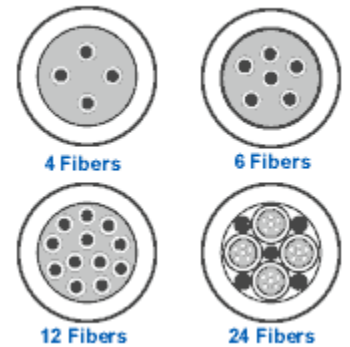


TPP Premise Plenum Cables are designed for overhead, air space applications where small size, excellent transmission properties and flame retardancy are required. The design consists of (900 μm) tight buffered fibers with a flame retardant overall jacket. For 2-12 fiber cables, individually color coded fibers and the required aramid yarn are bundled within the flexible jacket. Cables with more than 12 fibers are assembled in sub-groups and these are then put together to form the final cable.

Tight buffered, premise cables can be directly terminated. In areas with little protection or where many changes may have to be made, breakout kits are recommended and available.



Typical Cross Sections



MECHANICAL SPECIFICATIONS

No. of Fibers	GP Part Number*	Nom. Cable Diameter Inch (mm)	Nom. Cable Weight Lbs/1000' (kg/km)	Max. Tensile Load		Min. Bend Radius	
				Installation Lbsf (N)	In-service Lbsf (N)	Installation Inch (cm)	In-Service Inch (cm)
2	XX0021PNU	0.171 (4.3)	12 (18)	225 (1000)	65 (290)	3.4 (8.6)	1.7 (4.3)
4	XX0041PNU	0.181 (4.6)	13 (19)	315 (1400)	112 (500)	3.6 (9.1)	1.8 (4.6)
6	XX0061PNU	0.195 (5.0)	16 (24)	315 (1400)	112 (500)	3.9 (9.9)	2.0 (5.1)
8	XX0081PNU	0.205 (5.2)	18 (27)	315 (1400)	112 (500)	4.1 (10.4)	2.1 (5.3)
10	XX0101PNU	0.221 (5.6)	20 (30)	315 (1400)	112 (500)	4.4 (11.2)	2.2 (5.6)
12	XX0121PNU	0.227 (5.8)	22 (33)	315 (1400)	112 (500)	4.5 (11.4)	2.3 (5.8)
18	XX0181PNU	0.427 (10.8)	70 (104)	600 (2670)	135 (600)	8.5 (21.6)	4.3 (10.9)
24 (oval)	XX0241PNU 12F x 2S	0.216 x 0.486 (5.5) x (12.3)	62 (92)	600 (2670)	135 (600)	5.2† (13.2)	2.6† (6.6)
24	XX0241P1D	0.474 (12.0)	91 (135)	600 (2670)	135 (600)	9.5 (24.1)	4.7 (11.9)
36	XX0361P1D	0.558 (14.2)	118 (176)	800 (3560)	180 (800)	11.1 (28.3)	5.6 (14.2)
48	XX0481P1D	0.603 (15.3)	155 (232)	1000 (4450)	225 (1000)	12.1 (30.6)	6.6 (16.8)

* XX denotes fiber type

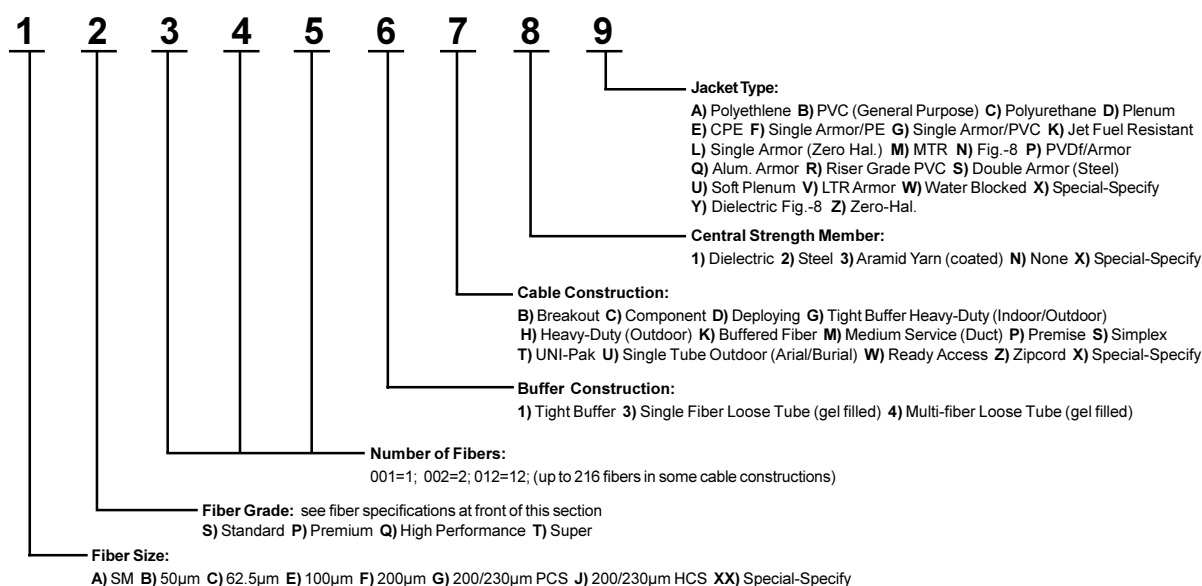
† Using minor diameter

GENERAL SPECIFICATIONS

- **Temperature:**
 - 40°C (-40°F) to 80°C (176°F) Storage
 - 20°C (-4°F) to 80°C (176°F) In-Service
- **Ratings:**
 - UL-910 OFNP per
 - NEC 770-51(a) and 770-53(a)
- **Central Strength Member:**
 - (above 12 fibers)
 - Epoxy/glass rod
- **Cable Core:**
 - Tight buffered fibers
- **Outer Strength Members:**
 - Aramid fiber yarn
- **Jacket:**
 - Flame retardant PVC or Fluoropolymer
- **Maximum Crush Resistance:**
 - 850 Lbsf/inch (1485 N/cm)
- **Maximum Vertical Rise:**
 - 1640 feet (500 meters)

ORDERING INFORMATION

Cable Part Numbering System



Color Coding

All BICC General cables, unless customized, follow the industry standard color code system for easy identification. Cables with 12 or fewer individual components will follow the color sequence: Blue, Orange, Green, Brown, Slate White, Red, Black, Yellow, Violet, Pink, Aqua.

For cables having more than 12 fibers, grouping is done following the same sequence for the subgroup and for the fibers within it. Example: 24 fiber loose tube cable with six fibers in each of four tubes—Tube colors will be blue, orange, green and brown. Each tube will have one each of fibers in the first six colors (blue, orange, green, brown, slate, white). Fibers are then identified by tube color/fiber color—blue/white being the white fiber in the blue tube.

When cables have more than 144 fibers, a black stripe is added to each of the first six colors in order to make 18 recognizable subgroups.

In some cable designs, jacketed subgroups may be numbered for identification in lieu of color coding.

FOR ADDITIONAL INFORMATION ON THIS OR OTHER PRODUCTS AND THEIR AVAILABILITY, PLEASE CONTACT FIBER OPTIC CENTER, INC.