



24X/24E UtilityLED™ Lamps

Features

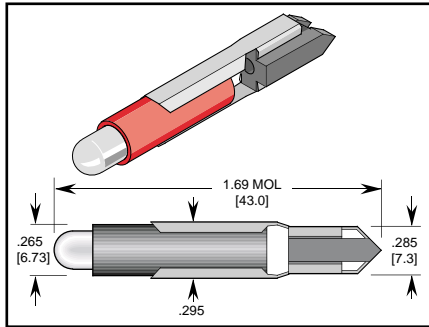
- Replaces T2-#2 Teleslide Incandescent Lamp #24X, #24E
- Long Life 100,000+ hrs (10 years)
- Solid-State, High Shock/Vibration Resistant
- Maintenance Free, Easy Installation

- Low Power, High Intensity
- Major Power Savings
- Major Reduction in Heat Generation
- Built-in Current Limiting Resistor Including External Resistor

Options

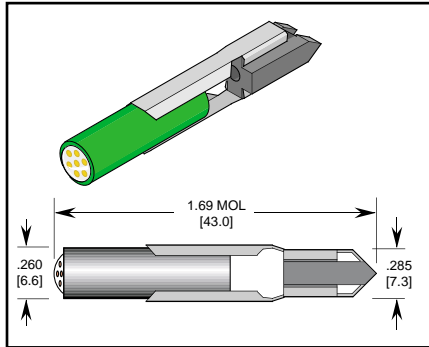
- Special Voltages
- Other Industry Standard Bases
- Choice of Multichips and Multi-LED Clusters
- Sunlight Visible Super Bright

T2- #2 Telephone Slide, Single Chip, Super Bright



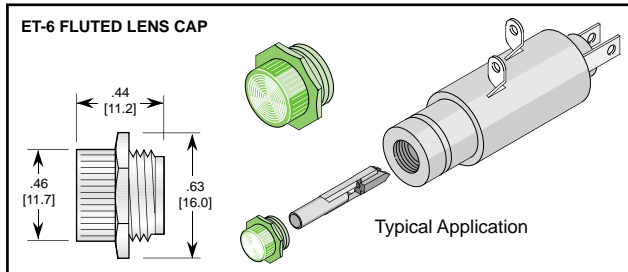
Part Number	Color	Circuit Rating Volts	Circuit Voltage		External Series Resistor OHMs	Incandescent Lamp Number	Incandescent Lamp Voltage Rating	Color Code (-0XX) / (1XX)
			Min	Max				
UTL24X-0XX	SEE CHART	24VDC	22	28	110	24E / 24X	28V	UR ● RED UO ● ORANGE UY ● YELLOW IW ● INC. WHITE CW ● COOL WHITE AG ● GREEN UB ● BLUE
UTL24X-1XX	SEE CHART	48VDC	44	56	900	24E / 24X	28V	
		67VAC	55	76	1500			
		115VAC	95	130	2800			
		125VDC	110	140	3300			
		230VAC	220	280	6300			
250VDC	220	280	7200					

T2- #2 Telephone Slide, Multi-chip, High Intensity

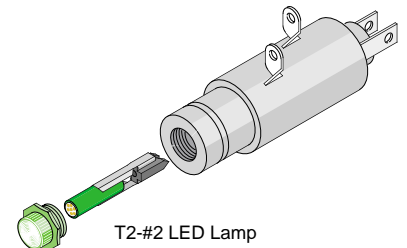


Part Number	Color	Circuit Rating Volts	Circuit Voltage		External Series Resistor OHMs	Incandescent Lamp Number	Incandescent Lamp Voltage Rating	Color Code (-0XX) / (1XX)
			Min	Max				
BSD-1010-0XX	SEE CHART	24VDC	22	28	110	24E / 24X	28V	001 ● ULTRA-RED 002 ● HI-EFF RED 003 ● ORANGE 004 ● YELLOW 005 ● LIME YELLOW 006 ● GREEN 007 ● PURE GREEN 008 ● BLUE 026 ● PALE WHITE
		48VDC	44	56	900			
		67VAC	55	76	1500			
		115VAC	95	130	2800			
		125VDC	110	140	3300			
		230VAC	220	280	6300			
		250VDC	220	280	7200			

Replacement Lens Caps for ET-5 and ET-6 Holders



Part Number	Color
RPNL-1040-001A	WATER CLEAR ●
RPNL-1040-101A	CLOUDY CLEAR ●
RPNL-1040-022A	RED ●
RPNL-1040-044A	AMBER ●
RPNL-1040-055A	YELLOW ●
RPNL-1040-066A	GREEN ●
RPNL-1040-088A	BLUE ●

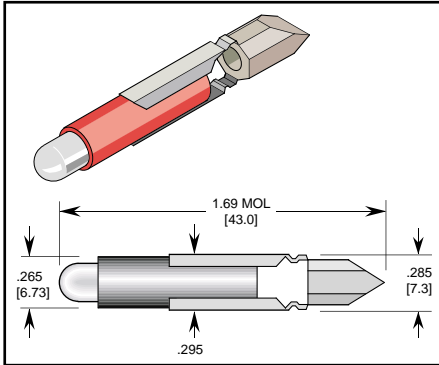




Energy Efficient Direct Incandescent Replacement 24E1/24EX UtilityLED™ Lamps

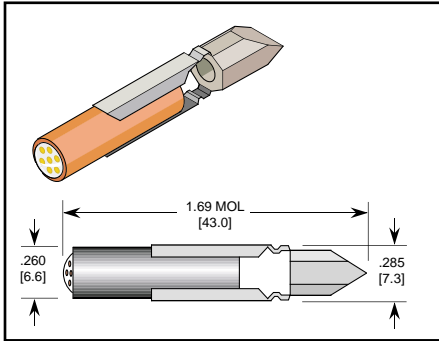
Direct Replacement LED Lamp for GE ET-6 Lampholders

T2- #1 Telephone Slide, Single Chip, Super Bright



Part Number	Color	Circuit Rating Volts	Circuit Voltage		External Series Resistor OHMs	Incandescent Lamp Number	Incandescent Lamp Voltage Rating	Color Code (-0XX) / (1XX)
			Min	Max				
UTL24E-0XX	SEE CHART	24VDC	22	28	110	24E1 24EX	28V	UR ● RED UO ● ORANGE UY ● YELLOW IW ● INC. WHITE CW ● COOL WHITE AG ● GREEN UB ● BLUE
UTL24E-1XX	SEE CHART	48VDC	44	56	900			
		67VAC	55	76	1500			
		115VAC	95	130	2800			
		125VDC	110	140	3300			
		230VAC	220	280	6300			
		250VDC	220	280	7200			

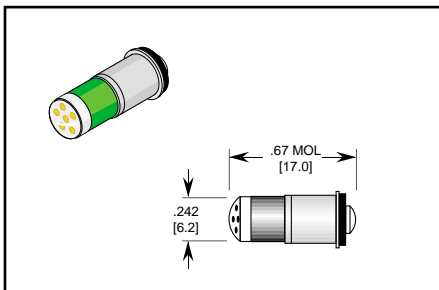
T2- #1 Telephone Slide, Multi-chip, High Intensity



Part Number	Color	Circuit Rating Volts	Circuit Voltage		External Series Resistor OHMs	Incandescent Lamp Number	Incandescent Lamp Voltage Rating	Color Code (-0XX) / (1XX)
			Min	Max				
BSD-1174-0XX	SEE CHART	24VDC	22	28	110	24E1 24EX	28V	001 ● ULTRA-RED 002 ● HI-EFF RED 003 ● ORANGE 004 ● YELLOW 005 ● LIME YELLOW 006 ● GREEN 007 ● PURE GREEN 008 ● BLUE 026 ● PALE WHITE
		48VDC	44	56	900			
		67VAC	55	76	1500			
		115VAC	95	130	2800			
		125VDC	110	140	3300			
		230VAC	220	280	6300			
		250VDC	220	280	7200			

Direct Replacement LED Lamp for Microswitch PWT2303, 2313, 2443, 5303, 5313, 5343

T1 3/4 Midget Flange, Multi-chip, High Intensity



Part Number	Color	Circuit Rating Volts	Circuit Voltage		External Series Resistor OHMs	Incandescent Lamp Number	Incandescent Lamp Voltage Rating	Color Code (-0XX) / (1XX)
			Min	Max				
UTL387-0XX	SEE CHART	24VDC	22	28	110	327 387	28V	001 ● ULTRA-RED 002 ● HI-EFF RED 003 ● ORANGE 004 ● YELLOW 005 ● LIME YELLOW 006 ● GREEN 007 ● PURE GREEN 008 ● BLUE 026 ● PALE WHITE
UTL387-1XX	SEE CHART	48VDC	44	56	900			
		67VAC	55	76	1500			
		115VAC	95	130	2800			
		125VDC	110	140	3300			
		230VAC	220	280	6300			
		250VDC	220	280	7200			