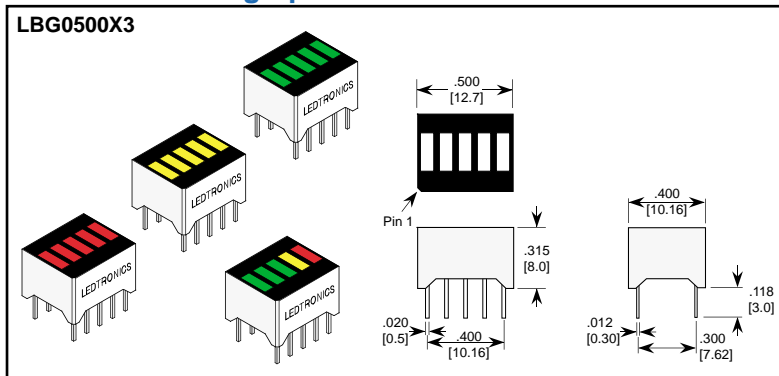




5 LED Linear Bargraph



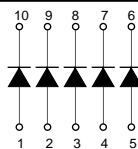
Note: Segment color is white when off

Part Selection

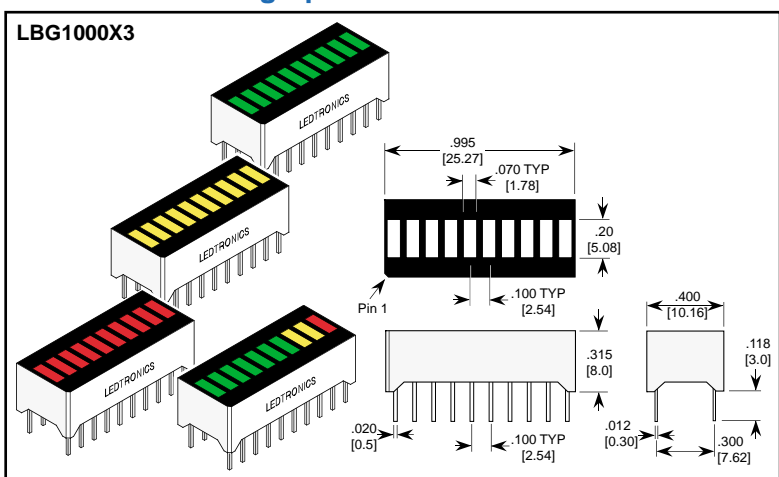
Part Number	Color	Lens Type/ Color	Electrical-Optical Characteristics (Ta = 25°C)			
			If = mA typ	Iv mcd typ	Vf = V typ/max	λP nm
LBG0500R6B	UL RED	MILKY WHITE	10	8.0	1.7/2.5	660
LBG0500R3B	HE RED		10	5.0	1.9/2.5	635
LBG0500Y3B	YELLOW		10	4.5	2.0/2.5	585
LBG0500G3B	HE GREEN		10	5.0	2.1/2.5	565

Custom Mixed Color Part Number Example: LBG0500T3-3G1Y1R

- 1) Black face bargraphs are illustrated and listed as Part Numbers.
- 2) Grey face bargraphs are available. When ordering grey, remove the last "B" from the Part Number in this table's left column.



10 LED Linear Bargraph



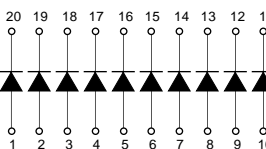
Note: Segment color is white when off

Part Selection

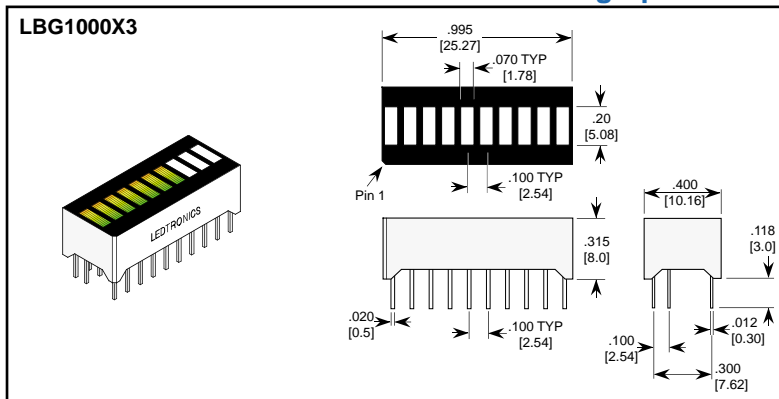
Part Number	Color	Lens Type/ Color	Electrical-Optical Characteristics (Ta = 25°C)			
			If = mA typ	Iv mcd typ	Vf = V typ/max	λP nm
LBG1000R6B	UL RED	MILKY WHITE	10	8.0	1.7/2.5	660
LBG1000R3B	HE RED		10	5.0	1.9/2.5	635
LBG1000Y3B	YELLOW		10	4.5	2.0/2.5	585
LBG1000G3B	HE GREEN		10	5.0	2.1/2.5	565

Custom Mixed Color Part Number Example: LBG1000T3-7G2Y1R

- 1) Black face bargraphs are illustrated and listed as Part Numbers.
- 2) Grey face bargraphs are available. When ordering grey, remove the last "B" from the Part Number in this table's left column.



10 LED Tri-Color HE Red/Green Linear Bargraph



Note: Segment color is white when off

Part Selection

Part Number	Color	Lens Type/ Color	Electrical-Optical Characteristics (Ta = 25°C)			
			If = mA typ	Iv mcd typ	Vf = V typ/max	λP nm
LBG1000RG3B	HE RED	MILKY WHITE	10	4.8	1.9/2.5	635
	HE GREEN		10	4.8	2.1/2.5	568

- 1) Black face bargraphs are illustrated and listed as Part Numbers.
- 2) Grey face bargraphs are available. When ordering grey, remove the last "B" from the Part Number in this table's left column.

