

## Fast 8K x 8 SRAM

### Features

- Fast 8192 x 8 bit static CMOS RAM
- 20 ns, 25 ns, 35 ns Access Times
- Bidirectional data inputs and data outputs
- Three-state outputs
- Data retention current at 3 V: < 10  $\mu$ A (standard)
- Standby current standard < 30  $\mu$ A
- Standby current low power (L) < 5  $\mu$ A
- TTL/CMOS-compatible
- Automatic reduction of power dissipation in long Read or Write cycles
- Power supply voltage 5 V
- Operating temperature ranges:
  - 0 to 70  $^{\circ}$ C
  - 25 to 85  $^{\circ}$ C
  - 40 to 85  $^{\circ}$ C
- Quality assessment according to CECC 90000, CECC 90100 and CECC 90111
- ESD protection > 2000 V (MIL STD 883C M3015.7)

- Latch-up immunity > 200 mA
- Packages: PDIP28 (300 mil)  
SOJ28 (300 mil)

### Description

The U62H64 is a static RAM manufactured using a CMOS process technology with the following operating modes:

- Read                   - Standby
- Write                  - Data Retention

The memory array is based on a 6-transistor cell.

The circuit is activated by the rising edge of E2 (at  $\overline{E1} = L$ ), or the falling edge of  $\overline{E1}$  (at E2 = H). The address and control inputs open simultaneously.

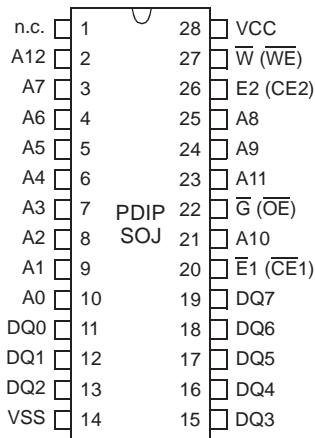
According to the information of  $\overline{W}$  and  $\overline{G}$ , the data inputs, or outputs, are active. During the active state ( $\overline{E1} = L$  and E2 = H), each address change leads to a new Read or Write cycle. In a Read cycle, the data outputs are activated by the falling edge of  $\overline{G}$ , afterwards the data word read will be available at

the outputs DQ0 - DQ7. After the address change, the data outputs go High-Z until the new read information is available. The data outputs have no preferred state. If the memory is driven by CMOS levels in the active state, and if there is no change of the address, data input and control signals  $\overline{W}$  or  $\overline{G}$ , the operating current (at  $I_O = 0$  mA) drops to the value of the operating current in the Standby mode. The Read cycle is finished by the falling edge of E2 or  $\overline{W}$ , or by the rising edge of  $\overline{E1}$ , respectively.

Data retention is guaranteed down to 2 V.

With the exception of  $\overline{E1}$  and E2, all inputs consist of NOR gates, so that no pull-up/pull-down resistors are required. This gate circuit allows to achieve low power standby requirements by activation with TTL-levels too.

### Pin Configuration



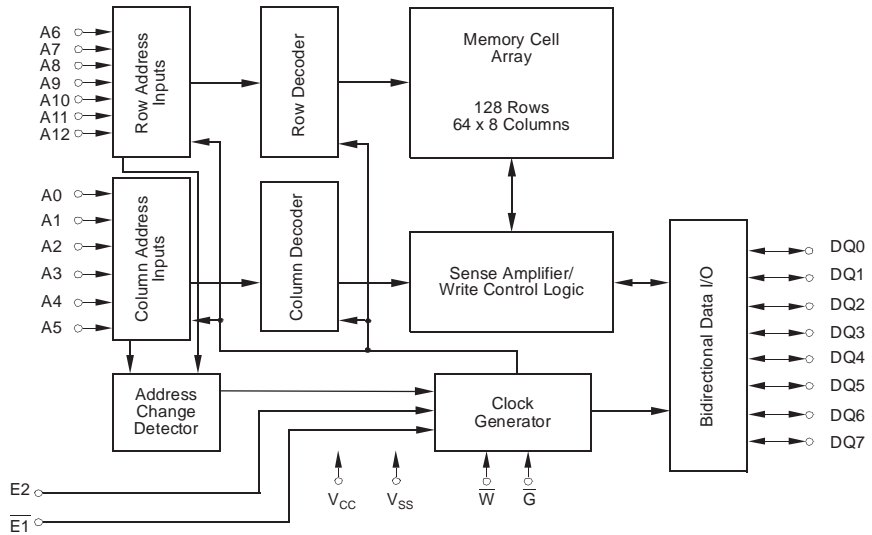
Top View

### Pin Description

Signal Name	Signal Description
A0 - A12	Address Inputs
DQ0 - DQ7	Data In/Out
$\overline{E1}$	Chip Enable 1
E2	Chip Enable 2
$\overline{G}$	Output Enable
$\overline{W}$	Write Enable
VCC	Power Supply Voltage
VSS	Ground
n.c.	not connected

# U62H64

## Block Diagram



## Truth Table

Operating Mode	$\overline{E1}$	E2	$\overline{W}$	$\overline{G}$	DQ0 - DQ7
Standby/not selected	*	L	*	*	High-Z
	H	*	*	*	High-Z
Internal Read	L	H	H	H	High-Z
Read	L	H	H	L	Data Outputs Low-Z
Write	L	H	L	*	Data Inputs High-Z

\* H or L

## Characteristics

All voltages are referenced to  $V_{SS} = 0$  V (ground).

All characteristics are valid in the power supply voltage range and in the operating temperature range specified.

Dynamic measurements are based on a rise and fall time of  $\leq 3$  ns, measured between 10 % and 90 % of  $V_I$ , as well as input levels of  $V_{IL} = 0$  V and  $V_{IH} = 3$  V. The timing reference level of all input and output signals is 1.5 V, with the exception of the  $t_{dis}$ -times and  $t_{er}$ -times, in which cases transition is measured  $\pm 200$  mV from steady-state voltage.

Maximum Ratings	Symbol	Min.	Max.	Unit
Power Supply Voltage	$V_{CC}$	-0.3	7	V
Input Voltage	$V_I$	-0.3	$V_{CC} + 0.5$	V
Output Voltage	$V_O$	-0.3	$V_{CC} + 0.5$	V
Operating Temperature	C-Type	$T_a$	0	$^{\circ}\text{C}$
	G-Type		-25	$^{\circ}\text{C}$
	K-Type		-40	$^{\circ}\text{C}$
Storage Temperature	$T_{stg}$	-55	125	$^{\circ}\text{C}$
Output Short-Circuit Current at $V_{CC} = 5$ V and $V_O = 0$ V*	$ I_{OS} $		300	mA

\* Not more than 1 output should be shorted at one time. Duration of the short circuit should not exceed 30 s.

Recommended Operating Conditions	Symbol	Conditions	Min.	Max.	Unit
Power Supply Voltage	$V_{CC}$		4.5	5.5	V
Data Retention Voltage	$V_{CC(DR)}$		2.0	-	V
Input Low Voltage *	$V_{IL}$		-0.3	0.8	V
Input High Voltage	$V_{IH}$		2.2	$V_{CC} + 0.3$	V

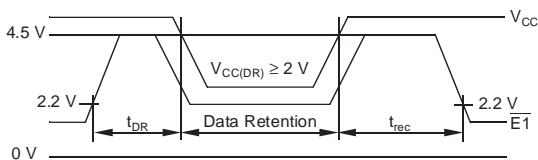
\* -2 V at Pulse Width 10 ns

Electrical Characteristics	Symbol	Conditions	Min.	Max.	Unit
Supply Current - Operating Mode	$I_{CC(OP)}$	$V_{CC} = 5.5\text{ V}$ $V_{IL} = 0.8\text{ V}$ $V_{IH} = 2.2\text{ V}$ $t_{cW} = 20\text{ ns}$ $t_{cW} = 25\text{ ns}$ $t_{cW} = 35\text{ ns}$		70 55 50	mA mA mA
Supply Current - Standby Mode (CMOS level)	$I_{CC(SB)}$	$V_{CC} = 5.5\text{ V}$ $V_{E1} = V_{E2} = V_{CC} - 0.2\text{ V}$		30 5	$\mu\text{A}$ $\mu\text{A}$
Standard Low Power (L)					
Supply Current - Standby Mode (TTL level)	$I_{CC(SB)1}$	$V_{CC} = 5.5\text{ V}$ $V_{E1} = V_{E2} = 2.2\text{ V}$		5 (typ. 2)	mA
Supply Current - Data Retention Mode (Standard)	$I_{CC(DR)}$	$V_{CC(DR)} = 3\text{ V}$ $V_{E1} = V_{E2} = V_{CC(DR)} - 0.2\text{ V}$		10	$\mu\text{A}$
Output High Voltage	$V_{OH}$	$V_{CC} = 4.5\text{ V}$ $I_{OH} = -4.0\text{ mA}$	2.4	-	V
Output Low Voltage	$V_{OL}$	$V_{CC} = 4.5\text{ V}$ $I_{OL} = 8.0\text{ mA}$	-	0.4	V
Output High Current	$I_{OH}$	$V_{CC} = 4.5\text{ V}$ $V_{OH} = 2.4\text{ V}$	-	-4.0	mA
Output Low Current	$I_{OL}$	$V_{CC} = 4.5\text{ V}$ $V_{OL} = 0.4\text{ V}$	8.0	-	mA
Input High Leakage Current	$I_{IH}$	$V_{CC} = 5.5\text{ V}$ $V_{IH} = 5.5\text{ V}$	-	2	$\mu\text{A}$
Input Low Leakage Current	$I_{IL}$	$V_{CC} = 5.5\text{ V}$ $V_{IL} = 0\text{ V}$	-2	-	$\mu\text{A}$
Output Leakage Current High at Three-State Outputs	$I_{OHZ}$	$V_{CC} = 5.5\text{ V}$ $V_{OH} = 5.5\text{ V}$	-	2	$\mu\text{A}$
Low at Three-State Outputs	$I_{OLZ}$	$V_{CC} = 5.5\text{ V}$ $V_{OL} = 0\text{ V}$	-2	-	$\mu\text{A}$

# U62H64

Switching Characteristics	Symbol		Min.			Max.			Unit
	Alt.	IEC	20	25	35	20	25	35	
Time to Output in Low-Z from E1 LOW or E2 HIGH G LOW W HIGH	$t_{LZCE}$	$t_{en(E)}$	5	5	5				ns
	$t_{LZOE}$	$t_{en(G)}$	0	0	0				ns
	$t_{LZWE}$	$t_{en(W)}$	0	0	0				ns
Cycle Time									
Write Cycle Time	$t_{WC}$	$t_{cW}$	20	25	35				ns
Read Cycle Time	$t_{RC}$	$t_{cR}$	20	25	35				ns
Access Time									
E1 LOW or E2 HIGH to Data Valid	$t_{ACE}$	$t_{a(E)}$				20	25	35	ns
G LOW to Data Valid	$t_{OE}$	$t_{a(G)}$				10	12	15	ns
Address to Data Valid	$t_{AA}$	$t_{a(A)}$				20	25	35	ns
Pulse Widths									
Write Pulse Width	$t_{WP}$	$t_{w(W)}$	15	15	20				ns
Chip Enable to End of Write	$t_{CW}$	$t_{w(E)}$	15	20	25				ns
Setup Times									
Address Setup Time	$t_{AS}$	$t_{su(A)}$	0	0	0				ns
Chip Enable to End of Write	$t_{CW}$	$t_{su(E)}$	15	20	25				ns
Write Pulse Width	$t_{WP}$	$t_{su(W)}$	15	15	20				ns
Data Setup Time	$t_{DS}$	$t_{su(D)}$	10	10	15				ns
Data Hold Time									
Address Hold from End of Write	$t_{DH}$	$t_{h(D)}$	0	0	0				ns
	$t_{AH}$	$t_{h(A)}$	0	0	0				ns
Output Hold Time from Address Change	$t_{OH}$	$t_{v(A)}$	5	5	5				ns
E1 HIGH or E2 LOW to Output in High-Z	$t_{HZCE}$	$t_{dis(E)}$				8	10	15	ns
W LOW to Output in High-Z	$t_{HZWE}$	$t_{dis(W)}$				8	10	15	ns
G HIGH to Output in High-Z	$t_{HZOE}$	$t_{dis(G)}$				8	10	12	ns
E1 LOW or E2 HIGH to Power-Up	$t_{PU}$		0	0	0				ns
E1 HIGH or E2 LOW to Power-Down	$t_{PD}$					20	25	35	ns

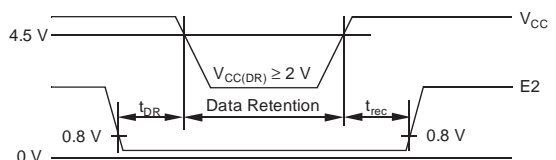
## Data Retention Mode E1-Controlled



$$V_{E2(DR)} \geq V_{CC(DR)} - 0.2 \text{ V or } V_{E2(DR)} \leq 0.2 \text{ V}$$

$$V_{CC(DR)} - 0.2 \text{ V} \leq V_{E1(DR)} \leq V_{CC(DR)} + 0.3 \text{ V}$$

## Data Retention Mode E2-Controlled



$$V_{E1(DR)} \geq V_{CC(DR)} - 0.2 \text{ V or } V_{E1(DR)} \leq 0.2 \text{ V}$$

$$V_{E2(DR)} \leq 0.2 \text{ V}$$

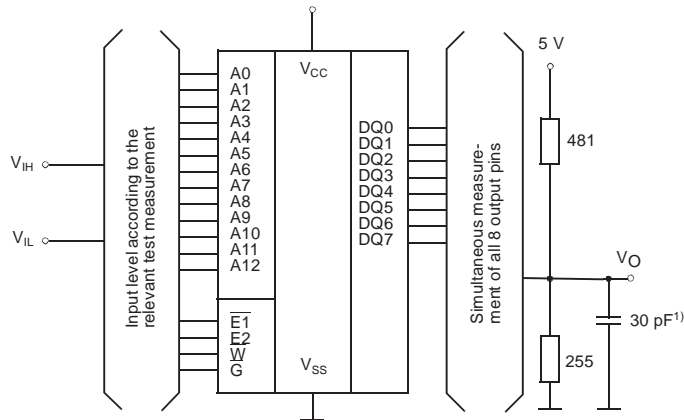
Chip Deselect to Data Retention Time

$t_{DR}$ : min 0 ns

Operating Recovery Time at  $V_{CC(DR)}$

$t_{rec}$ : min  $t_{cR}$

## Test Configuration for Functional Check



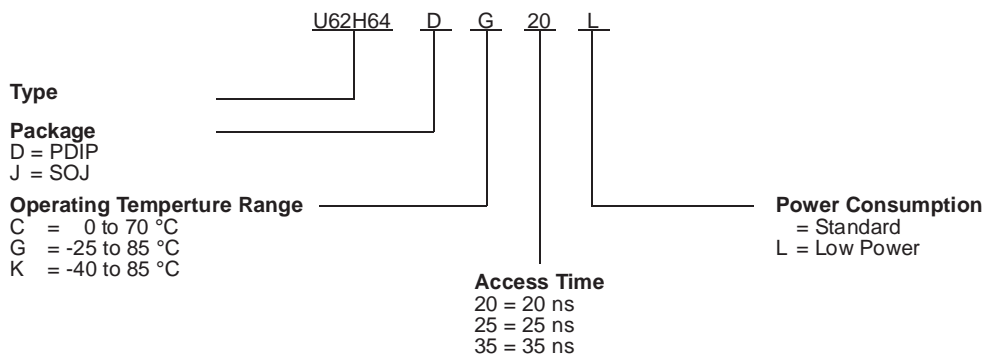
1) In measurement of  $t_{dis(E)}$ ,  $t_{dis(W)}$ ,  $t_{dis(G)}$ ,  $t_{en(E)}$ ,  $t_{en(W)}$ ,  $t_{en(G)}$  the capacitance is 5 pF.

Capacitance	Conditions	Symbol	Min.	Max.	Unit
Input Capacitance	$V_{CC} = 5.0\text{ V}$ $V_I = V_{SS}$	$C_I$		8	pF
Output Capacitance	$f = 1\text{ MHz}$ $T_a = 25\text{ °C}$	$C_O$		10	pF

All pins not under test must be connected with ground by capacitors.

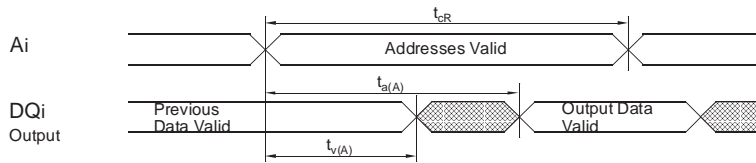
## IC Code Numbers

Example

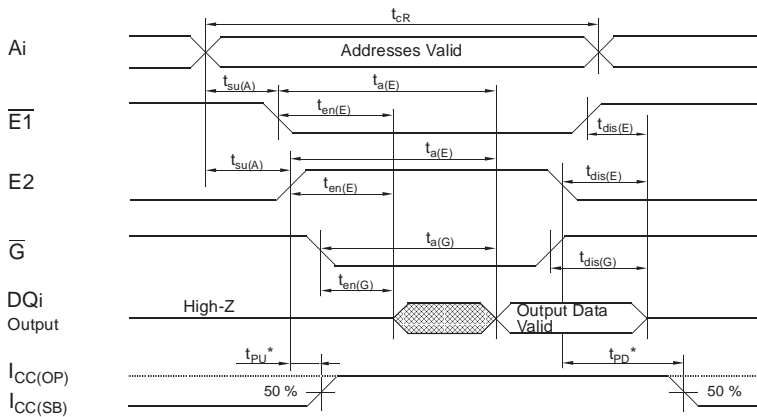


The date of manufacture is given by the last 4 digits of the mark, the first 2 digits indicating the year, and the last 2 digits the calendar week.

## Read Cycle 1 (during Read cycle: $\overline{E1} = \overline{G} = V_{IL}$ , $E2 = \overline{W} = V_{IH}$ , $A_i$ -controlled)

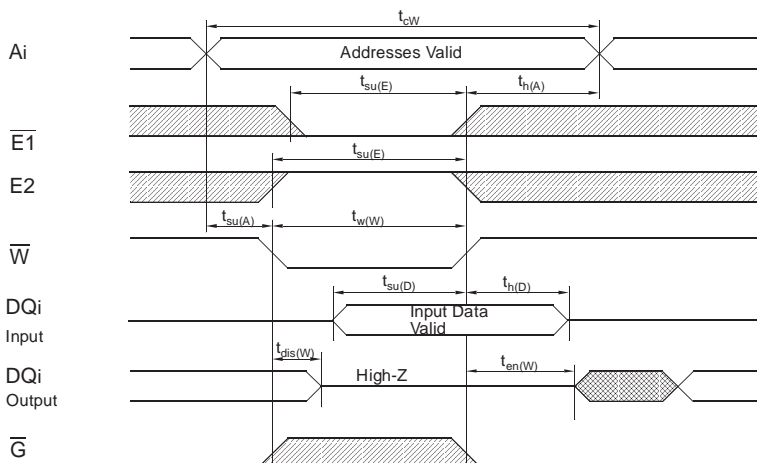


## Read Cycle 2 (during Read cycle: $\overline{W} = V_{IH}$ , $\overline{G}$ -, $\overline{E1}$ - or $E2$ -controlled)

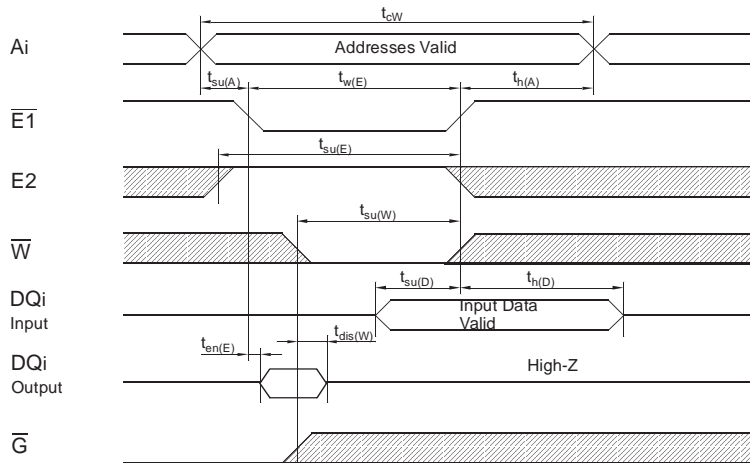


\* The same applies to  $\overline{E1}$

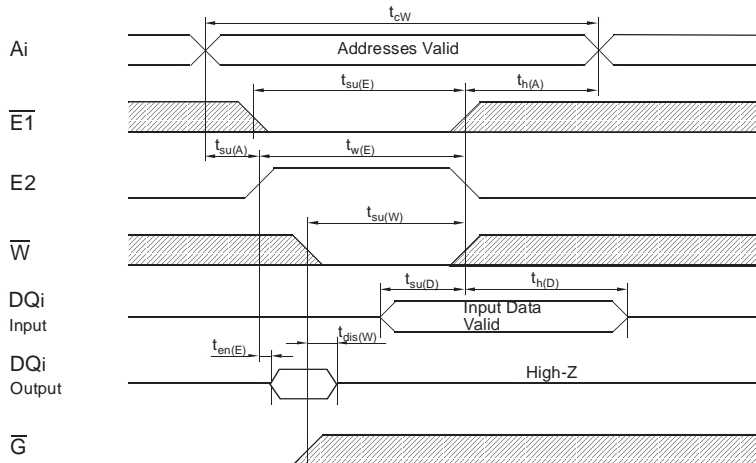
## Write Cycle 1 ( $\overline{W}$ -controlled)



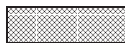
Write Cycle 2 ( $\overline{E1}$ -controlled)



Write Cycle 3 (E2-controlled)



undefined



L- or H-level



---

## **LIFE SUPPORT POLICY**

ZMD products are not designed, intended, or authorized for use as components in systems intended for surgical implant into the body, or other applications intended to support or sustain life, or for any other application in which the failure of the ZMD product could create a situation where personal injury or death may occur. Components used in life-support devices or systems must be expressly authorized by ZMD for such purpose.

## **LIMITED WARRANTY**

The information in this document has been carefully checked and is believed to be reliable. However Zentrum Mikroelektronik Dresden GmbH (ZMD) makes no guarantee or warranty concerning the accuracy of said information and shall not be responsible for any loss or damage of whatever nature resulting from the use of, or reliance upon it. The information in this document describes the type of component and shall not be considered as assured characteristics.

ZMD does not guarantee that the use of any information contained herein will not infringe upon the patent, trademark, copyright, mask work right or other rights of third parties, and no patent or licence is implied hereby. This document does not in any way extent ZMD's warranty on any product beyond that set forth in its standard terms and conditions of sale.

ZMD reserves terms of delivery and reserves the right to make changes in the products or specifications, or both, presented in this publication at any time and without notice.