

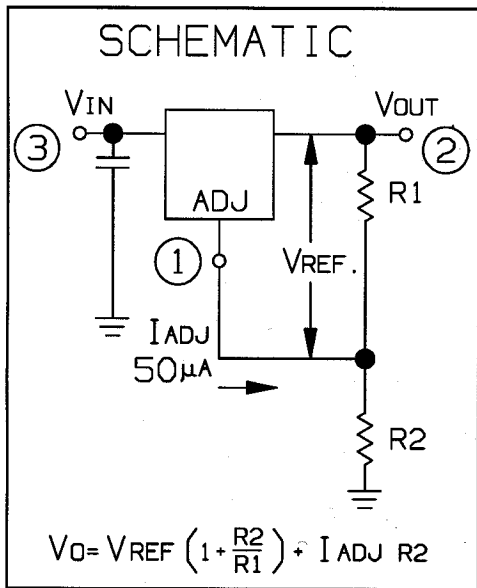
PRODUCT CATALOG

POSITIVE REGULATOR, ADJUSTABLE

SDP117	JAA
SDP117	JAB
SDP117	JDA

- FEATURES**
- RUGGED PACKAGE
 - HI-REL CONSTRUCTION
 - CERAMIC EYELETS: JAA, JAB
 - LEAD BENDING OPTIONS
 - COPPER CORED 52 ALLOY PINS
 - LOW IR LOSSES
 - LOW THERMAL RESISTANCE
 - OPTIONAL MIL-STD-883 SCREENING

ABSOLUTE MAXIMUM RATINGS			
PARAMETER	SYMBOL		UNITS
TOTAL POWER DISSIPATION	PD	20	W
INPUT TO OUTPUT VOLTAGE DIFFERENTIAL		40	V
OPERATING JUNCTION TEMPERATURE	TJ	-55 TO +150	°C
STORAGE TEMPERATURE	stg	-65 TO +150	°C
MAXIMUM LEAD TEMPERATURE	TL	300	°C
THERMAL RESISTANCE	RthJc	3	°C/W



ELECTRICAL CHARACTERISTICS T _C = 25°C (UNLESS OTHERWISE SPECIFIED)							
PARAMETER	SYMBOL	TEST CONDITIONS	NOTE	MIN.	TYP.	MAX.	UNITS
REFERENCE VOLTAGE	VREF	3V ≤ (VIN - VOUT) ≤ 40V 10mA ≤ IOUT ≤ 1.5A, P ≤ 20W	■	1.2	-	1.3	V
LINE REGULATION	$\frac{\Delta V_{OUT}}{\Delta V_{IN}}$	3V ≤ (VIN - VOUT) ≤ 40V	■	-	-	.02 .05	%/V %/V
LOAD REGULATION	$\frac{\Delta V_{OUT}}{\Delta I_{OUT}}$	10mA ≤ I _O ≤ 1.5A TA = 25°C VOUT ≤ 5V VOUT ≥ 5V	-	-	-	15 0.3	mV %
		VOUT ≤ 5V VOUT ≥ 5V	■	-	-	50 1	mV %
THERMAL REGULATION	-	TA = 25°C 20msec PULSE	-	-	-	0.07	%/W
RIPPLE REJECTION	RREJ	VOUT = 10V f = 120HZ CADJ = 0 CADJ = 10µf	■	-	65	-	dB dB
ADJUST PIN CURRENT	IADJ		■	-	-	100	µA
ADJUST PIN CURRENT CHANGE	ΔIADJ	10mA ≤ I _L ≤ 1.5A 2.5V ≤ (VIN - VOUT) ≤ 40V	■	-	-	5	µA
MINIMUM LOAD CURRENT	I _{omin}	(VIN - VOUT) = 40V	■	-	-	5	mA
CURRENT LIMIT	I _{cl}	VIN - VOUT ≤ 15V (VIN - VOUT) ≤ 40V	■	1.5 0.3	-	-	A A
TEMPERATURE STABILITY	$\frac{\Delta V_{OUT}}{\Delta TEMP}$	-55°C ≤ Tj ≤ +150°C	■	-	1	-	%
LONG TERM STABILITY	$\frac{\Delta V_{OUT}}{\Delta TIME}$	TA = 125°C	-	-	-	1	%
RMS OUTPUT NOISE (% OF VOUT)	en	TA = 25°C 10HZ ≤ f ≤ 10KHZ	-	-	.001	-	%

- NOTES:**
-) DENOTES THE SPECIFICATIONS WHICH APPLY OVER THE FULL OPERATING TEMPERATURE RANGE.
 - 1) UNLESS OTHERWISE SPECIFIED, THESE SPECIFICATIONS APPLY FOR VIN - VOUT = 5V AND I_O = 0.5A.
 - 2) REGULATION IS MEASURED AT CONSTANT JUNCTION TEMPERATURE USING PULSE TESTING WITH A LOW DUTY CYCLE.

REV. 10/93

