

PRONTO

PROGRAMMABLE NEW TECHNOLOGY OSCILLATOR

INTRODUCING MONITOR'S NEW SM750 SERIES OF PROGRAMMABLE OSCILLATORS

SM753: 3.3V, 15pF
SM755: 5.0V, 50pF

Monitor's PRONTO series of oscillators brings new meaning to the term "fast turn-around". No more waiting weeks for your particular frequency to be developed - tell us the frequency you need and you'll have your oscillators within 24 hours.

APPLICATIONS

- PDAs
- ATM
- PCMCIA
- Laptops
- Controller Boards
- Networking
- Disk & Tape Drives
- Cameras
- Rapid Prototyping

FEATURES

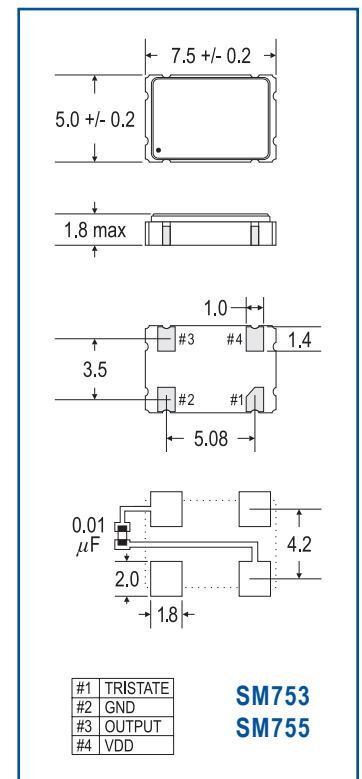
- 5mm x 7mm industry standard compatibility
- Oscillator output utilizes PLL technology
- Wide frequency options
- Excellent shock and vibration reliability
- Tristate function
- Jitter: 50 pS (1 sigma)
- Low jitter option under development
- **24-HOUR DELIVERY**

ASK ABOUT THE
PRONTO
LICENSING PROGRAM

ELECTRICAL SPECIFICATIONS

	SM753	SM755
Frequency Range	6.0 ~ 100.0 MHz	6.0 ~ 160.0 MHz
Supply Voltage	3.3 VDC \pm 0.5 V	5.0 VDC \pm 0.5 V
Load Capacitance	15 pF	50 pF
Input Current	20 mA	30 mA
Rise and Fall Time	6 nS max	3 nS (15 pF)
Symmetry	50/50 \pm 10% standard (50/50 \pm 5% optional)	
Frequency Stability	\pm 100 ppm standard (\pm 50 ppm avail)	
Oper Temp Range	-20°C ~ 70°C (-40°C ~ 85°C avail)	
Start Up Time	10 mS max	
Logic 0 Level	Vcc X 0.1V max	
Logic 1 Level	Vcc X 0.9V min	
E/D Phase Delay	100 nS max	
Phase Jitter RMS	50 pS max*	

*lower phase noise parts under development



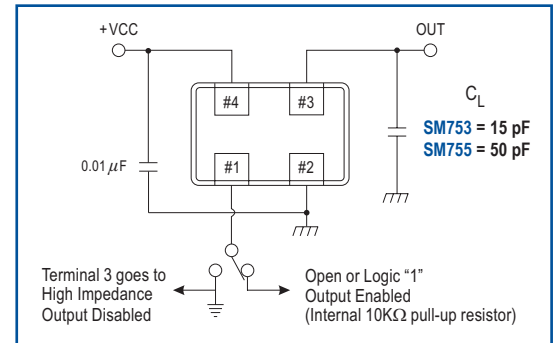
Units : mm

Monitor Products has a proven track record as a pioneer manufacturer in the frequency control market. If our extensive selection of standard and engineered crystals and oscillators does not meet your spec, we will work with you towards a customized solution.

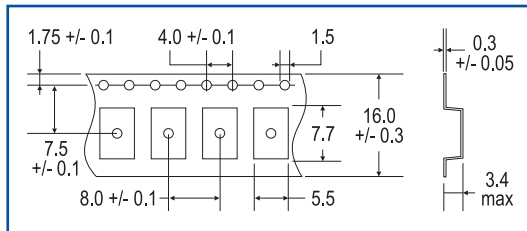
Monitor Products Company Inc reserves the right to make changes to its products and product specifications without notice. No liability is assumed as a result of their use or application.

ENVIRONMENTAL PERFORMANCE SPECIFICATIONS

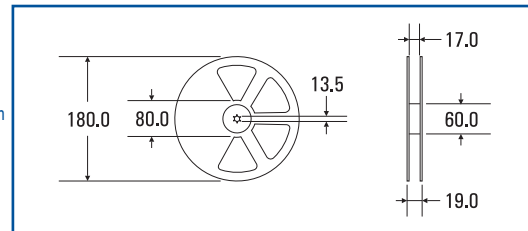
Operating Temp Range	-20°C ~ 70°C (-40°C ~ 85°C available)
Storage Temp Range	-55°C ~ 125°C
Humidity	85% RH, 85°C, 48 Hours
Hermetic Seal	Leak Rate 2×10^{-8} ATM-cm ³ /sec max
Solderability	MIL-STD-202F Method 208E
Reflow Solderability	260°C for 10 seconds
Vibration	MIL-STD-202F Method 204, 35G, 50 to 2000 Hz
Shock	MIL-STD-202F Method 213B Test Cond E, 1000G, 1/2 Sine Wave
MIL-0-55310	Exceeds environmental and electrical specifications of equivalent MIL-0-55310
Packaging	16mm Tape & Reel (500pcs/reel) or Bulk (<500pcs)



TEST CIRCUIT



TAPE DIMENSIONS



REEL DIMENSIONS (500pcs/reel std)

PART NUMBERING KEY

Sample Part Numbers

SM75322B3E @ 14.31818 MHz =

SM75521C3A @ 128.0 MHz =

SERIES	SYMMETRY	FREQUENCY STABILITY	TEMPERATURE RANGE	PACKAGING	FREQUENCY
SM753 (3.3V, 15pF)	21 = 55/45 %	B = 100 ppm*	3 = -20°C ~ 70°C*	A = Bulk (< 500pcs)	
SM755 (5.0V, 50pF)	22 = 60/40 %*	C = 50 ppm	5 = -40°C ~ 85°C	E = Tape & Reel* (500pcs/reel)	
SM753	22	B	3	E	14.31818
SM755	21	C	3	A	128.0

* Standard

Call factory for additional options. Use full descriptive part number when ordering. Parts will be marked with series and frequency only.

Monitor Products Company Inc reserves the right to make changes to its products and product specifications without notice. No liability is assumed as a result of their use or application.