

# 10/100BASE-T SINGLE PORT TRANSFORMER MODULES

With Various Transmit Turns Ratios



- Meets all IEEE 802.3 and ANSI X3.263 standards including 350  $\mu$ H OCL with 8 mA bias
- Designed for use with transceivers from AMD, Kendin Semiconductor, and Quality Semiconductor
- IC grade transfer-molded package suitable for reflow soldering temperatures up to 235°C
- Patented Interlock base construction for high reliability

## Electrical Specifications @ 25°C — Operating Temperature 0°C to 70°C

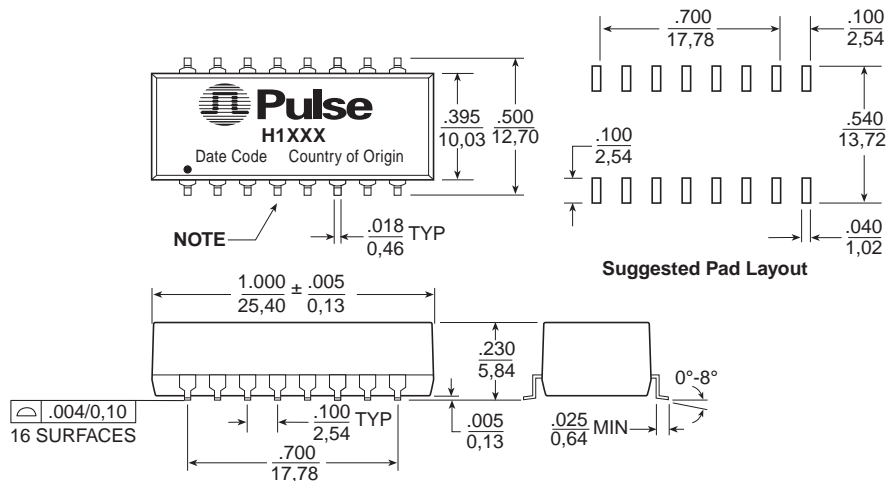
Part Number	Turns Ratio ( $\pm 5\%$ )		Insertion Loss 100 KHz-100 MHz (dB MAX)	Return Loss (db MIN)			Crosstalk (dB MIN)			Hipot (Vrms MIN)
	Receive	Transmit		30 MHz	60 MHz	80 MHz	30 MHz	60 MHz	100 MHz	
H1013	1:1	$\sqrt{2}:1$	-1.0	-16	-12	-10	-45	-38	-34	1500
H1015	1:1	$\sqrt{2}:1$	-1.0	-16	-12	-10	-45	-38	-34	1500
H1033	1:1	$\sqrt{2}:1$	-1.0	-16	-12	-10	-45	-38	-34	1500
H1035	1:1	$\sqrt{2}:1$	-1.0	-16	-12	-10	-45	-38	-34	1500
H1043	1:1	1.25:1	-1.0	-16	-12	-10	-45	-38	-34	1500
H1081	1:1	$1:\sqrt{2}$	-2.0	-18	-12	-11	-45	-38	-34	1500
H1093	1:1	$\sqrt{2}:1$	-1.0	-16	-12	-10	-45	-38	-34	1500
H1119	1:1	$1:\sqrt{2}$	-2.0	-16	-11	-10	-45	-38	-34	1500

NOTE: The H1093 has been optimized for use with the Kendin KS8761.

U.S. Patent No. 5,015,981

## Mechanical

### H1013, H1015, H1033, H1035, H1043, H1081, H1093, H1119



Dimensions:  $\frac{\text{Inches}}{\text{mm}}$

Unless otherwise specified, all tolerances are  $\pm \frac{.010}{0,25}$

NOTE: Pin 4 is omitted on the H1015.

# 10/100BASE-T SINGLE PORT TRANSFORMER MODULES

## With Various Transmit Turns Ratios

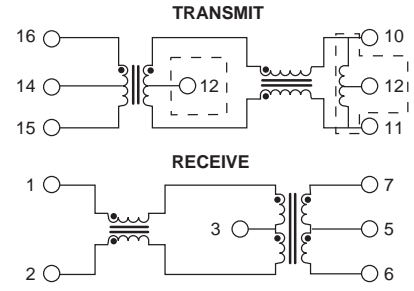
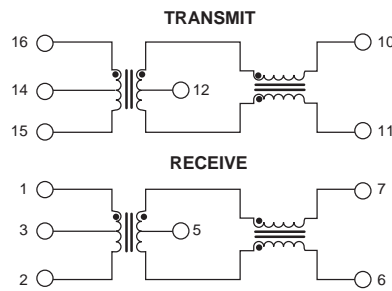
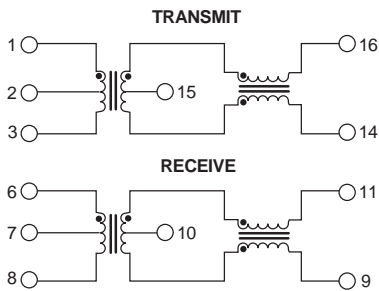


### Schematics

**H1013, H1033, H1043, H1093**

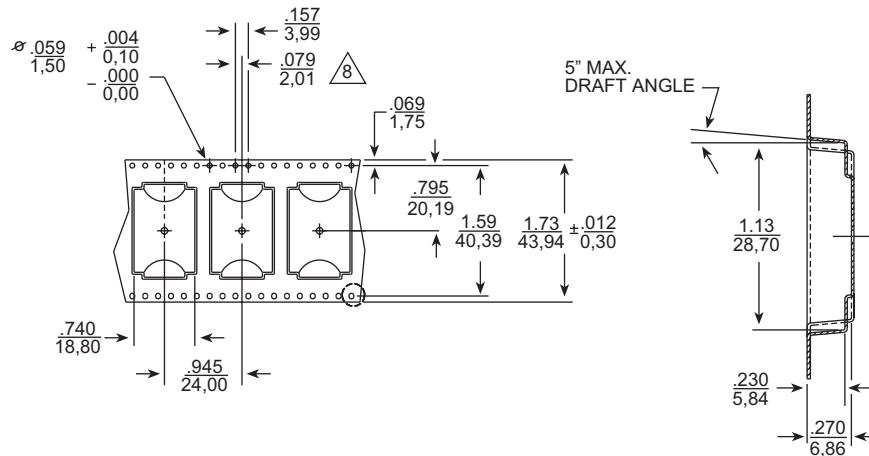
**H1015**

**H1035, H1081, H1119**



**NOTE:** The H1081 incorporates an autotransformer, so there is no connection to the TX transformer center tap.

### Tape and Reel Specifications



Weight .....3.00 grams  
 Tape & Reel ..... .350/reel  
 Tube ..... .20/tube

**NOTE:** Modules are packaged in tubes, unless Tape & Reel is specified.  
 Please add the suffix "T" such as H1013T for Tape & Reel orders.

### For More Information :

Corporate (U.S.A.)	U.K. (Northern Europe)	France (Southern Europe)	Taiwan (Northern Asia)	Singapore (Southern Asia)	Distributor
12220 World Trade Drive San Diego, CA 92128 Tel: 619 674 8100 FAX: 619 674 8262 Quick-Facts: 619 674 9672 http://www.pulseeng.com	1 & 2 Huxley Road The Surrey Research Park Guildford, Surrey GU2 5RE United Kingdom Tel: 44 1483 401700 FAX: 44 1483 401701	Zone Industrielle F-39270 Orgelet France Tel: 33 3 84 35 04 04 FAX: 33 3 84 25 46 41	3F-4, No. 81, Sec. 1 HsinTai Wu Road Hsi-Chih, Taipei Hsien Taiwan Tel: 886 2 2698 0228 FAX: 886 2 2698 0948	150 Kampong Ampat #07-01/02 KA Centre Singapore 368324 Tel: 65 287 8998 FAX: 65 280 0080	

Performance warranty of products offered on this data sheet is limited to the parameters specified. Data is subject to change without notice. Other brand and product names mentioned herein may be trademarks or registered trademarks of their respective owners.

Printed on recycled paper. ©1999, Pulse Engineering, Inc.

**PRELIMINARY H314.P (4/99)**