

HOME PHONE NETWORKING BANDPASS AND 10BASE-T FILTER MODULE



- For use with AMD's 79C978 Phoneline/Ethernet LAN Controller
- Supports TUT Systems® Home Run™ Technology
- Includes protection circuitry, isolation and EMI filtering
- Contains 10BASE-T transmit and receive isolation and EMI filtering

Electrical Specifications @ 25°C — Operating Temperature 0°C to 70°C

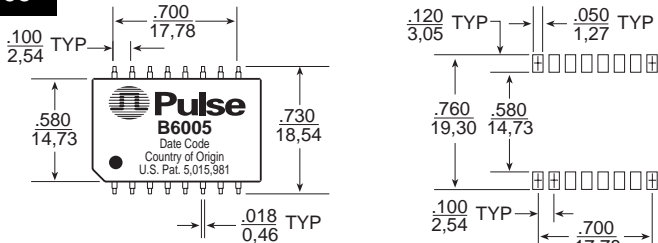
PARAMETER	TEST CONDITION	MIN.	NOM.	MAX.	UNITS
TUT™ Insertion Loss 6.0 MHz 7.5 MHz 9.0 MHz	Input (7-8), Output (9-10) HP-8751A S21 100 Ω		3.2	4	dB
			2.8	3.5	dB
			3.4	4	dB
TUT™ Attenuation 1.0 MHz 27 MHz	Input (7-8), Output (9-10) HP-8751A S21 100 Ω	70	80		dB
		55	60		dB
TUT™ Return Loss (6.0 MHz to 9.0 MHz)	Input (9-10), 100 Ω (7-8) HP-8751A S11 100 Ω	10	12		dB
10BASE-T Turns Ratio	Transmit (4-5):(13-12)	1.38	1.41	1.44	
	Receive (1-2):(16-15)	0.98	1.0	1.02	
10BASE-T Inductance	Transmit (4-5) 10 KHz, 0.02 Vrms	140	180		μH
10BASE-T Inductance	Receive (1-2) 10 KHz, 0.02 Vrms	140	180		μH
Leakage Inductance	(4-5) with (13-12) Shorted		0.5	0.7	μH
	(1-2) with (16-15) Shorted		0.8	1.0	μH
Interwinding Capacitance	(4-5) Short to (13-12) Shorted		10	12	pF
	(1-2) Short to (16-15) Shorted		10	12	pF
DC Resistance	(1-2), (4-5)		0.2	0.3	Ω
	(13-12), (16-15)		0.6	0.8	Ω
10BASE-T Return Loss	(13-12) to (4-5) 50 Ω	18	23		dB
	(16-15) to (1-2) 100 Ω	18	23		dB
Isolation	Pins (1-8) shorted to (9-16) shorted	2000			Vrms

NOTE: Filters are shipped in tubes unless tape and reel is specified. Please add the suffix "T" (i.e. B6005T) for tape and reel orders.

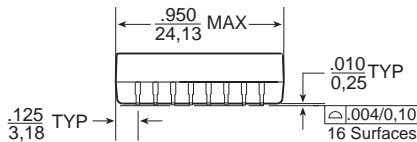
Mechanical

Schematic

B6005

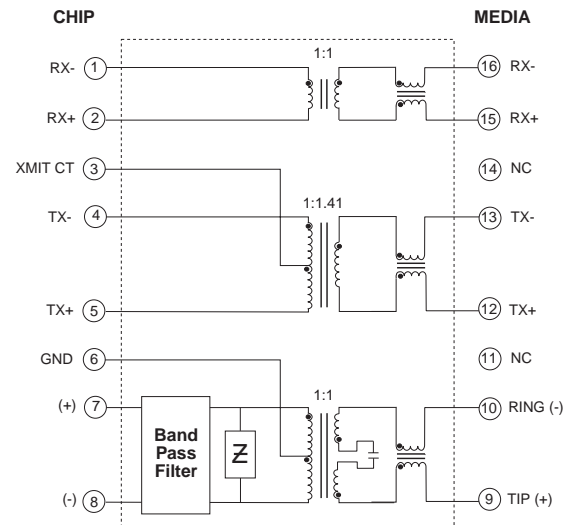


SUGGESTED PAD LAYOUT



Weight 6.0 grams
Tape & Reel200/reel
Tube20/tube

Dimensions: Inches
mm
Unless otherwise specified, all tolerances are ± .010 / 0.25



For More Information :

Corporate

12220 World Trade Drive
San Diego, CA 92128
Tel: 619 674 8100
FAX: 619 674 8262
http://www.pulseeng.com
Quick-Facts: 619 674 9672

Europe

1 & 2 Huxley Road
The Surrey Research Park
Guildford, Surrey GU2 5RE
United Kingdom
Tel: 44 1483 401700
FAX: 44 1483 401701

Asia

150 Kampong Ampat
#07-01/02
KA Centre
Singapore 368324
Tel: 65 287 8998
FAX: 65 280 0080

Distributor

Performance warranty of products offered on this data sheet is limited to the parameters specified. Data is subject to change without notice. Other brand and product names mentioned herein may be trademarks or registered trademarks of their respective owners. Tut Systems is a registered trademark of Tut Systems, Inc. and both TUT and HOME RUN are trademarks of Tut Systems, Inc.

Printed on recycled paper. ©1999, Pulse Engineering, Inc.

PRELIMINARY B918.P (2/99)