



## 8Mb (256Kx36 & 512x18) and 4Mb (128Kx36 & 256Kx18) SRAM

---

### Features

- 8Mb: 256K x 36 or 512K x 18 organizations  
4Mb: 128K x 36 or 256K x 18 organizations
- 0.25 Micron CMOS technology
- Synchronous Pipeline Mode of Operation with Self-Timed Late Write
- Single Differential Extended HSTL Clock
- +3.3V Power Supply, Ground, 1.5V  $V_{DDQ}$ , and 0.75V  $V_{REF}$
- HSTL Inputs and Output levels
- Registered Addresses, Write Enables, Synchronous Select, and Data Ins
- Registered Outputs
- Common I/O
- Asynchronous Output Enable a
- Synchronous Power Down Inputs
- Boundary Scan using limited set of JTAG 1149.1 functions
- Byte Write Capability and Global Write Enable
- 7 x 17 Bump Ball Grid Array Package with SRAM JEDEC Standard Pinout and Boundary SCAN Order

---

### Description

The 4Mb and 8Mb SRAMs—IBM0436A41QLAA, IBM0418A41QLAA, IBM0418A81QLAA, and IBM0436A81QLAA—are Synchronous Pipeline Mode, high-performance CMOS Static Random Access Memories that are versatile, have wide I/O, and can achieve 3ns cycle times. Differential K clocks are used to initiate the read/write operation and all internal operations are self-timed. At the ris-

ing edge of the K clock, all Addresses, Write-Enables, Sync Select, and Data Ins are registered internally. Data Outs are updated from output registers off the next rising edge of the K clock. An internal Write buffer allows write data to follow one cycle after addresses and controls. The chip is operated with a single +3.3V power supply and is compatible with HSTL I/O interfaces.



### x36 BGA Pinout (Top View)

	1	2	3	4	5	6	7
A	V <sub>DDQ</sub>	SA	SA	NC	SA	SA	V <sub>DDQ</sub>
B	NC	NC	SA	NC	SA	NC,SA(8Mb)	NC
C	NC	SA	SA	V <sub>DD</sub>	SA	SA	NC
D	DQ19	DQ18	V <sub>SS</sub>	ZQ	V <sub>SS</sub>	DQ9	DQ10
E	DQ22	DQ20	V <sub>SS</sub>	$\overline{SS}$	V <sub>SS</sub>	DQ11	DQb13
F	V <sub>DDQ</sub>	DQ21	V <sub>SS</sub>	$\overline{G}$	V <sub>SS</sub>	DQ12	V <sub>DDQ</sub>
G	DQ24	DQ23	$\overline{SBWc}$	NC	$\overline{SBWb}$	DQ14	DQb15
H	DQ25	DQ26	V <sub>SS</sub>	NC	V <sub>SS</sub>	DQ17	DQb16
J	V <sub>DDQ</sub>	V <sub>DD</sub>	V <sub>REF</sub>	V <sub>DD</sub>	V <sub>REF</sub>	V <sub>DD</sub>	V <sub>DDQ</sub>
K	DQ34	DQ35	V <sub>SS</sub>	K	V <sub>SS</sub>	DQ8	DQ7
L	DQ33	DQ32	$\overline{SBWd}$	$\overline{K}$	$\overline{SBWa}$	DQ5	DQ6
M	V <sub>DDQ</sub>	DQ30	V <sub>SS</sub>	$\overline{SW}$	V <sub>SS</sub>	DQ3	V <sub>DDQ</sub>
N	DQ31	DQ29	V <sub>SS</sub>	SA	V <sub>SS</sub>	DQ2	DQ4
P	DQ28	DQ27	V <sub>SS</sub>	SA	V <sub>SS</sub>	DQ0	DQ1
R	NC	SA	M1*	V <sub>DD</sub>	M2*	SA	NC
T	NC	NC	SA	SA	SA	NC	ZZ
U	V <sub>DDQ</sub>	TMS	TDI	TCK	TDO	NC	V <sub>DDQ</sub>

**Note:** \* M1 and M2 are clock mode pins. For this application, M1 and M2 need to connect to V<sub>SS</sub> and V<sub>DD</sub> respectively.

### x18 BGA Pinout (Top View)

	1	2	3	4	5	6	7
A	V <sub>DDQ</sub>	SA	SA	NC	SA	SA	V <sub>DDQ</sub>
B	NC	NC	SA	NC	SA	NC,SA(8Mb)	NC
C	NC	SA	SA	V <sub>DD</sub>	SA	SA	NC
D	DQ14	NC	V <sub>SS</sub>	ZQ	V <sub>SS</sub>	DQ0	NC
E	NC	DQ15	V <sub>SS</sub>	$\overline{SS}$	V <sub>SS</sub>	NC	DQ1
F	V <sub>DDQ</sub>	NC	V <sub>SS</sub>	$\overline{G}$	V <sub>SS</sub>	DQ2	V <sub>DDQ</sub>
G	NC	DQ16	$\overline{SBWb}$	NC	NC	NC	DQ3
H	DQ17	NC	V <sub>SS</sub>	NC	V <sub>SS</sub>	DQ4	NC
J	V <sub>DDQ</sub>	V <sub>DD</sub>	V <sub>REF</sub>	V <sub>DD</sub>	V <sub>REF</sub>	V <sub>DD</sub>	V <sub>DDQ</sub>
K	NC	DQ13	V <sub>SS</sub>	K	V <sub>SS</sub>	NC	DQ8
L	DQ12	NC	NC	$\overline{K}$	$\overline{SBWa}$	DQ7	NC
M	V <sub>DDQ</sub>	DQ10	V <sub>SS</sub>	$\overline{SW}$	V <sub>SS</sub>	NC	V <sub>DDQ</sub>
N	DQ11	NC	V <sub>SS</sub>	SA	V <sub>SS</sub>	DQ6	NC
P	NC	DQ9	V <sub>SS</sub>	SA	V <sub>SS</sub>	NC	DQ5
R	NC	SA	M1	V <sub>DD</sub>	M2	SA	NC
T	NC	SA	SA	NC	SA	SA	ZZ
U	V <sub>DDQ</sub>	TMS	TDI	TCK	TDO	NC	V <sub>DDQ</sub>

**Note:** \* M1 and M2 are clock mode pins. For this application, M1 and M2 need to connect to V<sub>SS</sub> and V<sub>DD</sub> respectively.



## Pin Description

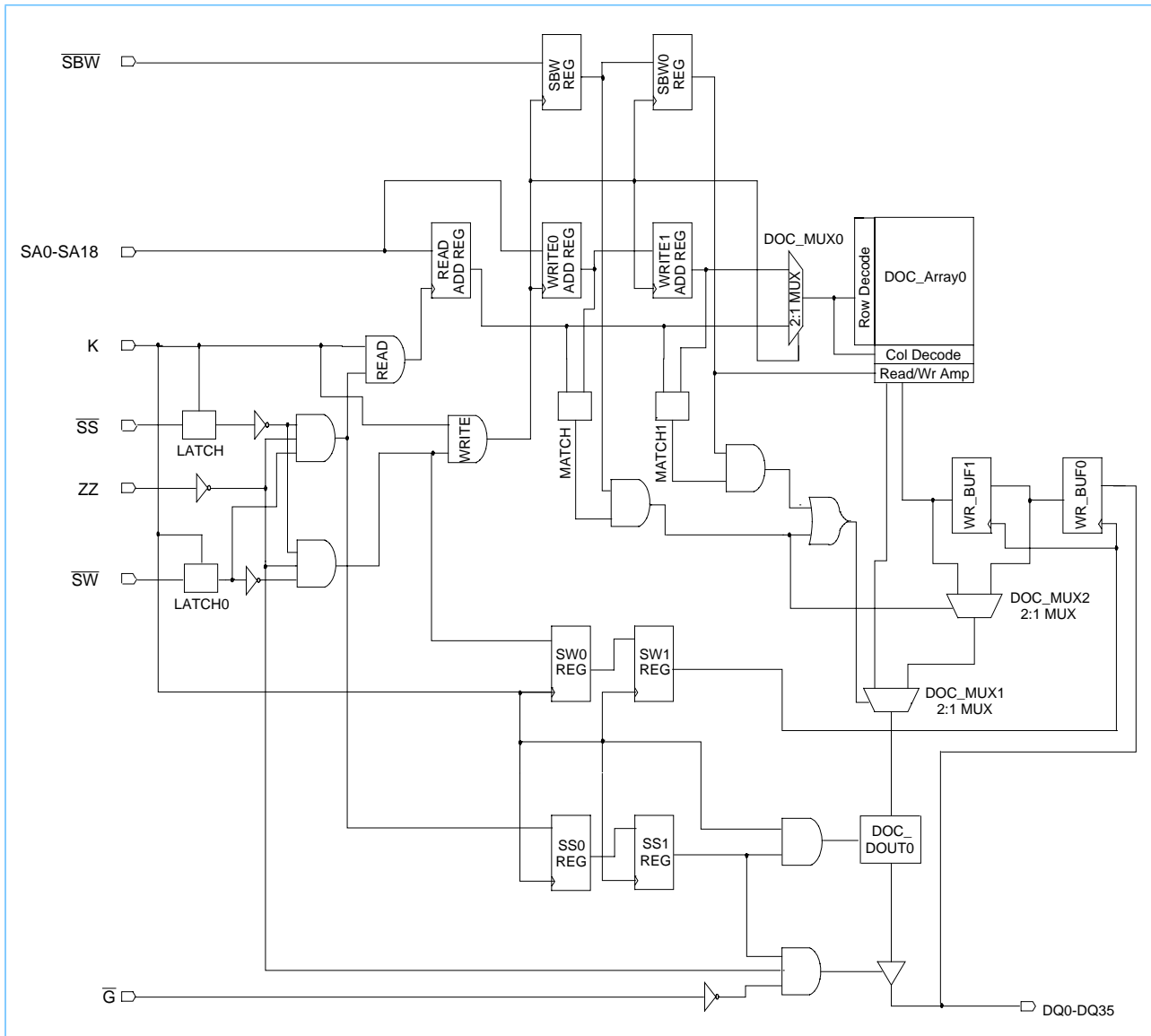
SA0-SA18	Address Input SA0-SA18 for 512K x 18 SA0-SA17 for 256K x 36 SA0-SA17 for 256K x 18 SA0-SA16 for 128K x 36	$\bar{G}$	Asynchronous Output Enable
DQ0-DQ35	Data I/O DQ0-DQ17 for 512K x 18 DQ0-DQ35 for 256K x 36	$\bar{SS}$	Synchronous Select
K, $\bar{K}$	Differential Input Register Clocks	M1, M2	Clock Mode Inputs- Selects Single or Dual Clock Operation.
$\bar{SW}$	Write Enable, Global	$V_{REF(2)}$	HSTL Input Reference Voltage
$\bar{SBW}a$	Write Enable, Byte a (DQ0-DQ8)	$V_{DD}$	Power Supply (+3.3V)
$\bar{SBW}b$	Write Enable, Byte b (DQ9-DQ17)	$V_{SS}$	Ground
$\bar{SBW}c$	Write Enable, Byte c (DQ18-DQ26)	$V_{DDQ}$	Output Power Supply
$\bar{SBW}d$	Write Enable, Byte d (DQ27-DQ35)	ZZ	Synchronous Sleep Mode
TMS,TDI,TCK	IEEE 1149.1 Test Inputs (LVTTTL levels)	ZQ	Output Driver Impedance Control
TDO	IEEE 1149.1 Test Output (LVTTTL level)	NC	No Connect

## Ordering Information

Part Number	Organization	Speed	Leads
IBM0418A41QLAA - 3	256K x 18	1.7ns Access / 3.0ns Cycle	7 x 17 BGA
IBM0418A41QLAA - 3N	256K x 18	1.8ns Access / 3.7ns Cycle	7 x 17 BGA
IBM0418A41QLAA - 4	256K x 18	2.0ns Access / 4.0ns Cycle	7 x 17 BGA
IBM0418A41QLAA - 5	256K x 18	2.25ns Access /5.0ns Cycle	7 x 17 BGA
IBM0436A41QLAA - 3	128K x 36	1.7ns Access / 3.0ns Cycle	7 x 17 BGA
IBM0436A41QLAA - 3N	128K x 36	1.8ns Access / 3.7ns Cycle	7 x 17 BGA
IBM0436A41QLAA - 4	128K x 36	2.0ns Access / 4.0ns Cycle	7 x 17 BGA
IBM0436A41QLAA - 5	128K x 36	2.25ns Access /5.0ns Cycle	7 x 17 BGA
IBM0418A81QLAA - 3	512K x 18	1.7ns Access / 3.0ns Cycle	7 x 17 BGA
IBM0418A81QLAA - 3N	512K x 18	1.8ns Access / 3.7ns Cycle	7 x 17 BGA
IBM0418A81QLAA - 4	512K x 18	2.0ns Access / 4.0ns Cycle	7 x 17 BGA
IBM0418A81QLAA - 5	512K x 18	2.25ns Access /5.0ns Cycle	7 x 17 BGA
IBM0436A81QLAA - 3	256K x 36	1.7ns Access / 3.0ns Cycle	7 x 17 BGA
IBM0436A81QLAA - 3N	256K x 36	1.8ns Access / 3.7ns Cycle	7 x 17 BGA
IBM0436A81QLAA - 4	256K x 36	2.0ns Access / 4.0ns Cycle	7 x 17 BGA
IBM0436A81QLAA - 5	256K x 36	2.25ns Access /5.0ns Cycle	7 x 17 BGA



### Block Diagram





## SRAM Features

### Late Write

Late Write function allows for write data to be registered one cycle after addresses and controls. This feature eliminates one bus-turnaround cycle, necessary when going from a Read to a Write operation. Late Write is accomplished by buffering write addresses and data so that the write operation occurs during the next write cycle. When a read cycle occurs after a write cycle, the address and write data information are stored temporarily in holding registers. During the first write cycle preceded by a read cycle, the SRAM array will be updated with address and data from the holding registers. Read cycle addresses are monitored to determine if read data is to be supplied from the SRAM array or the write buffer. The bypassing of the SRAM array occurs on a byte-by-byte basis. When only one byte is written during a write cycle, read data from the last written address will have new byte data from the write buffer and remaining bytes from the SRAM array.

### Mode Control

Mode control pins M1 and M2 are used to select four different JEDEC-standard read protocols. This SRAM supports Single Clock, Pipeline (M1 =  $V_{SS}$ , M2 =  $V_{DD}$ ). This datasheet only describes Single Clock Pipeline functionality. Mode control inputs must be set with power up and must not change during SRAM operation. This SRAM is tested only in the Pipeline mode.

### Sleep Mode

Sleep Mode is enabled by switching synchronously signal ZZ High. When the SRAM is in Sleep mode, the outputs will go to a High-Z state and the SRAM will draw standby current. SRAM data will be preserved and a recovery time ( $t_{ZZR}$ ) is required before the SRAM resumes normal operation.

### RQ Programmable Impedance

An external resistor, RQ, must be connected between the ZQ pin on the SRAM and  $V_{SS}$  to allow for the SRAM to adjust its output driver impedance. The value of RQ must be 5X the value of the intended line impedance driven by the SRAM. The allowable range of RQ to guarantee impedance matching is between 175 $\Omega$  and 350 $\Omega$ , with the tolerance described in Programmable Impedance Output Driver DC Electrical Characteristics on page 9. The RQ resistor should be placed less than two inches away from the ZQ ball on the SRAM module. The total external capacitance (including wiring) seen by the ZQ ball should be minimized (less than 7.5 pF).

### Programmable Impedance and Power-Up Requirements

Periodic readjustment of the output driver impedance is necessary as the impedance is greatly affected by drifts in supply voltage and temperature. One evaluation occurs every 64 clock cycles and each evaluation may move the output driver impedance level only one step at a time towards the optimum level. The output driver has 32 discrete binary weighted steps. The impedance update of the output driver occurs when the SRAM is in High-Z. Write and Deselect operations will synchronously switch the SRAM into and out of High-Z, therefore, triggering an update. The user may choose to invoke asynchronous  $\overline{G}$  updates by providing a  $\overline{G}$  setup and hold about the K clock to guarantee the proper update. There are no power-up requirements for the SRAM; however, to guarantee optimum output driver impedance after power up, the SRAM needs 4096 clock cycles followed by a Low-Z to High-Z transition.

### Power-Up and Power-Down Sequencing

The Power supplies need to be powered up in the following order:  $V_{DD}$ ,  $V_{DDQ}$ ,  $V_{REF}$ , and Inputs. The power-down sequencing must be the reverse.  $V_{DDQ}$  can be allowed to exceed  $V_{DD}$  by no more than 0.6V.



## Clock Truth Table

K	ZZ	SS	SW	$\overline{\text{SBW}}_a$	$\overline{\text{SBW}}_b$	$\overline{\text{SBW}}_c$	$\overline{\text{SBW}}_d$	DQ (n)	DQ (n+1)	Mode
LH	L	L	H	X	X	X	X	X	D <sub>OUT</sub> 0-35	Read Cycle All Bytes
L→H	L	L	L	L	H	H	H	X	D <sub>IN</sub> 0-8	Write Cycle 1st Byte
L→H	L	L	L	H	L	H	H	X	D <sub>IN</sub> 9-17	Write Cycle 2nd Byte
L→H	L	L	L	H	H	L	H	X	D <sub>IN</sub> 18-26	Write Cycle 3rd Byte
L→H	L	L	L	H	H	H	L	X	D <sub>IN</sub> 27-35	Write Cycle 4th Byte
L→H	L	L	L	L	L	L	L	X	D <sub>IN</sub> 0-35	Write Cycle All Bytes
L→H	L	L	L	H	H	H	H	X	High-Z	Abort Write Cycle
L→H	L	H	X	X	X	X	X	X	High-Z	Deselect Cycle
X	H	X	X	X	X	X	X	High-Z	High-Z	Sleep Mode

## Output Enable Truth Table

Operation (n, n+1)	$\overline{\text{G}}$ (n)	DQ (n)	DQ (n+1)
Read	L	D <sub>OUT</sub> 0-35	D <sub>OUT</sub> 0-35
Read	H	High-Z	High-Z
Sleep (ZZ = H)	X	High-Z	High-Z
Write ( $\overline{\text{SW}}$ = L)	X	X	High-Z
Deselect ( $\overline{\text{SS}}$ = H)	X	X	High-Z

## Absolute Maximum Ratings

Item	Symbol	Rating	Units	Notes
Power Supply Voltage	V <sub>DD</sub>	-0.5 to 4.3	V	1
Output Power Supply Voltage	V <sub>DDQ</sub>	-0.5 to 2.825	V	1
Input Voltage	V <sub>IN</sub>	-0.5 to 4.3	V	1, 2
DQ Input Voltage	V <sub>DQIN</sub>	-0.5 to 2.825	V	1
Operating Temperature	T <sub>A</sub>	0 to 85	°C	1
Junction Temperature	T <sub>J</sub>	110	°C	1
Storage Temperature	T <sub>STG</sub>	-55 to +125	°C	1
Short Circuit Output Current	I <sub>OUT</sub>	25	mA	1

1. Stresses greater than those listed under "Absolute Maximum Ratings" may cause permanent damage to the device. This is a stress rating only and functional operation of the device at these or any other conditions above those indicated in the operational sections of this specification is not implied. Exposure to absolute maximum rating conditions for extended periods may affect reliability.
2. Excludes DQ inputs.



## Recommended DC Operating Conditions ( $T_A = 0$ to $+85^\circ\text{C}$ )

Parameter	Symbol	Min.	Typ.	Max.	Units	Notes
Supply Voltage	$V_{DD}$	3.3 - 5%	3.3	3.3 + 10%	V	1
Output Driver Supply Voltage	$V_{DDQ}$	1.4	1.5	1.6	V	1
Input High Voltage	$V_{IH}$	$V_{REF} + 0.1$	—	$V_{DDQ} + 0.3$	V	1, 2
Input Low Voltage	$V_{IL}$	-0.3	—	$V_{REF} - 0.1$	V	1, 3
Input Reference Voltage	$V_{REF}$	0.68	0.75	0.9	V	1, 6
Clocks Signal Voltage	$V_{IN - CLK}$	-0.3	—	$V_{DDQ} + 0.3$	V	1, 4
Differential Clocks Signal Voltage	$V_{DIF - CLK}$	0.1	—	$V_{DDQ} + 0.6$	V	1, 5
Clocks Common Mode Voltage	$V_{CM - CLK}$	0.55	—	0.90	V	1

1. All voltages referenced to  $V_{SS}$ . All  $V_{DD}$ ,  $V_{DDQ}$  and  $V_{SS}$  pins must be connected.
2.  $V_{IH}(\text{Max})\text{DC} = V_{DDQ} + 0.3$  V,  $V_{IH}(\text{Max})\text{AC} = V_{DDQ} + 0.85$  V (pulse width  $\leq 4.0\text{ns}$ ).
3.  $V_{IL}(\text{Min})\text{DC} = -0.3$  V,  $V_{IL}(\text{Min})\text{AC} = -1.5$  V (pulse width  $\leq 4.0\text{ns}$ ).
4.  $V_{IN-CLK}$  specifies the maximum allowable DC excursions of each differential clock ( $K, \bar{K}$ ).
5.  $V_{DIF-CLK}$  specifies the minimum Clock differential voltage required for switching.
6. Peak to Peak AC component superimposed on  $V_{REF}$  may not exceed 5% of  $V_{REF}$ .



## DC Electrical Characteristics (T<sub>A</sub> = 0 to +85°C, V<sub>DD</sub> = 3.3V -5%, +5%)

Parameter	Symbol	Min.	Max.	Units	Notes
Average Power Supply Operating Current- <b>x36</b> (I <sub>OUT</sub> = 0, V <sub>IN</sub> = V <sub>IH</sub> or V <sub>IL</sub> , ZZ & SS = V <sub>IL</sub> )	I <sub>DD3</sub> I <sub>DD3N</sub> I <sub>DD4</sub> I <sub>DD5</sub>	— — —	0.470 0.435 0.420 0.370	A	1, 3
Average Power Supply Operating Current - <b>x18</b> (I <sub>OUT</sub> = 0, V <sub>IN</sub> = V <sub>IH</sub> or V <sub>IL</sub> , ZZ & SS = V <sub>IL</sub> )	I <sub>DD3</sub> I <sub>DD3N</sub> I <sub>DD4</sub> I <sub>DD5</sub>	— — —	0.450 0.415 0.400 0.350	A	1, 3
Power Supply Standby Current (SS = V <sub>IH</sub> , ZZ = V <sub>IH</sub> . All other inputs = V <sub>IH</sub> or V <sub>IL</sub> , I <sub>IH</sub> = 0)	I <sub>SBSS</sub>	—	150	mA	1
Power Supply Sleep Current (ZZ = V <sub>IH</sub> , All other inputs = V <sub>IH</sub> or V <sub>IL</sub> , I <sub>OUT</sub> = 0)	I <sub>SBZZ</sub>	—	100	mA	1, 5
Input Leakage Current, any input (except JTAG) (V <sub>IN</sub> = V <sub>SS</sub> or V <sub>DDQ</sub> )	I <sub>LI</sub>	-2	+2	μA	
Output Leakage Current (V <sub>OUT</sub> = V <sub>SS</sub> or V <sub>DDQ</sub> , DQ in High-Z)	I <sub>LO</sub>	-5	+5	μA	
Output "High" Level Voltage (I <sub>OH</sub> = -8mA)	V <sub>OH</sub>	V <sub>DDQ</sub> - .4	V <sub>DDQ</sub>	V	2, 4
Output "Low" Level Voltage (I <sub>OL</sub> = +8mA)	V <sub>OL</sub>	V <sub>SS</sub>	V <sub>SS</sub> + .4	V	2, 4
JTAG Leakage Current (V <sub>IN</sub> = V <sub>SS</sub> or V <sub>DD</sub> )	I <sub>LJTAG</sub>	-50	+10	μA	6

1. I<sub>OUT</sub> = Chip Output Current.  
 2. Minimum Impedance Output Driver.  
 3. The numeric suffix indicates part operating at speed as indicated in AC Characteristics on page 11: i.e., I<sub>DD3</sub> indicates 3ns cycle time.  
 4. JEDEC Standard JESD8-6 Class 1 Compatible.  
 5. When ZZ = High, spec is guaranteed at 75°C junction temperature.  
 6. For JTAG inputs only.

## PBGA Thermal Characteristics

Item	Symbol	Rating	Units
Thermal Resistance Junction to Case	RθJC	1	°C/W

## Capacitance (T<sub>A</sub> = 0 to +85°C, V<sub>DD</sub> = 3.3V -5%, +5%, f = 1MHz)

Parameter	Symbol	Test Condition	Max	Units
Input Capacitance	C <sub>IN</sub>	V <sub>IN</sub> = 0V	4	pF
Data I/O Capacitance (DQ0-DQ35)	C <sub>OUT</sub>	V <sub>OUT</sub> = 0V	4	pF
K Clock Capacitance	C <sub>KCLK</sub>	V <sub>OUT</sub> = 0V	3.5	pF



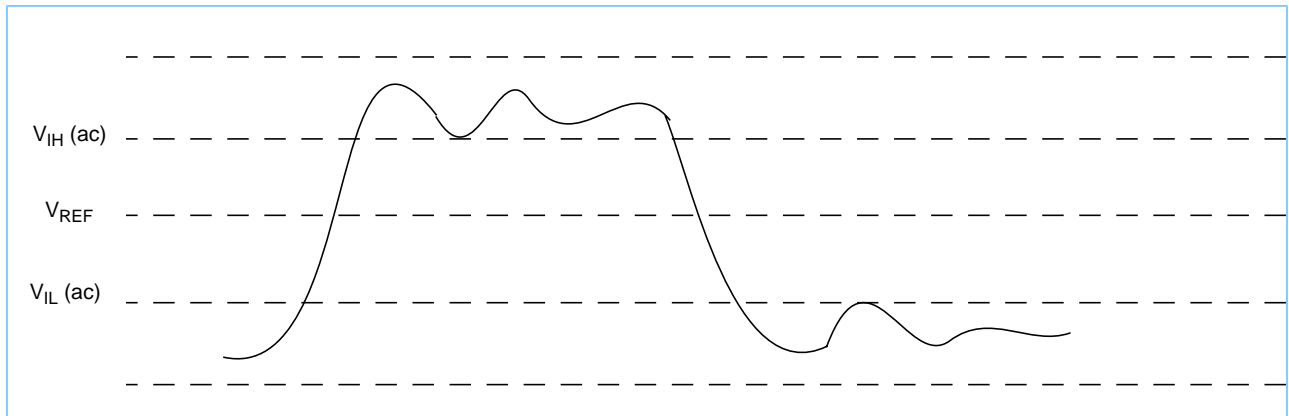


## AC Input Characteristics

Item	Symbol	Min	Max	Notes
AC Input Logic High	$V_{IH} (ac)$	0.4v		3
AC Input Logic Low	$V_{IL} (ac)$		0.4V	3
Clock Input Differential Voltage	$V_{DIF} (ac)$	0.7V		2
$V_{REF}$ Peak to Peak ac Voltage	$V_{REF} (ac)$		5% $V_{REF} (dc)$	1

1. The peak to peak AC component superimposed on  $V_{REF}$  may not exceed 5% of the DC component of  $V_{REF}$ .
2. Performance is a function of  $V_{IH}$  and  $V_{IL}$  levels to clock inputs.
3. See the AC Input Definition figure below.

## AC Input Definition



## Programmable Impedance Output Driver DC Electrical Characteristics

( $T_A = 0$  to  $+85^\circ C$ ,  $V_{DD} = 3.3V -5\%, +5\%$ ,  $V_{DDQ} = 1.5V$ )

Parameter	Symbol	Min.	Max.	Units	Notes
Output "High" Level Voltage	$V_{OH}$	$V_{DDQ} / 2$	$V_{DDQ}$	V	1, 3
Output "Low" Level Voltage	$V_{OL}$	$V_{SS}$	$V_{DDQ} / 2$	V	2, 3

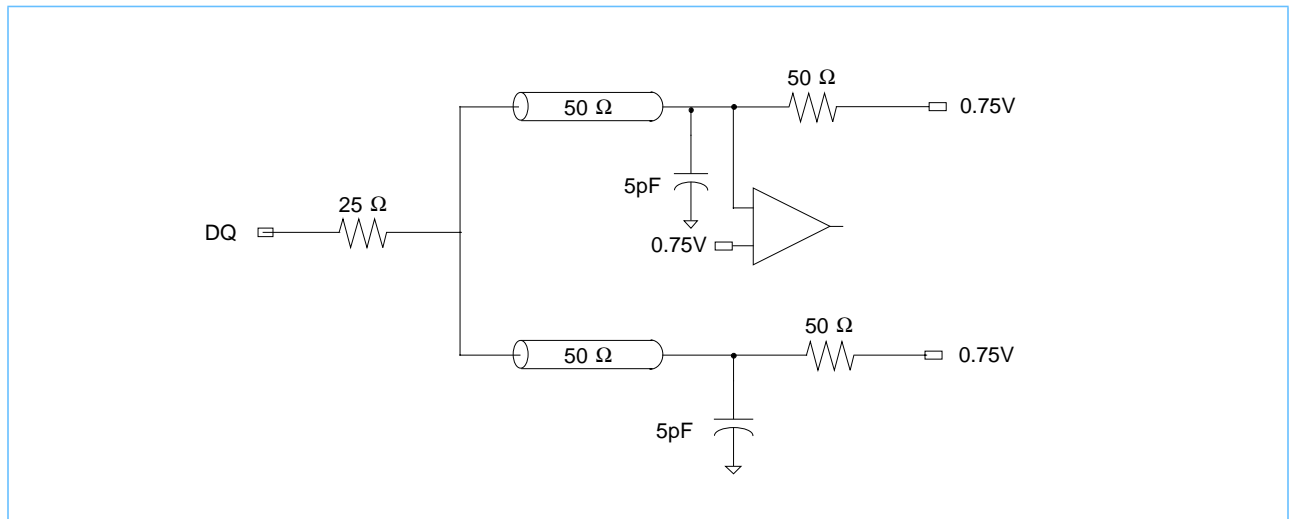
1.  $I_{OH} = \left(\frac{V_{DDQ}}{2}\right) / \left(\frac{R_Q}{5} + 5\right) \pm 15\%$  @  $V_{OH} = V_{DDQ} / 2$  For:  $175\Omega \leq R_Q \leq 350\Omega$ .
2.  $I_{OL} = \left(\frac{V_{DDQ}}{2}\right) / \left(\frac{R_Q}{5}\right) \pm 23\%$  @  $V_{OL} = V_{DDQ} / 2$  For:  $175\Omega \leq R_Q \leq 350\Omega$ .
3. Parameter tested with  $R_Q = 250\Omega$  and  $V_{DDQ} = 1.5V$ .

**AC Test Conditions** ( $T_A = 0$  to  $+85^\circ\text{C}$ ,  $V_{DD} = 3.3\text{V} -5\%, +5\%$ ,  $V_{DDQ} = 1.5\text{V}$ )

Parameter	Symbol	Conditions	Units	Notes
Output Driver Supply Voltage	$V_{DDQ}$	1.5		
Input High Level	$V_{IH}$	1.25	V	
Input Low Level	$V_{IL}$	0.25	V	
Input Reference Voltage	$V_{REF}$	0.75	V	
Differential Clocks Voltage	$V_{DIF-CLK}$	0.75	V	
Clocks Common Mode Voltage	$V_{CM-CLK}$	0.75	V	
Input Rise Time	$T_R$	0.5	ns	
Input Fall Time	$T_F$	0.5	ns	
I/O Signals Reference Level (except K, C Clocks)		0.75	V	
Clocks Reference Level		Differential Cross Point	V	
Output Load Conditions				1, 2

1. See the AC Test Loading figure below.  
 2. Parameter tested with  $R_Q = 250\Omega$  and  $V_{DDQ} = 1.5\text{V}$ .

**AC Test Loading**



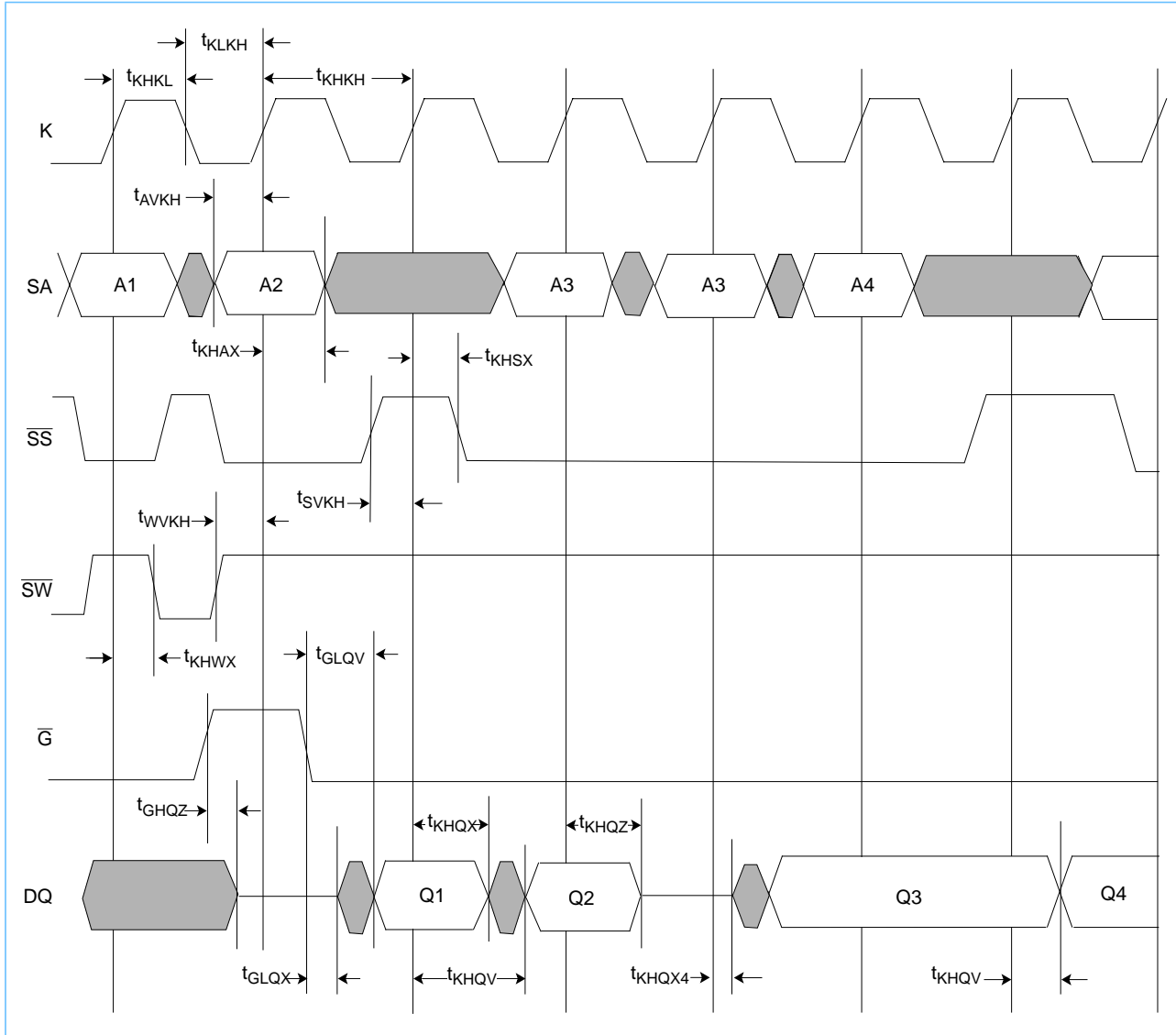


**AC Characteristics** ( $T_A = 0$  to  $+85^\circ\text{C}$ ,  $V_{DD} = 3.3\text{V} -5\%, +5\%$ )

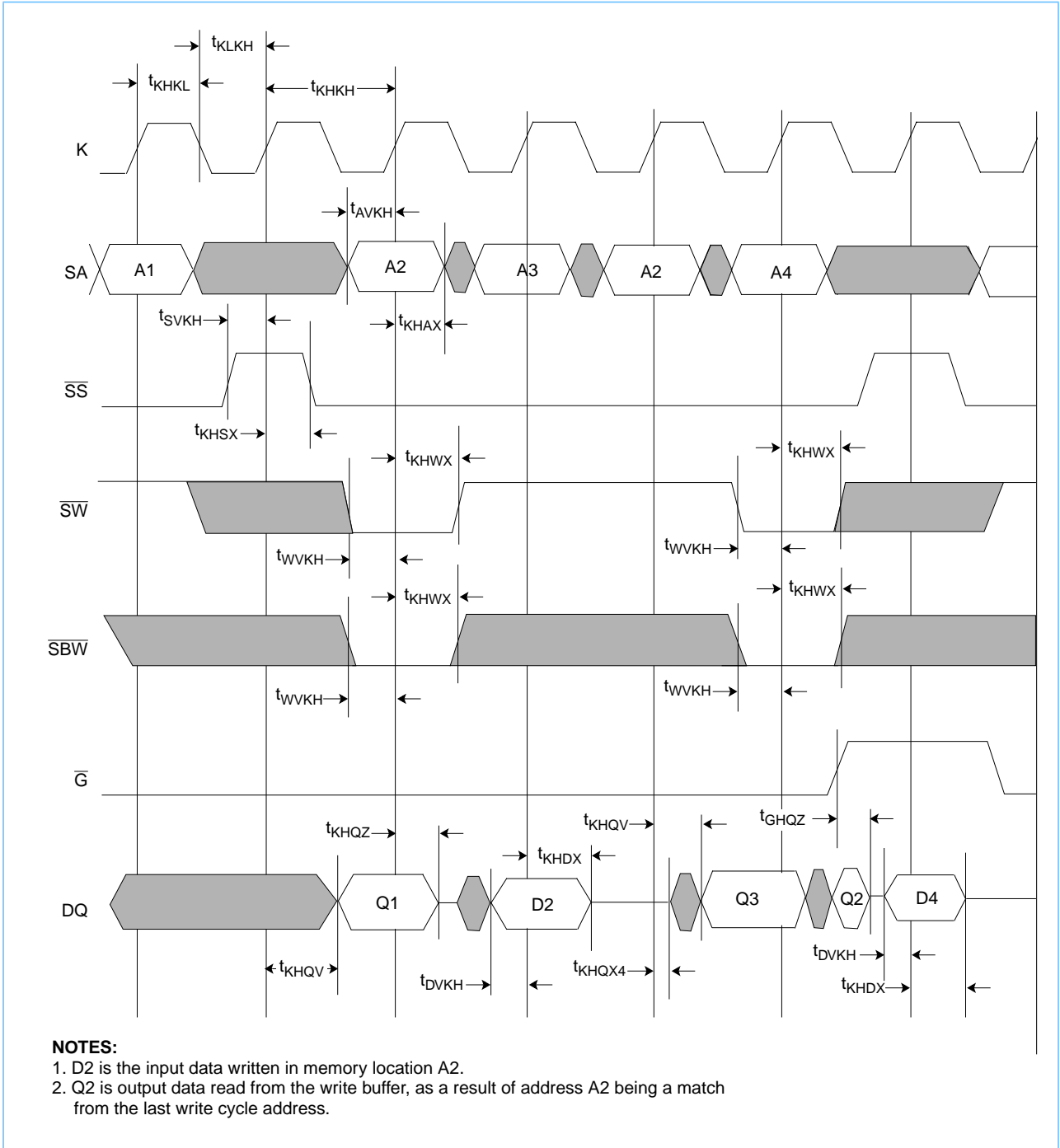
Parameter	Symbol	3		3N		4		5		Units	Notes
		Min.	Max.	Min.	Max.	Min.	Max.	Min.	Max.		
Cycle Time	$t_{KHKH}$	3.0	—	3.7	—	4.0	—	5.0	—	ns	
Clock High Pulse Width	$t_{KHKL}$	1.2	—	1.5	—	1.5	—	1.5	—	ns	
Clock Low Pulse Width	$t_{KLKH}$	1.2	—	1.5	—	1.5	—	1.5	—	ns	
Clock to Output Valid	$t_{KHQV}$	—	1.7	—	1.8	—	2.0	—	2.25	ns	1
Address Setup Time	$t_{AVKH}$	0.5	—	0.5	—	0.5	—	0.5	—	ns	3
Address Hold Time	$t_{KHAX}$	0.5	—	0.5	—	0.5	—	1.0	—	ns	3
Sync Select Setup Time	$t_{SVKH}$	0.5	—	0.5	—	0.5	—	0.5	—	ns	3
Sync Select Hold Time	$t_{KHSX}$	0.5	—	0.5	—	0.5	—	1.0	—	ns	3
Write Enables Setup Time	$t_{WVKH}$	0.5	—	0.5	—	0.5	—	0.5	—	ns	3
Write Enables Hold Time	$t_{KHWX}$	0.5	—	0.5	—	0.5	—	1.0	—	ns	3
Data In Setup Time	$t_{DVKH}$	0.5	—	0.5	—	0.5	—	0.5	—	ns	3
Data In Hold Time	$t_{KHDX}$	0.5	—	0.5	—	0.5	—	1.0	—	ns	3
Data Out Hold Time	$t_{KHQX}$	0.5	—	0.5	—	0.5	—	0.5	—	ns	1
Clock High to Output High-Z	$t_{KHQZ}$	—	2.25	—	2.25	—	2.25	—	2.5	ns	1, 4
Clock High to Output Active	$t_{KHQX4}$	0.5	—	0.5	—	0.5	—	0.5	—	ns	1, 4
Output Enable to High-Z	$t_{GHQZ}$	—	2.0		2.0		2.0	—	2.5	ns	1, 4
Output Enable to Low-Z	$t_{GLQX}$	0.5	—	0.5	—	0.5	—	0.5	—	ns	1
Output Enable to Output Valid	$t_{GLQV}$	—	2.0	—	2.0	—	2.0	—	2.5	ns	1
Output Enable Setup Time	$t_{GHKH}$	0.5	—	0.5	—	0.5	—	0.5	—	ns	1, 2
Output Enable Hold Time	$t_{KHGX}$	1.5	—	1.5	—	1.5	—	1.5	—	ns	1, 2
Sleep Mode Setup Time	$t_{ZVKH}$	1.0	—	1.0	—	1.0	—	1.0	—	1.0	—
Sleep Mode Hold Time	$t_{KHZX}$	1.0	—	1.0	—	1.0	—	1.0	—	1.0	—
Sleep Mode Recovery Time	$t_{ZZR}$	200	—	200	—	200	—	200	—	ns	
Sleep Mode Enable Time	$t_{ZZE}$	—	6	—	7.4	—	8	—	10	ns	

1. See the AC Test Loading figure on page 10.
2. Output Driver Impedance update specifications for  $\bar{G}$  induced updates. Write and Deselect cycles will also induce Output Driver updates during High-Z.
3. During normal operation,  $V_{IH}$ ,  $V_{IL}$ ,  $T_{RISE}$ , and  $T_{FALL}$  of inputs must be within 20% of  $V_{IH}$ ,  $V_{IL}$ ,  $T_{RISE}$ , and  $T_{FALL}$  of Clock.
4. Verified by design and tested without guardbands.

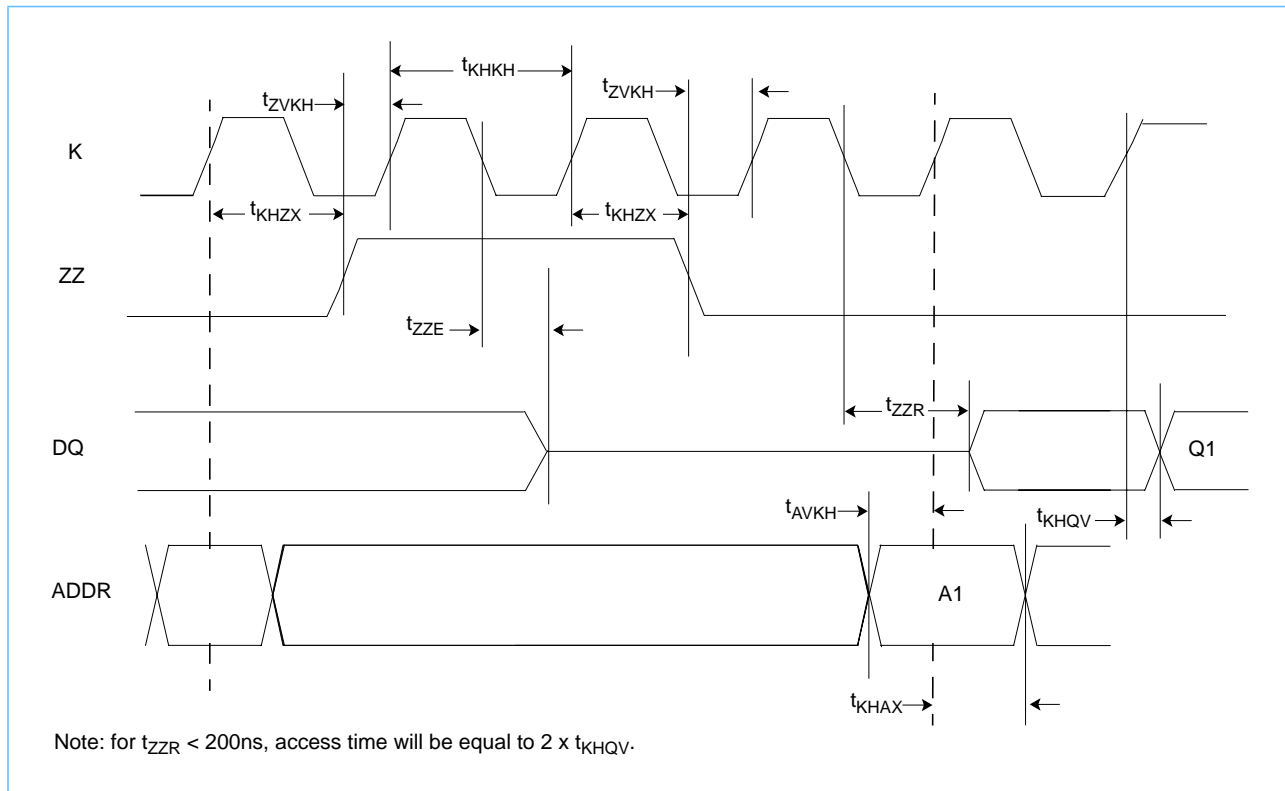
### Read and Deselect Cycles Timing Diagram



### Read Write Cycles Timing Diagram



### Synchronous Sleep Mode Timing Diagram





## IEEE 1149.1 TAP and Boundary Scan

The SRAM provides a limited set of JTAG functions intended to test the interconnection between SRAM I/Os and printed circuit board traces or other components. There is no multiplexer in the path from I/O pins to the RAM core.

In conformance with IEEE Std. 1149.1, the SRAM contains a TAP controller, Instruction register, Boundary Scan register, Bypass register, and ID register.

The TAP controller has a standard 16-state machine that resets internally upon power-up; therefore, TRST signal is not required.

### Signal List

- TCK: Test Clock
- TMS: Test Mode Select
- TDI: Test Data In
- TDO: Test Data Out

## JTAG DC Operating Characteristics ( $T_A = 0$ to $+85^\circ\text{C}$ )

Operates with JEDEC Standard JESD8A (3.3V) logic signal levels

Parameter	Symbol	Min.	Typ.	Max.	Units	Notes
JTAG Input High Voltage	$V_{IH1}$	2.2	—	$V_{DD} + 0.3$	V	1
JTAG Input Low Voltage	$V_{IL1}$	-0.3	—	0.8	V	1
JTAG Output High Level	$V_{OH1}$	2.4	—	—	V	1, 2
JTAG Output Low Level	$V_{OL1}$	—	—	0.4	V	1, 3

1. All JTAG inputs and outputs are LVTTTL compatible only.
2.  $I_{OH1} \geq -|8\text{mA}|$ .
3.  $I_{OL1} \geq +|8\text{mA}|$ .

## JTAG AC Test Conditions ( $T_A = 0$ to $+85^\circ\text{C}$ , $V_{DD} = 3.3\text{V} -5\%, +5\%$ )

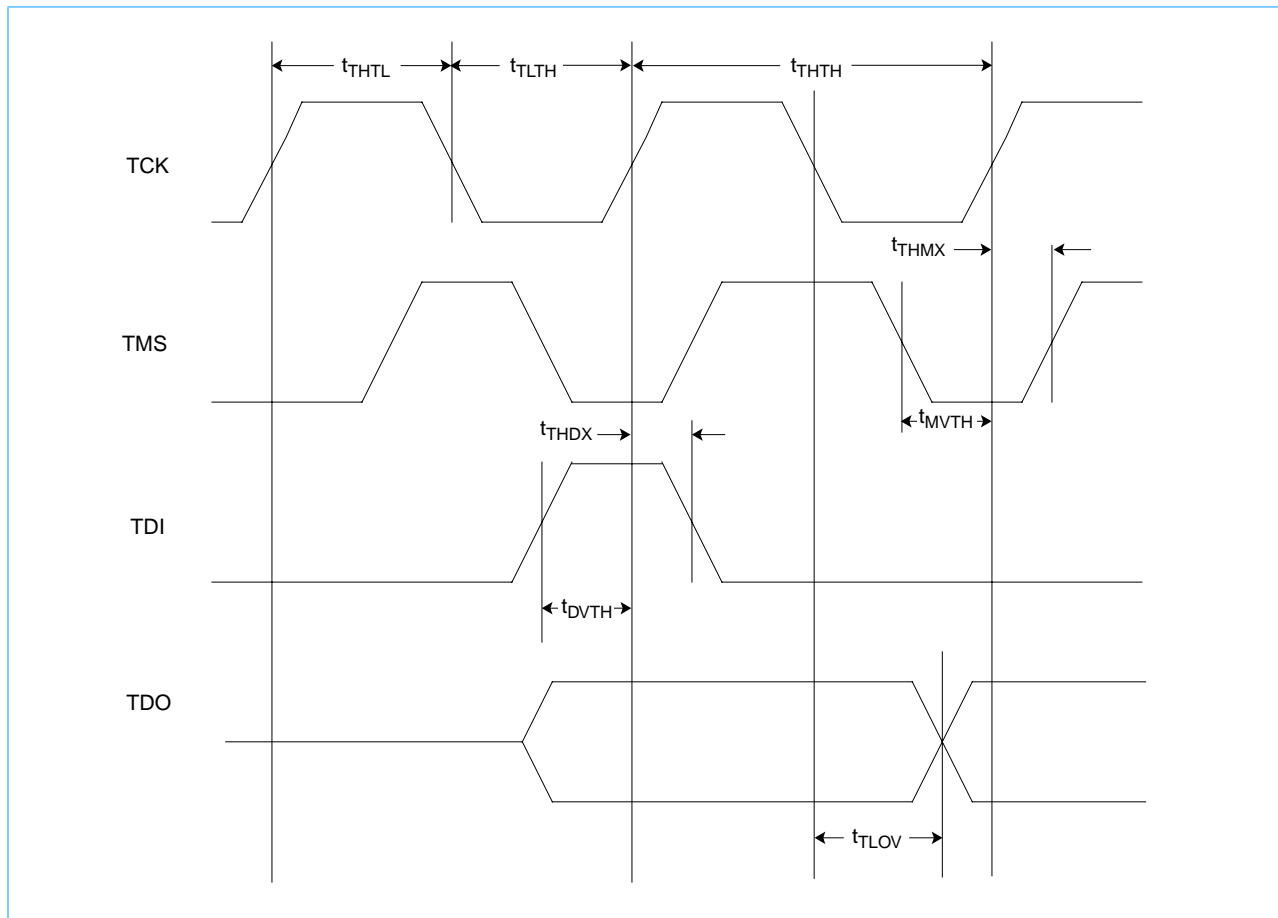
Parameter	Symbol	Conditions	Units
Input Pulse High Level	$V_{IH1}$	3.0	V
Input Pulse Low Level	$V_{IL1}$	0.0	V
Input Rise Time	$T_{R1}$	2.0	ns
Input Fall Time	$T_{F1}$	2.0	ns
Input and Output Timing Reference Level		1.5	V

### JTAG AC Characteristics ( $T_A = 0$ to $+85^\circ\text{C}$ , $V_{DD} = 3.3\text{V} -5\%, +5\%$ )

Parameter	Symbol	Min.	Max.	Units	Notes
TCK Cycle Time	$t_{\text{THTH}}$	20	—	ns	
TCK High Pulse Width	$t_{\text{HTL}}$	7	—	ns	
TCK Low Pulse Width	$t_{\text{LTH}}$	7	—	ns	
TMS Setup	$t_{\text{MVTH}}$	4	—	ns	
TMS Hold	$t_{\text{THMX}}$	4	—	ns	
TDI Setup	$t_{\text{DVTH}}$	4	—	ns	
TDI Hold	$t_{\text{THDX}}$	4	—	ns	
TCK Low to Valid Data	$t_{\text{TLOV}}$	—	7	ns	1

1. See the AC Test Loading figure on page 10.

### JTAG Timing Diagram







## Scan Register Definition

Register Name	Bit Size x18	Bit Size x36
Instruction	3	3
Bypass	1	1
ID	32	32
Boundary Scan *	51	70

\* The Boundary Scan chain consists of the following bits:

- 36 or 18 bits for Data Inputs, depending on x18 or x36 configuration
- 18 bits for SA0 - SA17 in x36, 19 bits for SA0 - SA18 in x18
- 4 bits for SBW<sub>a</sub> - SBW<sub>d</sub> in x36, 2 bits for SBW<sub>a</sub> and SBW<sub>b</sub> in x18
- 9 bits for K,  $\bar{K}$ , ZQ,  $\bar{SS}$ ,  $\bar{G}$ , SW, ZZ, M1 and M2
- 3 bits for Place Holders for 8 Mb, 4bits for Place Holders for 4Mb

\* K and  $\bar{K}$  clocks connect to a differential receiver that generates a single-ended clock signal. This signal and its inverted value are used for Boundary Scan sampling.

## ID Register Definition

Part	Field Bit Number and Description				
	Revision Number (31:28)	Device Density and Configuration (27:18)	Vendor Definition (17:12)	Manufacturer JEDEC Code (11:1)	Start Bit(0)
128K x 36	xxxx	011 010 1100	xxxxxx	000 101 001 00	1
256K x 18	xxxx	011 100 1011	xxxxxx	000 101 001 00	1
512K x 18	xxxx	101 111 0011	xxxxxx	000 101 001 00	1
256K x 36	xxxx	101 101 0100	xxxxxx	000 101 001 00	1



## Instruction Set

Code	Instruction	Notes
000	SAMPLE-Z	1
001	IDCODE	
010	SAMPLE-Z	1
011	PRIVATE	5
100	SAMPLE	4
101	PRIVATE	5
110	PRIVATE	5
111	BYPASS	2, 3

1. Places DQs in High-Z in order to sample all input data regardless of other SRAM inputs.
2. TDI is sampled as an input to the first ID register to allow for the serial shift of the external TDI data.
3. BYPASS register is initiated to  $V_{SS}$  when BYPASS instruction is invoked. The BYPASS register also holds the last serially loaded TDI when exiting the Shift DR state.
4. SAMPLE instruction does not place DQs in High-Z.
5. This instruction is reserved for the exclusive use of IBM. Invoking this instruction will cause improper SRAM functionality.

## List of IEEE 1149.1 Standard Violations

- 7.2.1.b, e
- 7.7.1.a-f
- 10.1.1.b, e
- 10.7.1.a-d
- 6.1.1.d



**Boundary Scan Order (128K x 36), (256K x 36) (PH = Place Holder)**

Exit Order	Signal	Bump #	Exit Order	Signal	Bump #	Exit Order	Signal	Bump #
1	M2	5R	25	DQ12	6F	49	DQ26	2H
2	SA	4P	26	DQ13	7E	50	DQ25	1H
3	SA	4T	27	DQ11	6E	51	$\overline{SBWc}$	3G
4	SA	6R	28	DQ10	7D	52	ZQ	4D
5	SA	5T	29	DQ9	6D	53	$\overline{SS}$	4E
6	ZZ	7T	30	SA	6A	54	PH <sup>1</sup>	4G
7	DQ0	6P	31	SA	6C	55	PH <sup>2</sup>	4H
8	DQ1	7P	32	SA	5C	56	$\overline{SW}$	4M
9	DQ2	6N	33	SA	5A	57	$\overline{SBWd}$	3L
10	DQ4	7N	34	PH <sup>1</sup> (4Mb), SA(8Mb)	6B	58	DQ34	1K
11	DQ3	6M	35	SA	5B	59	DQ35	2K
12	DQ5	6L	36	SA	3B	60	DQ33	1L
13	DQ6	7L	37	PH <sup>1</sup>	2B	61	DQ32	2L
14	DQ8	6K	38	SA	3A	62	DQ30	2M
15	DQ7	7K	39	SA	3C	63	DQ29	1N
16	$\overline{SBWa}$	5L	40	SA	2C	64	DQ31	2N
17	$\overline{K}$	4L	41	SA	2A	65	DQ28	1P
18	K	4K	42	DQ18	2D	66	DQ27	2P
19	G	4F	43	DQ19	1D	67	SA	3T
20	$\overline{SBWb}$	5G	44	DQ20	2E	68	SA	2R
21	DQ16	7H	45	DQ22	1E	69	SA	4N
22	DQ17	6H	46	DQ21	2F	70	M1	3R
23	DQ15	7G	47	DQ23	2G			
24	DQ14	6G	48	DQ24	1G			

1. Input of PH register connected to V<sub>SS</sub>.
2. Input of PH register connected to V<sub>DD</sub>



### Boundary Scan Order (256K x 18), (512K x 18) (PH = Place Holder)

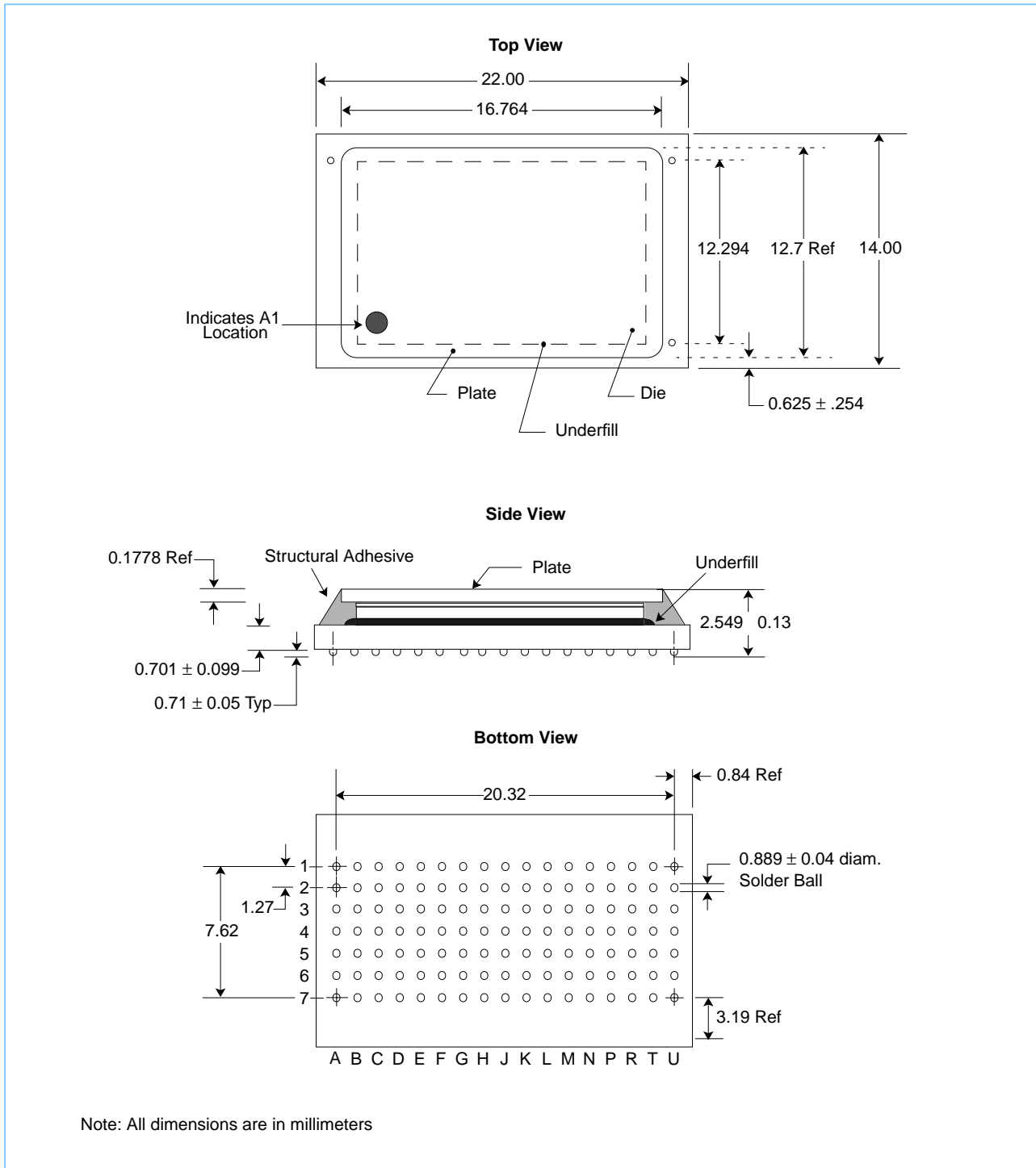
Exit Order	Signal	Bump #	Exit Order	Signal	Bump #
1	M2	5R	27	PH <sup>1</sup>	2B
2	SA	6T	28	SA	3A
3	SA	4P	29	SA	3C
4	SA	6R	30	SA	2C
5	SA	5T	31	SA	2A
6	ZZ	7T	32	DQ14	1D
7	DQ5	7P	33	DQ15	2E
8	DQ6	6N	34	DQ16	2G
9	DQ7	6L	35	DQ17	1H
10	DQ8	7K	36	$\overline{SBWb}$	3G
11	$\overline{SBWa}$	5L	37	ZQ	4D
12	$\overline{K}$	4L	38	$\overline{SS}$	4E
13	K	4K	39	PH <sup>1</sup>	4G
14	$\overline{G}$	4F	40	PH <sup>2</sup>	4H
15	DQ4	6H	41	$\overline{SW}$	4M
16	DQ3	7G	42	DQ13	2K
17	DQ2	6F	43	DQ12	1L
18	DQ1	7E	44	DQ10	2M
19	DQ0	6D	45	DQ11	1N
20	SA	6A	46	DQ9	2P
21	SA	6C	47	SA	3T
22	SA	5C	48	SA	2R
23	SA	5A	49	SA	4N
24	PH <sup>1</sup> (4Mb), SA(8Mb)	6B	50	SA	2T
25	SA	5B	51	M1	3R
26	SA	3B			

1. Input of PH register connected to V<sub>SS</sub>.
2. Input of PH register connected to V<sub>DD</sub>.

### TAP Controller State Machine



## 7 x17 BGA Dimensions





## References

The following documents give recommendations, restrictions, and limitations for 2nd level attach process:

[Double Sided 4Mb SRAM Coupled Cap PBGA Card Assembly Guide](#)

Qualification information, including the scope of application conditions qualified, is available from your marketing representative.



## Revision Log

Revision	Contents of Modification
9/98	Initial release.
11/98	Input Levels adjusted. Changed part number from Rev A to B.
2/17/99	Add 3N speed sort, with Cycle=3.7ns and KHQV=1.85ns
7/12/99	See 7 x17 BGA Dimensions on page 22.
8/99	See DC Electrical Characteristics on page 8. -Change $I_{SBSS}$ to 150mA - Change $I_{SBZZ}$ to 10mA See 7 x17 BGA Dimensions on page 22 - Drawing improved.
3/00	Modified datasheet for Synchronous Sleep Mode. See AC Characteristics on page 11 - Sleep Mode Setup time spec added: $t_{ZVKH} = 1.0ns$ - Sleep Mode Hold time spec added: $t_{KHZX} = 1.0ns$
12/05/00	Made various minor editorial changes and format refinements.





© Copyright International Business Machines Corporation 1999, 2000

All Rights Reserved

Printed in the United States of America December 2000

The following are trademarks of International Business Machines Corporation in the United States, or other countries, or both.

IBM            IBM Logo

Other company, product and service names may be trademarks or service marks of others.

All information contained in this document is subject to change without notice. The products described in this document are NOT intended for use in implantation or other life support applications where malfunction may result in injury or death to persons. The information contained in this document does not affect or change IBM product specifications or warranties. Nothing in this document shall operate as an express or implied license or indemnity under the intellectual property rights of IBM or third parties. All information contained in this document was obtained in specific environments, and is presented as an illustration. The results obtained in other operating environments may vary.

THE INFORMATION CONTAINED IN THIS DOCUMENT IS PROVIDED ON AN "AS IS" BASIS. In no event will IBM be liable for damages arising directly or indirectly from any use of the information contained in this document.

IBM Microelectronics Division  
1580 Route 52, Bldg. 504  
Hopewell Junction,  
NY 12533-6351

The IBM home page can be found at  
<http://www.ibm.com>

The IBM Microelectronics Division home page  
can be found at <http://www.chips.ibm.com>

trrh3316.06  
12/00