



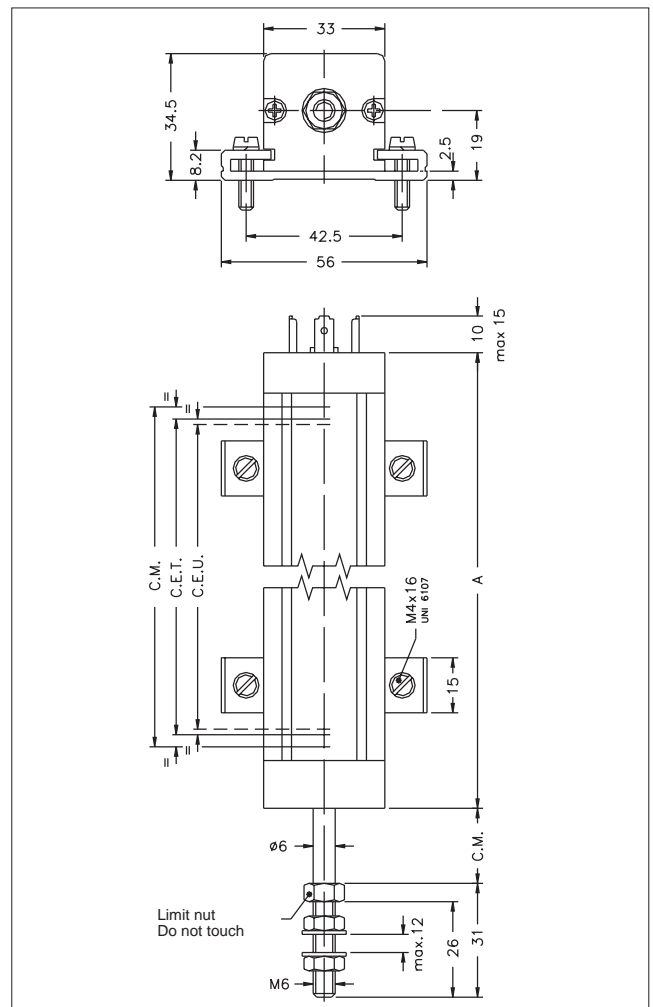
Main features

- 50 to 900 mm stroke.
- Mechanical linkage using M6 thread
- Independent linearity $\pm 0,05\%$
- Repetibility 0,01 mm.
- Infinite resolution
- No variation of electrical signal outside theoretical electrical stroke
- Displacement speed up to 5 m/s (optional 10m/s)
- Working temperature: $-30...+100^{\circ}\text{C}$
- Electrical connections:
 LT H 3 pole connector
 LT M 4 pole connector to standard DIN43650 ISO4400
 LT B 5 pole connector DIN43322
 LT F 3 pole screened cable (1m length).
- Life duration: $> 25 \times 10^6$ meters or $> 100 \times 10^6$ operations whichever is the smaller (within C.E.U.)
- Grade of protection IP60 (optional IP65)

TECHNICAL DATA

Useful electrical stroke (C.E.U.)	50/100/130/150/175/200/225/275/300/375/400/450/500/600/750/900
Independent linearity (within C.E.U.)	$\pm 0,05\%$
Displacement speed	Standard ≤ 5 m/s (optional ≤ 10 m/s)
Displacement force	$\leq 2\text{N}$ Version IP60 $\leq 10\text{N}$ Version IP65
Vibrations	5...2000Hz, $A_{\text{max}} = 0,75$ mm $a_{\text{max}} = 20$ g
Shock	50 g, 11ms.
Operative acceleration	200 m/s^2 max (20g)
Tolerance on resistance	$\pm 20\%$
Recommended cursor current	$< 0,1 \mu\text{A}$
Maximum cursor current	10mA
Maximum applicable voltage	60V
Electrical isolation	$> 100\text{M}\Omega$ at 500V~, 1bar, 2s
Dielectric strength	$< 100 \mu\text{A}$ at 500V~, 50Hz, 2s, 1bar
Dissipation at 40°C (0W at 120°C)	3W
Temp. Coeff. of the resistance	$-200 \pm 200\text{ppm}/^{\circ}\text{C}$
Actual Temperature Coefficient of the output voltage	$< 1,5\text{ppm}/^{\circ}\text{C}$
Working temperature	$-30...+100^{\circ}\text{C}$
Storage temperature	$-50...+120^{\circ}\text{C}$
Case material	Anodised aluminium Nylon 66 GF 40
Control rod material	Stainless steel AISI 303
Fixing	Brackets with variable longitudinal axis

MECHANICAL DIMENSIONS

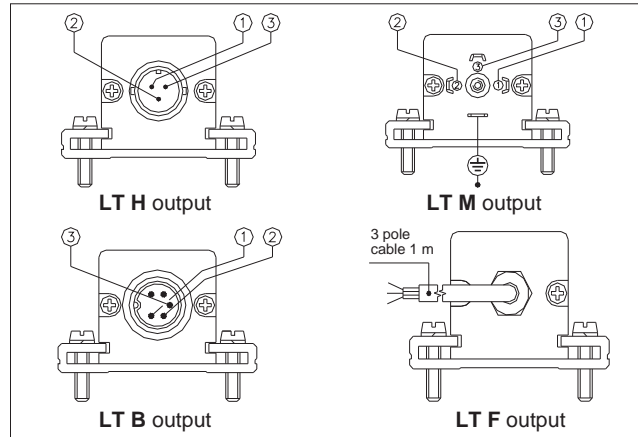
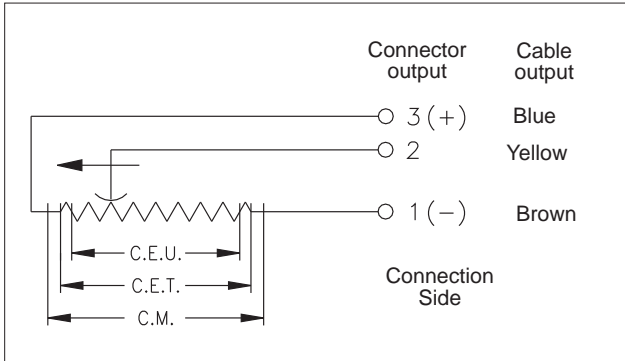


Important: all the data reported in the catalogue linearity, lifetime, temperature coefficient are valid for a sensor utilization as a ratiometric device with a max current across the cursor $I_c \leq 0.1 \mu\text{A}$.

MECHANICAL / ELECTRICAL DATA

MODEL		50	100	130	150	175	200	225	275	300	375	400	450	500	600	750	900		
Useful electrical stroke (C.E.U.) +3/-0	mm	50	100	130	150	175	200	225	275	300	375	400	450	500	600	750	900		
Theoretical electrical stroke (C.E.T.) ±1	mm	C.E.U. + 3					C.E.U. + 4					380	406	457	508	609	762	914	
Resistance (C.E.T.)	kΩ	5					5					5	5	5	5	10	10		
Mechanical stroke (C.M.)	mm	C.E.U. + 9					C.E.U. + 10					386	412	463	518	619	772	924	
Case length (A)	mm	C.E.U. + 62					C.E.U. + 63					439	465	516	571	672	825	977	

ELECTRICAL CONNECTIONS



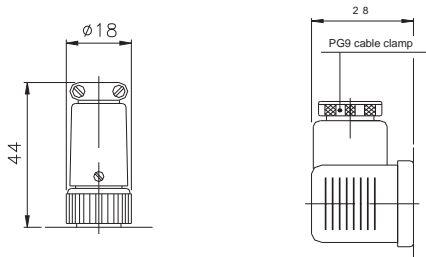
ACCESSORIES

STANDARD ACCESSORIES

Fixing kit for LT: 2 brackets, screws, grower

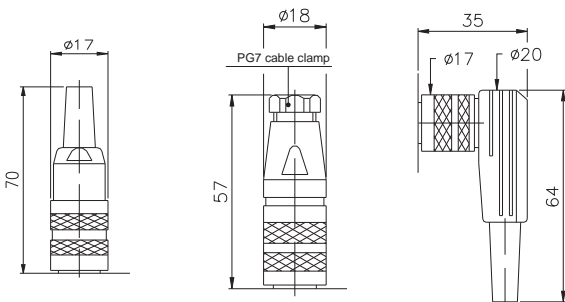
Code

PKIT009



CON002 - IP40 Protection (3 pole Female connector)

CON006 - IP65 Protection (DIN43650 4 pole Female connector)



CON011- IP40 Prot. (DIN43322 - 5 pole Female conn.)

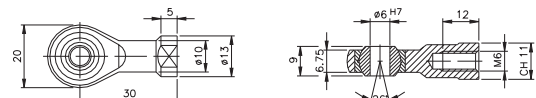
CON012- IP67 Prot. (DIN43322 - 5 pole Female conn.)

CON013- IP40 Prot. (DIN43322 - 5 pole Female conn.)

Extraction length of the connector 10mm.

Coupling ball-joint

PKIT 015



ORDER CODE

Displacement transducer

LT

3 pole connector output	H
4 pole connector output DIN43650 ISO4400	M
5 pole connector output DIN43322	B
3 pole PVC cable output 3x0,25 1m	F

Model

Standard version

IP60

Version

IP65

H

M

B

F

If requested, it is possible to supply models with non-standard mechanical and/or electrical features

Example: LT - M - 275 - S

Displacement transducer model LT, 4 pole connector output
DIN 43650 - ISO 4400, useful electrical stroke (C.E.U.)
275mm, standard version IP60.

GEFRAN spa reserves the right to make any kind of design or functional modification at any moment without prior notice



LEADER Electronic Co., Ltd

116, Jianghuali, Jianghua Road, Jiangmen City, GD, PRC

Tel: + 86 750 3101711, 3379183

Fax: + 86 750 3388669

Website: www.leadersensors.com

E-mail: leader@leadersensors.com



UNI EN 29001 - ISO 9001
Certificato nr. 9116.0021

cod. 84857 10/00