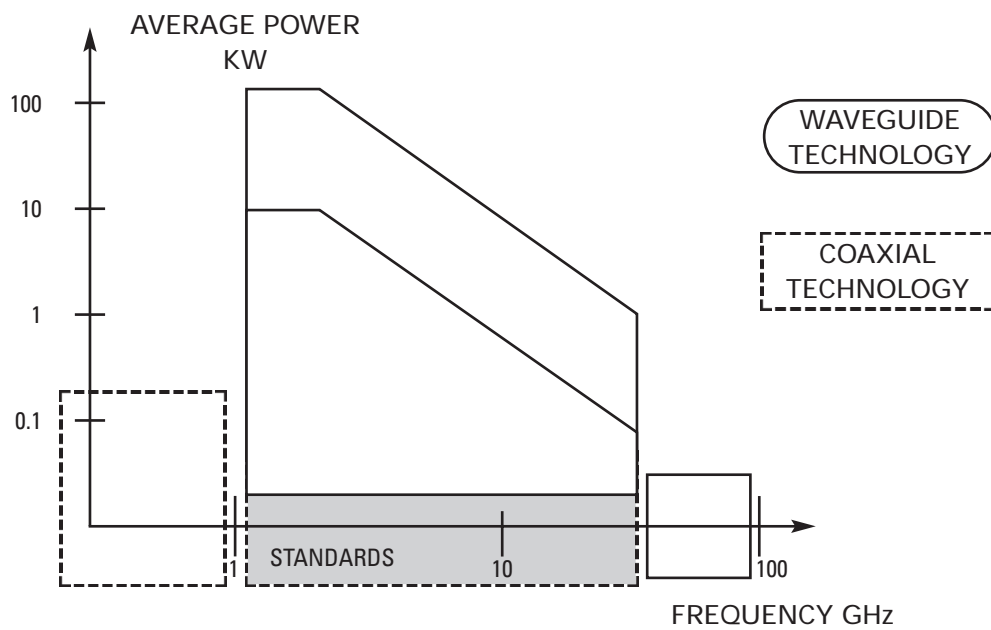


**STANDARD COAXIAL DEVICES 1 TO 18 GHz**



# COAXIAL DEVICES

Standard coaxial devices 1 to 18 GHz



## General information

TEMEX COMPONENTS offers the worldwide market a broad range of coaxial circulators and isolators, covering the frequency range 1 GHz to 18 GHz.

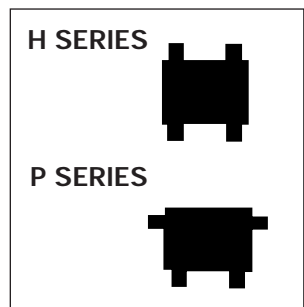
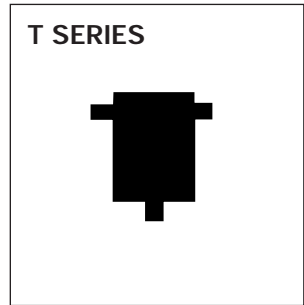
This catalog describes standard three-port circulators and isolators.

## General description

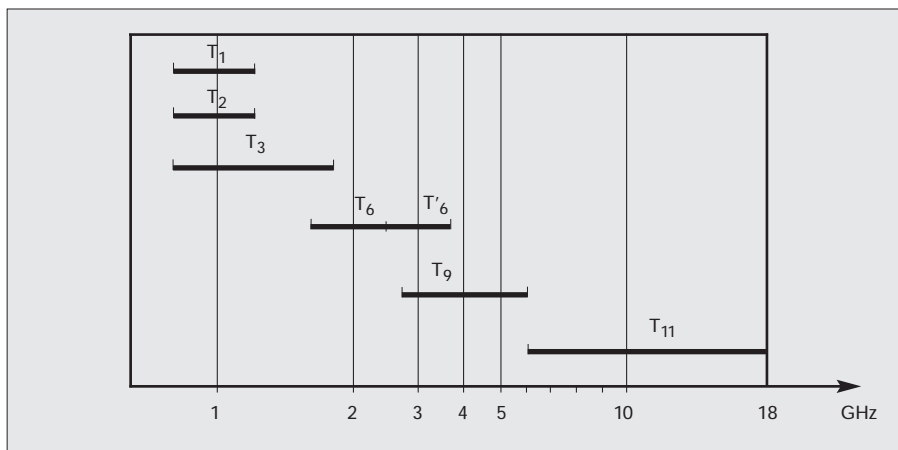
4-port are available upon request, based on standard 3-port designs. Please consult your local sales offices for further information.

These devices are used for popular bandwidth, with an average power of 10, 20, 30, 50 W depending on the frequency.

- Seven standards "T" packages.
- The standard unit has KMR/SMA female connectors and when used as an isolator, an internal 60 W peak/1 W AVG termination on port 3.
- T1 and T2 series are dedicated to high average power applications.



## Standard cases versus frequency



*Electrical specifications*

Type		Frequency range (GHz)	Specifications at 25° C			Spec. in temperature range			Circulator		Temperature range ° C	Weight g. approx.
Circulator	Isolator		Isolation min. dB	Inser. loss max dB	VSWR max	Isolation min. dB	Inser. loss max dB	VSWR max	Avg. power max W	Peak power max kW		
<b>Outline drawing</b> <b>T1: 50.8 x 50.3 x 32 mm approx.</b>												
BD3037 <sup>(1,2)</sup>	-	1.452 - 1.492	22	0.2	1.20	20	0.3	1.25	250	2.5	0 to +55	450
BD3063 <sup>(1,2)</sup>	-	1.452 - 1.492	20	0.2	1.22	18	0.3	1.30	350	4.0	0 to +55	50
<b>Outline drawing</b> <b>T2: 50 x 50 x 26 mm approx.</b>												
BD3064 <sup>(1,2)</sup>	-	1.452 - 1.492	22	0.2	1.20	20	0.3	1.25	100	1.0	0 to +55	380
<b>Outline drawing</b> <b>T3: 31.6 x 33.2 x 19 mm approx.</b>												
BD3017	BD1017	1.2 - 1.4	19	0.4	1.30	18	0.5	1.30	50	1.0	-10 to +55	110
BD3018	BD1018	1.4 - 1.7	19	0.4	1.30	18	0.5	1.30	50	1.0	-10 to +55	110
<b>Outline drawing</b> <b>T6: 25.4 x 25.8 x 13.7 mm approx.</b>												
BE3019	BE1019	2.2 - 2.4	20	0.4	1.25	18	0.5	1.30	10	0.5	-10 to +55	60
<b>Outline drawing</b> <b>T'6: 25.4 x 25.8 x 13.7 mm approx.</b>												
BE3026	BE1026	2.7 - 3.1	20	0.4	1.25	18	0.5	1.30	10	0.1	-10 to +55	60
<b>Outline drawing</b> <b>T9: 22 x 25 x 14 mm approx.</b>												
BE3027	BE1027	2.8 - 3.1	23	0.3	1.20	20	0.4	1.25	20	0.5	-10 to +70	55
BF3005	BF1005	3.1 - 3.5	23	0.3	1.20	20	0.4	1.25	20	0.5	-10 to +70	55
BF3007	BF1007	3.7 - 4.2	23	0.3	1.20	20	0.4	1.25	20	0.5	-10 to +70	55
<b>Outline drawing</b> <b>T11: 12.7 x 17.2 x 12.8 mm approx.</b>												
BH3005	BH1005	5.9 - 6.4	20	0.3	1.25	20	0.4	1.25	30	0.3	-25 to +70	25
BH3006	BH1006	6.4 - 7.1	20	0.3	1.25	20	0.4	1.25	30	0.3	-25 to +70	25
BH3007	BH1007	7.1 - 7.8	20	0.3	1.25	20	0.4	1.25	30	0.3	-25 to +70	25
BI3003	BI1003	7.8 - 8.7	20	0.3	1.25	20	0.4	1.25	30	0.3	-25 to +70	25
BI3004	BI1004	8.5 - 9.6	20	0.4	1.25	20	0.5	1.25	30	0.3	-25 to +70	25
BJ3011	BJ1011	9.6 - 10.6	20	0.4	1.25	20	0.5	1.25	30	0.3	-25 to +70	25
BJ3012	BJ1012	10.6 - 11.7	20	0.4	1.25	20	0.5	1.25	30	0.3	-25 to +70	25
BJ3014	BJ1014	12.5 - 13.5	20	0.4	1.25	20	0.5	1.25	30	0.3	-25 to +70	25
BJ3009	BJ1009	13.5 - 14.5	20	0.4	1.25	20	0.5	1.25	30	0.3	-25 to +70	25

Other frequencies available on request ; please consult your local sales office.

**Notes:**

- (1) With tab integrations ([ITN1/ITN2](#)) or N types connectors
- (2) Devices need to be mounted on an heat suite with thermal resistance of 0.4° C/W max

# COAXIAL DEVICES

Standard coaxial devices 1 to 18 GHz



## Packages

### Features

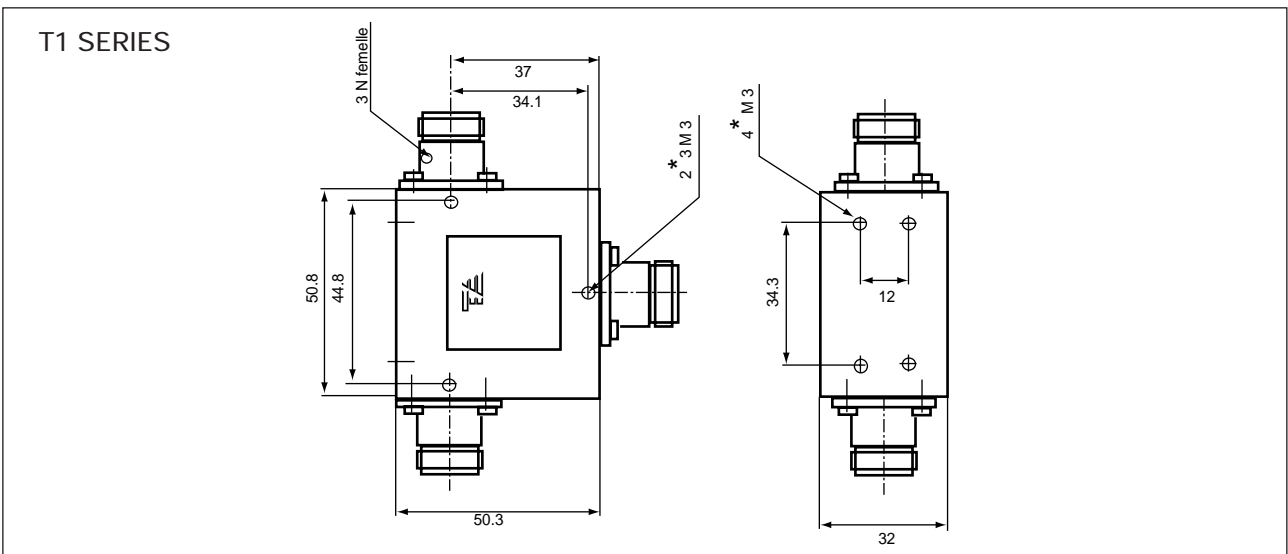
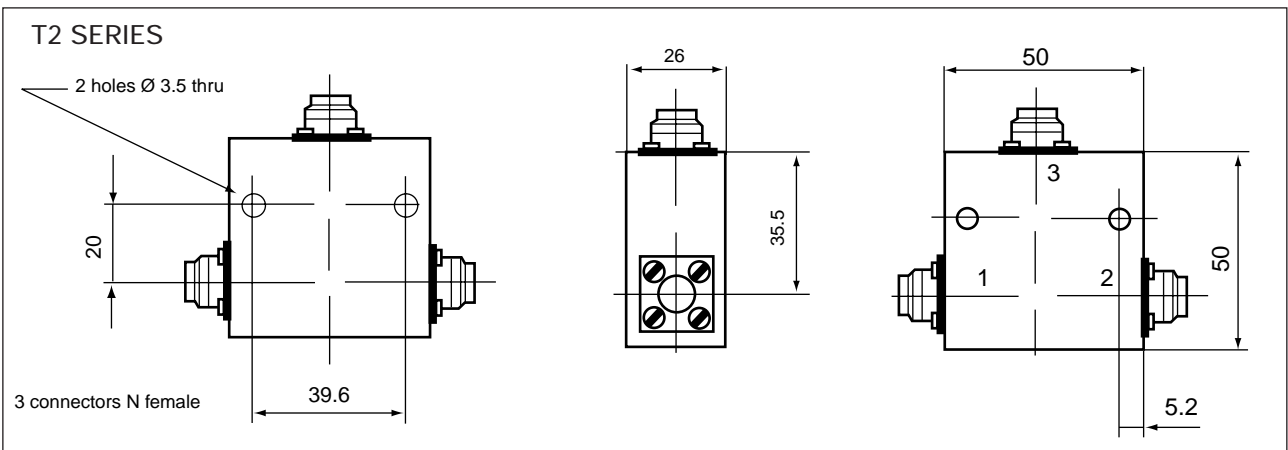
- [KMR/SMA female connectors](#) (except where noted)
- [KMR/SMA male connectors](#) available upon request
- Tabs for microstrip or stripline applications available upon request ([IT50 - IT17 - IT27](#)).

### T1 Series

### T2 Series

All dimensions in mm

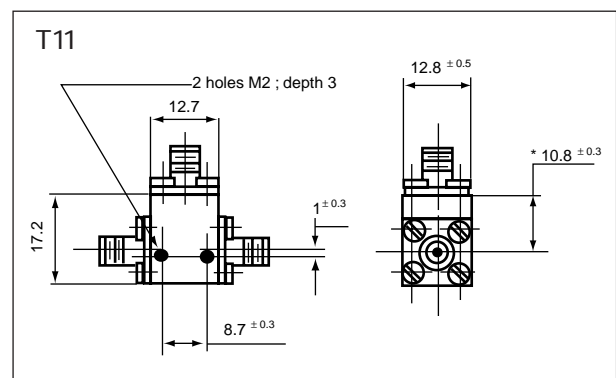
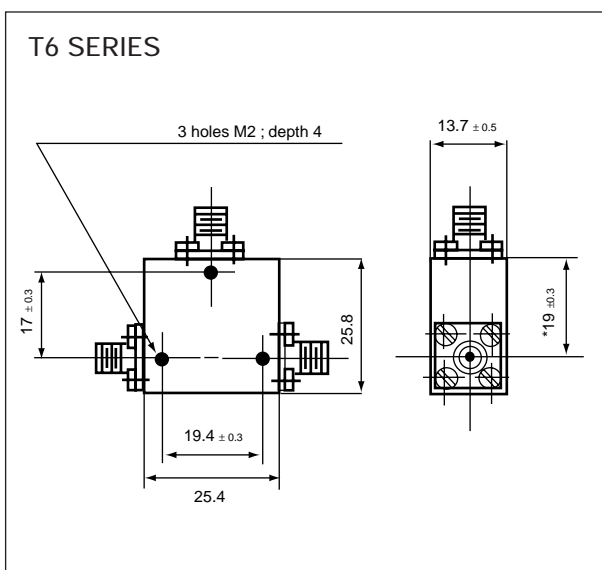
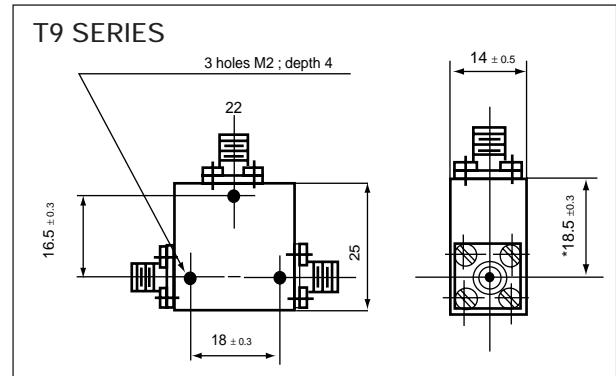
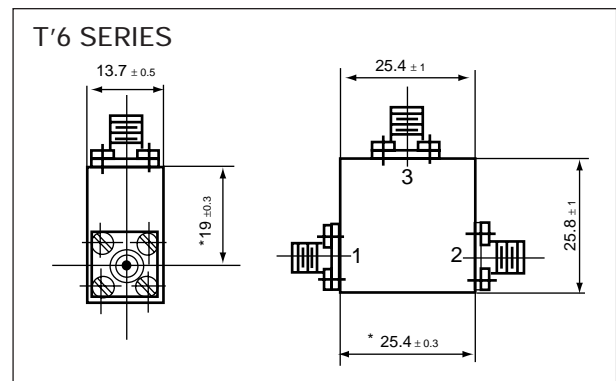
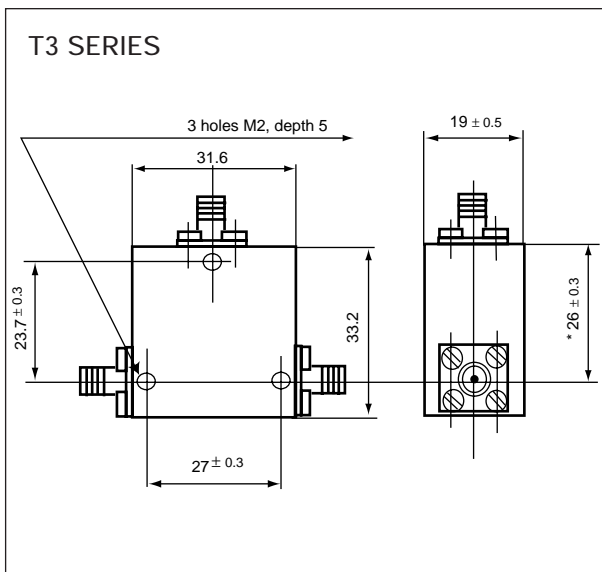
Case	L	W	H	A	B	C	D	E	F	G	Ø Holes
T1	50.8	50.3	32	44.8	34.1	0	37	25.4	3 (2 plces up) 25.4 (1 plce down)	4	3 x M3
T2	50	50	26	39.6	-	20	35.5	25	5.2	Through	2 x 3.5



Packages

Features

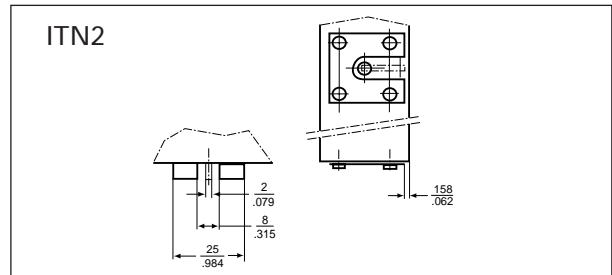
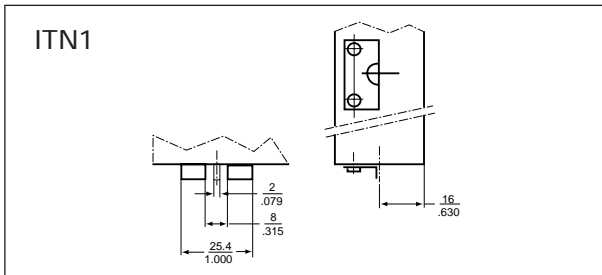
- [KMR/SMA female connectors](#) (except where noted)
- [KMR/SMA male connectors](#) available upon request
- Tabs for microstrip or stripline applications available upon request ([IT50 - IT17 - IT27](#))



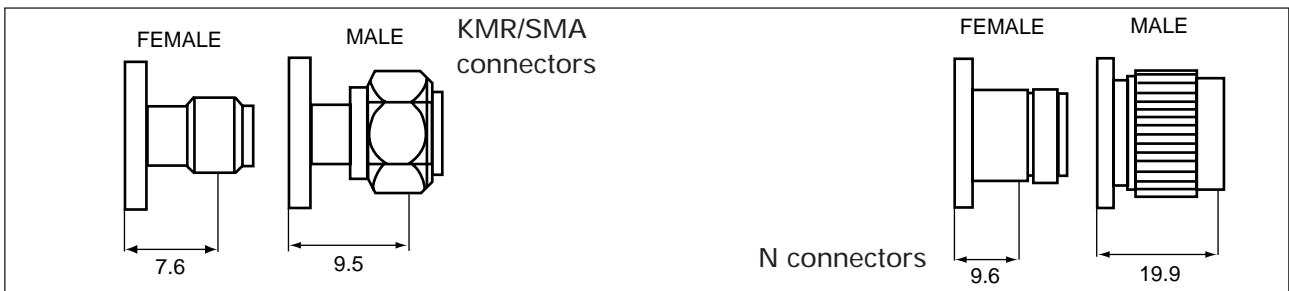
All dimensions supporting an asterisk(\*) are measured "under flanges".

**CONNECTORS & TABS**

Depending on power handling, connectorized devices are available with integrations any place, instead of the N connectors: on requirements, we can offer devices with, N, SMA or TAB style connections.



*Connectors*



*Tabs and terminations*

