

Extension Drivers (Character)

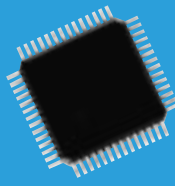
40-Out Segment extension Driver

NJU6407C

[DATA SHEET](#)

NJU6407CR

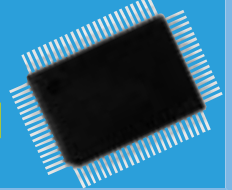
[DATA SHEET](#)



64-Out Segment extension Driver

NJU6417C

[DATA SHEET](#)



GENERAL DESCRIPTION

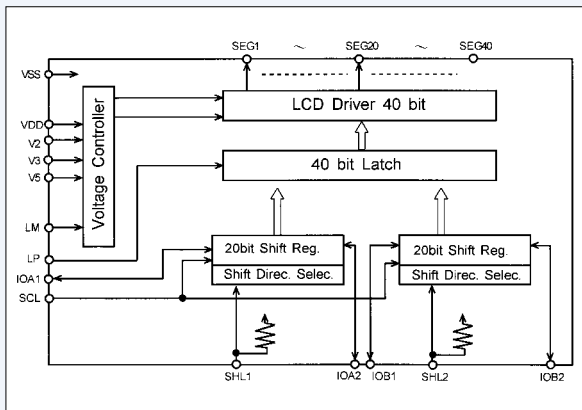
The NJU6407C/CR are serial input, 40-out segment extension driver for dot matrix LCD. It consists of bi-directional shift register, 40-bit latch(20+20), and 40-out high voltage LCD drivers.

The pin configuration of NJU6407CR is mirror inversed allocation against the NJU6407C.

FEATURES

- 40-Segment Driver
- 40-bit shift register (Two of 20bit Shift Register)
- Two Shift Direction Select Terminals
- Shift Clock : 3.3MHz
- Operating voltage : 4.5V to 5.5V
- LCD driver voltage : 13.5V max.
- Package outline : QFP56 / Chip

BLOCK DIAGRAM



GENERAL DESCRIPTION

The NJU6417C is serial input, 64-out segment extension driver for dot matrix LCD. It consists of bi-directional shift register, 64-bit latch(32+32), and 64-out high voltage LCD drivers.

FEATURES

- 64-Segment Driver
- 64-bit shift register (Two of 32bit Shift Register)
- Two Shift Direction Select Terminals
- Shift Clock : 6.0MHz (Max)
- Operating voltage : 4.5V to 5.5V
- LCD driver voltage : 13.5V max.
- Package outline : QFP80 / Chip

BLOCK DIAGRAM

