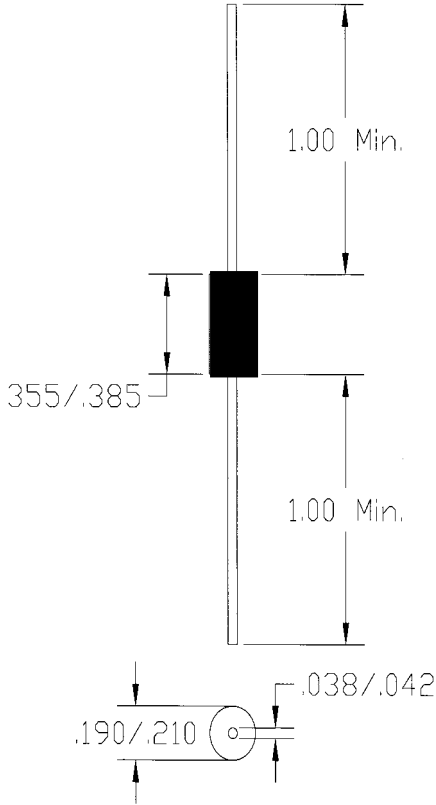


SUSSEX
SEMICONDUCTOR, INC.

ULC6

12251 TOWNE LAKE DRIVE, FORT MYERS, FLORIDA, 33913 • TEL: (941) 768-6800 • FAX: (941) 768-6868

Preliminary Data



All Dimensions In Inches

Features:

- Glass Passivated Junction
- Unidirectional and Bidirectional

Maximum Ratings:

Mechanical Characterists:

For additional Information please see charts and graphs. For even further information and to request a quote call the factory at (941) 768-6800.

CUSTOM ORDERING SPECIFIER

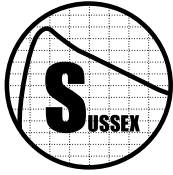
DIE SPECIFICATIONS

ULC6-

DEVICE PART NUMBER

STANDOFF VOLTAGE

- ◆ BLANK INDICATES UNIPOLAR DEVICE $\pm 10\%$ ON V_{BR}
- ◆ A INDICATES UNIPOLAR DEVICE $\pm 5\%$ ON V_{BR}
- ◆ C INDICATES BIPOLAR DEVICE $\pm 10\%$ ON V_{BR}
- ◆ CA INDICATES BIPOLAR DEVICE $\pm 5\%$ ON V_{BR}



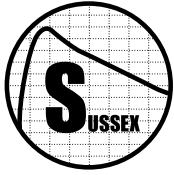
SUSSEX
SEMICONDUCTOR, INC.

ULC6

12251 TOWNE LAKE DRIVE, FORT MYERS, FLORIDA, 33913 • TEL: (941) 768-6800 • FAX: (941) 768-6868

TABLE 17A - ULC6 SERIES 600 WATT LOW CAPACITANCE ELECTRICAL SPECIFICATIONS

| SUSSEX PART NUMBERS 1500 WATT 1.5KE SERIES | STANDOFF VOLTAGE (V _{SO}) Volts | MAX. REVERSE LEAKAGE (I _R)@V _{SO} μA | REVERSE BREAKDOWN VOLTAGE (V _{BR}) @ I _T | TEST CURRENT (I _T) mA | MAX. CLAMPING VOLTAGE (V _{CL}) @ PEAK PULSE CURRENT (I _{PP}) (NOTE 3) | | MAX. CAPACITANCE (pF) |
|---|---|---|---|--|--|------|---------------------------------|
| | | | Nominal Volts | | Volts | Amps | |
| ULC6-6.8 | 6.80 | 200 | 8.00 | 10 mA | 13.0 | 60 | 35 |
| ULC6-12 | 12.00 | 5 | 15.00 | 1 mA | | | 35 |
| ULC6-24 | 24.00 | | | | | | |
| ULC6-130 | 130.00 | | | | | | |



SUSSEX
SEMICONDUCTOR, INC.

ULC6

12251 TOWNE LAKE DRIVE, FORT MYERS, FLORIDA, 33913 • TEL: (941) 768-6800 • FAX: (941) 768-6868

Disclaimer:

Sussex Semiconductor, Inc believes that the information contained in this publication is an accurate description of the typical characteristics. However, it is your responsibility to thoroughly test the product in your specific application to determine its performance, efficacy and safety.