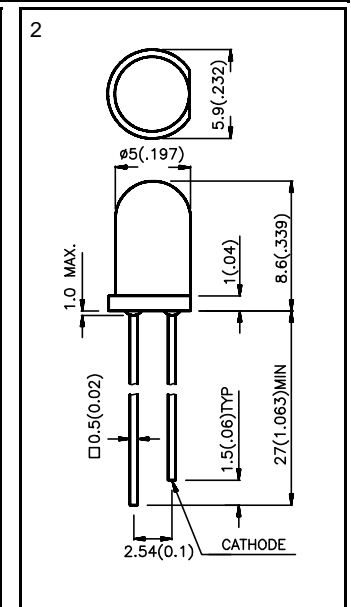
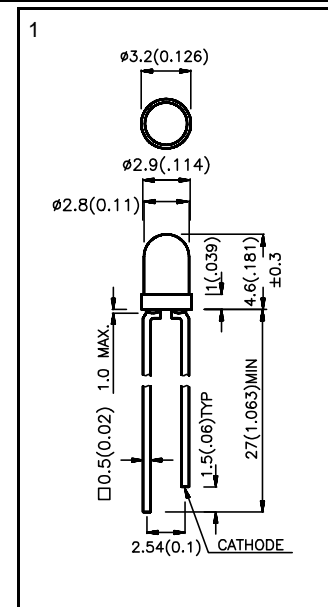
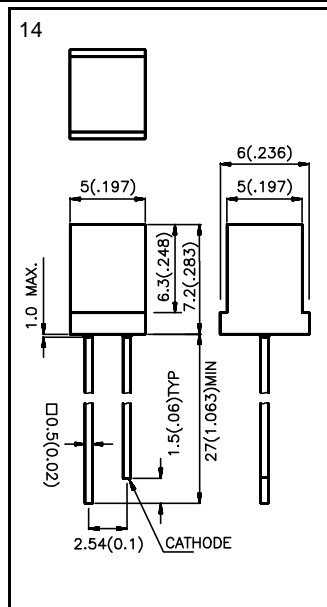
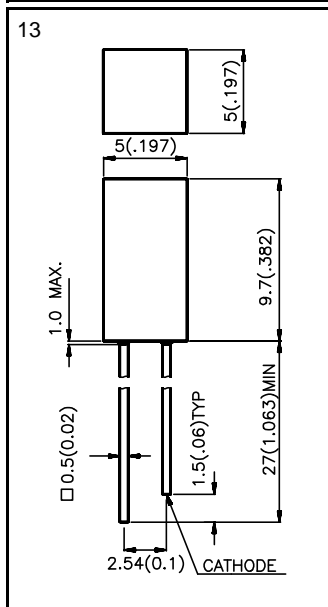


Rectangular and Resistor LEDs

Shape	Part Number	Emitting Color	Emitting Material	Lens-Color	Wave Length (nm)	Luminous Intensity IF=10mA *20mA(mcd)		Viewing Angle	Figure No.
						Min.	Max.		
5x5mm Square	SHR10D	Red	GaP	Red Diffused	700	0.5 - 2		110°	13
	SUR10D	Red	GaAsP/GaP	Red Diffused	625	3.2 - 12.5		110°	
	SMR10D	Red	GaAlAs	Red Diffused	660	*32 - 100		110°	
	SUO10D	Orange	GaAsP/GaP	Orange Diffused	625	3.2 - 12.5		110°	
	SUG10D	Green	GaP	Green Diffused	565	1.3 - 8		110°	
	SUY10D	Yellow	GaAsP/GaP	Yellow Diffused	590	1.3 - 8		110°	

5x5mm Square	SHR23D	Red	GaP	Red Diffused	700	0.5 - 2		110°	14
	SUR23D	Red	GaAsP/GaP	Red Diffused	625	3.2 - 12.5		110°	
	SUG23D	Green	GaP	Green Diffused	565	1.3 - 8		110°	
	SUY23D	Yellow	GaAsP/GaP	Yellow Diffused	590	1.3 - 8		110°	

Shape	Part Number	Emitting Color	Emitting Material	Lens-Color	Wave Length (nm)	Luminous Intensity VF=5V *VF=12V (mcd)		Viewing Angle	Figure No.
						Min.	Max.		
3mm Round	LUR32D-5V	Red	GaAsP/GaP	Red Diffused	625	8 - 50		60°	1
	LUR32D-12V	Red	GaAsP/GaP	Red Diffused	625	*8 - 50		60°	
	LMR32D-5V	Red	GaAlAs	Red Diffused	660	70 - 300		60°	
	LMR32D-12V	Red	GaAlAs	Red Diffused	660	*70 - 300		60°	
	LUG32D-5V	Green	GaP	Green Diffused	565	8 - 32		60°	
	LUG32D-12V	Green	GaP	Green Diffused	565	*8 - 32		60°	
	LMG32D-5V	Green	GaP	Green Diffused	565	12.5 - 32		60°	
	LMG32D-12V	Green	GaP	Green Diffused	565	*12.5 - 32		60°	
	LUY32D-5V	Yellow	GaAsP/GaP	Yellow Diffused	590	8 - 32		60°	
LUY32D-12V	Yellow	GaAsP/GaP	Yellow Diffused	590	*8 - 32		60°		
5mm Round	LUR53D-5V	Red	GaAsP/GaP	Red Diffused	625	12.5 - 80		60°	2
	LUR53D-12V	Red	GaAsP/GaP	Red Diffused	625	*12.5 - 80		60°	
	LMR53D-5V	Red	GaAlAs	Red Diffused	660	100 - 500		60°	
	LMR53D-12V	Red	GaAlAs	Red Diffused	660	*100 - 500		60°	
	LUG53D-5V	Green	GaP	Green Diffused	565	5 - 32		60°	
	LUG53D-12V	Green	GaP	Green Diffused	565	*5 - 32		60°	
	LMG53D-5V	Green	GaP	Green Diffused	565	12.5 - 32		60°	
	LMG53D-12V	Green	GaP	Green Diffused	565	*12.5 - 32		60°	
	LUY53D-5V	Yellow	GaAsP/GaP	Yellow Diffused	590	5 - 32		60°	
LUY53D-12V	Yellow	GaAsP/GaP	Yellow Diffused	590	*5 - 32		60°		



Package Dimensions Units : mm
Tolerance : .25mm(0.01")