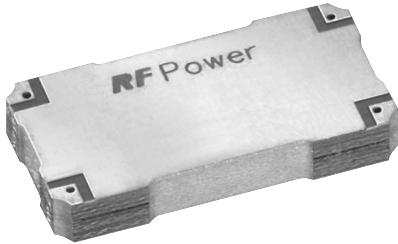


### Description

The S10B1870N2 is a low profile 10 dB directional coupler in an easy to use surface mount package covering the PCS and DCS bands. The S10B1870N2 is ideal for power and frequency detection as well as power injection and can be used in most high power designs. Parts have been run through rigorous qualifications and units are 100% tested. They are manufactured using materials with X and Y thermal expansion coefficients compatible with common substrates.



### Features

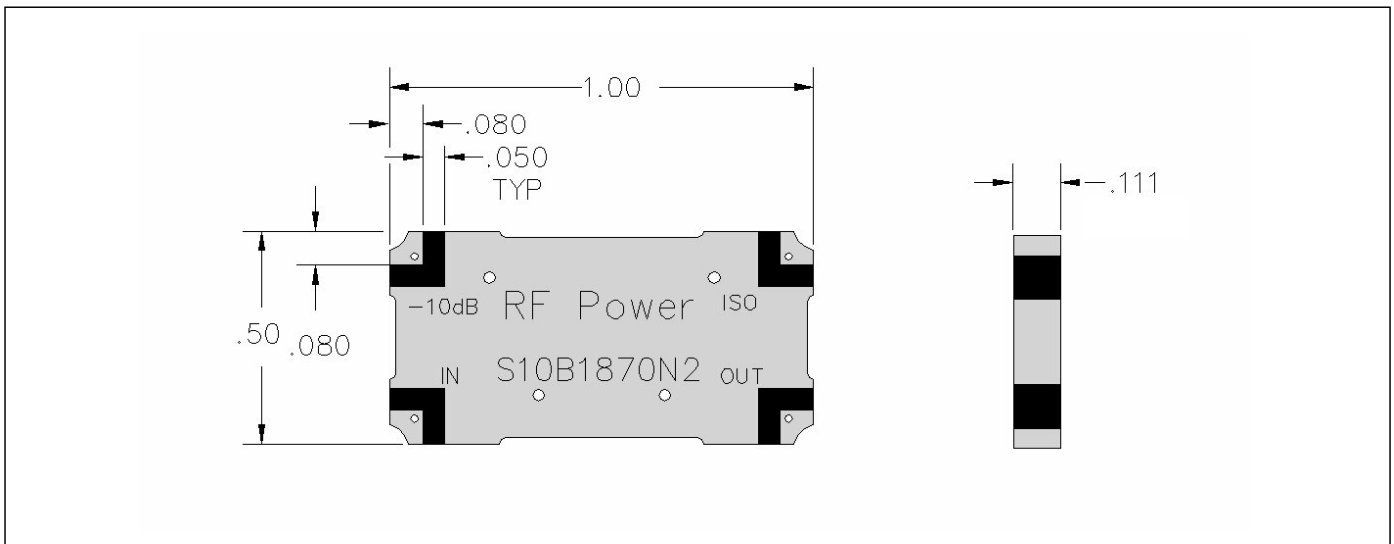
- 1.75 - 1.99 GHz
- 200 Watts
- Low Loss
- High Directivity
- Surface Mountable
- Tape and Reel
- Convenient Package
- 100% Tested

### Electrical Specifications

Frequency GHz	Mean Coupling dB	Insert. Loss dB Max	VSWR Max: 1
1.75 - 1.99	10.0 ± 0.75	0.15	1.20
Freq. Sens. dB Max	Directivity dB Min	Temp. °C	Power Avg. CW Watts
±0.20	20	-55 to +85	200

Specifications subject to change without notice.

### Outline Drawing



VER. 2/7/02



Available on Tape and Reel for Pick and Place Manufacturing.

Sales Desk USA: Voice: (800) 544-2414 Fax: (315) 432-9121  
 Sales Desk Europe: Voice: (+44) 23 92 232392 Fax: (+44) 23 92 251369

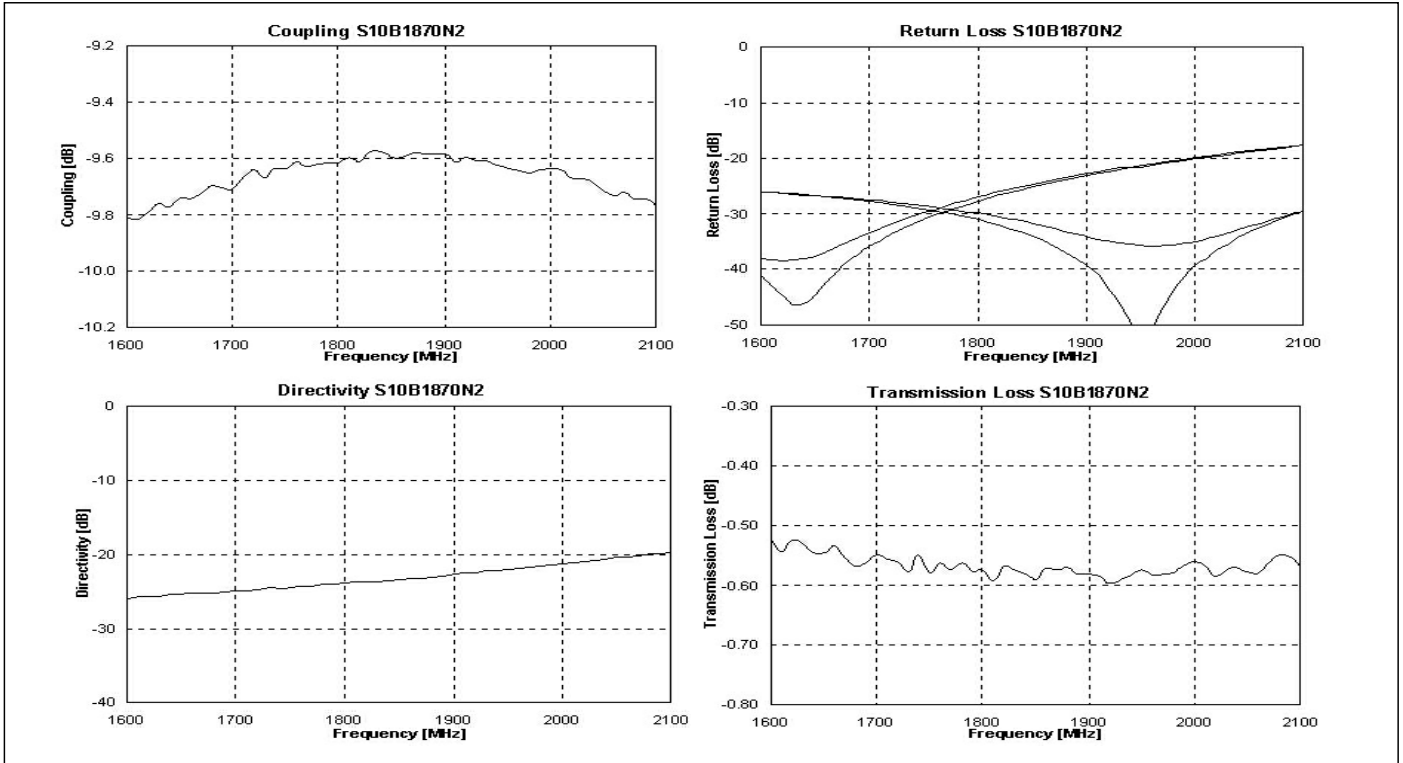
# Model S10B1870N2



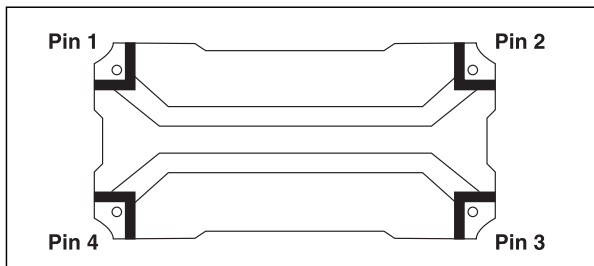
[www.anaren.com](http://www.anaren.com)

**RF Power**

## Typical Performance

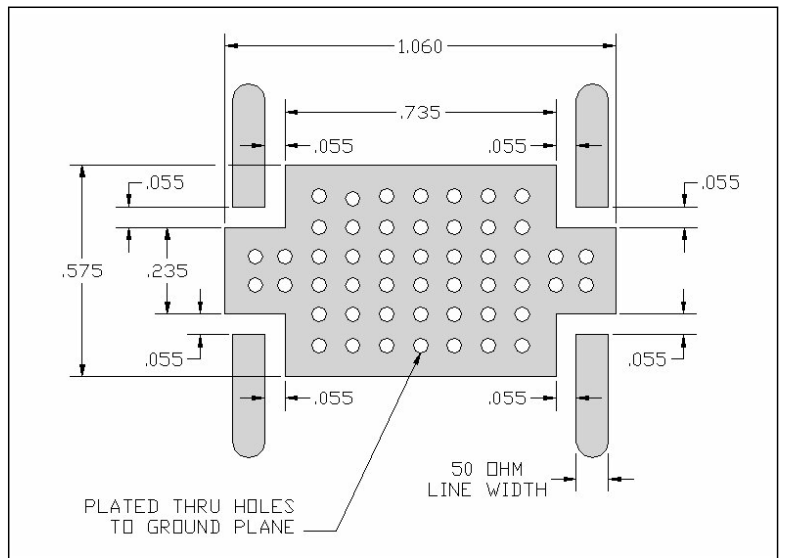


## Pin Configuration



	Pin 1	Pin 2	Pin 3	Pin 4
#1	Input	Output	Isolated	Coupled
#2	Output	Input	Coupled	Isolated
#3	Isolated	Coupled	Input	Output
#4	Coupled	Isolated	Output	Input

## Mounting Footprint



Available on Tape and Reel for Pick and Place Manufacturing.



Sales Desk USA: Voice: (800) 544-2414 Fax: (315) 432-9121  
 Sales Desk Europe: Voice: (+44) 23 92 232392 Fax: (+44) 23 92 251369