



SINGLE COLOR LED

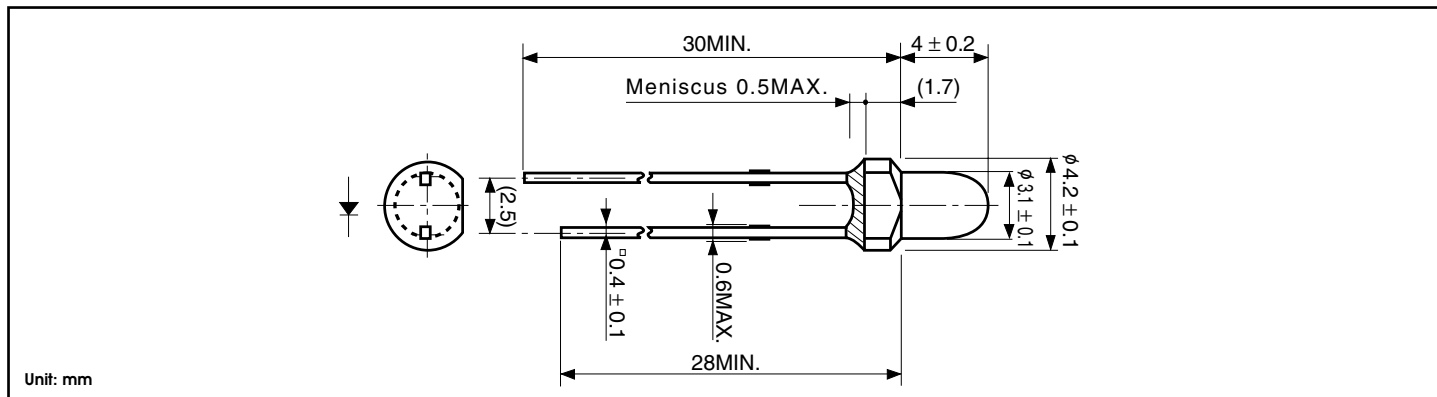
3mm Flush Mount Round Shape



3863X / 3873X Series

STANDARD COLOR

Outline Dimensions



Unit: mm

Absolute Maximum Ratings

(Ta=25°C)

Item	Symbol	Red			Orange	Yellow	Yellow Green	Green	Pure Green	Units
		BR	MPR	MVR	MAA	MAY	MPY	MPG	MBG	
Power Dissipation	Pd	100	75	75	70	85	85	70	70	mW
Forward Current	If	50	30	30	25	30	30	25	25	mA
Peak Forward Current	IfM	300	75	75	60	75	75	60	60	mA
Reverse Voltage	Vr	4	4	4	4	4	4	4	4	V
Operating Temperature	Topr	-30 to +85								°C
Storage Temperature	Tstg	-30 to +100								°C
Derating (DC)*	If	0.67	0.40		0.33	0.40		0.33		mA/°C

* Ta=25°C, IfM applies for the pulse width 1msec. and duty cycle 1/20
The current derating for operation applies when the temperature is above 25°C

Electro-Optical Characteristics

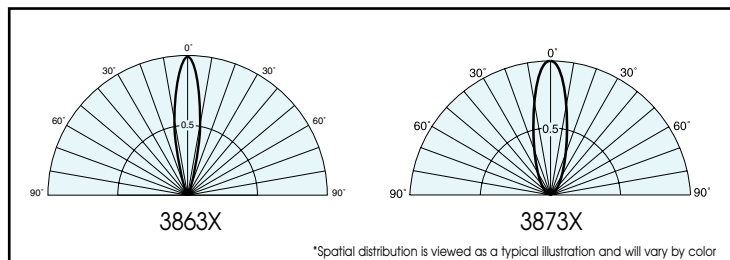
*3863X lens is clear and 3873X lens is diffused

**The viewing angle is an average and will vary by color

(Ta=25°C)

Part No.	Material	Emitted Color	Lens Color	Luminous Intensity Iv			Wavelength Spectral Line Dominant Half Width				Forward Voltage Vf			Reverse Current Ir		Viewing Angle (2 1/2)
				MIN.	TYP.	If	Peak P TYP.	Dominant TYP.	TYP.	If	TYP.	MAX.	If	MAX.	Vr	
				BR3863X/3873X	GaAlAs	Red	Pastel Red	40/15	80/30	20	660	647	30	20	1.7	
MPR3863X/3873X	GaP	3/1.5	6/3	10	700			635	100	10	2.1	2.8	10	20	4	
MVR3863X/3873X	GaAsP	20/10	40/20	20	630			624	30	20	2.0	2.8	20	20	4	
MAA3863X/3873X	GaAsP	Orange	Pastel Orange	20/10	40/20	20	605	606	30	20	2.2	2.8	20	20	4	
MAY3863X/3873X	GaAsP	Yellow	Pastel Yellow	20/10	40/20	20	580	590	30	20	2.2	2.8	20	20	4	
MPY3863X/3873X	GaP	Yellow Green		30/15	60/30	20	570	572	30	20	2.1	2.8	20	20	4	
MPG3863X/3873X	GaP	Green	Pastel Green	20/10	40/20	20	560	567	30	20	2.1	2.8	20	20	4	
MBG3863X/3873X	GaP	Pure Green	10/5	20/10	20	555	558	30	20	2.1	2.8	20	20	4		
Units				mcd	mA		nm		mA	V	mA	µA	V	Deg.		

Spatial Distribution (x)



Operation Current Derating Chart

