

VCXO
Voltage Controlled
Crystal Oscillator

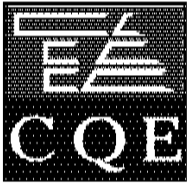
OSCILLATOR DATA SHEET

NUMBER
DVC 2820

REVISION
W3

DATE
17 mai 2000

	Unit	Min	Nominal	Max	Note	
NOMINAL FREQUENCY	MHz		155,52		At Vc: 1.65 V @ 25°C : ±20ppm	
TEMPERATURE RANGE						
<i>Operating G1</i>	°C	-40		85		
<i>Functional G2</i>	°C					
<i>Storage G3</i>	°C	-40		85		
POWER SUPPLY	V		3,3		Vcc±5%	
CONSUMPTION	mA			50		
<i>Start up</i>	mA					
FREQUENCY ADJUSTMENT						
<i>External potentiometer value</i>	KOhm					
<i>External resistor</i>	KOhm					
<i>External control voltage</i>	V					
<i>Input impedance</i>	KOhm					
<i>Frequency range</i>	±ppm					
<i>Reference voltage</i>	V					
<i>Zout or Iout</i>	mA					
VOLTAGE CONTROL						
<i>Frequency pulling range</i>	±ppm	85		120		
<i>Frequency control voltage</i>	V	0,3		3	Slope: positive	
<i>Input impedance</i>	KOhm					
<i>Bandwidth</i>	KHz	10				
<i>Linearity</i>	%			20	Least squares straight	
OUTPUT SIGNAL WAVEFORM						
<i>Level</i>	V	0,4		2,4	Square LVCMOS compatible	
<i>Harmonics / Duty cycle</i>	%	40		60		
<i>Sub harmonics / Rise time</i>	ns			6		
<i>Non harmonics / Fall time</i>	ns			6		
<i>Load</i>	pF		15		±10%	
FREQUENCY STABILITY						
<i>Vs temperature range G1</i>	±ppm			25	inclusive load+ supply voltage changes	
G2	±ppm					
<i>Vs power supply</i>	±ppm					
<i>Vs load</i>	±ppm					
AGEING						
<i>Medium/long term stability</i>	✗	1 day	1 year	10 year	After continuous operating for:	
	±ppm		5	15		
<i>Short term stability</i>	✗	1 ms	10 ms	100 ms	Allan variance	
	±ppm			1 s		
PHASE NOISE						
<i>Static conditions</i>	✗	10 Hz	100 Hz	1 KHz	10 KHz	100 KHz
<i>Dynamic conditions</i>	dBc/Hz					
	dBc/Hz					
MECHANICAL CONDITIONS						
<i>Shocks</i>						
<i>Vibrations</i>						



VCXO
Voltage Controlled
Crystal Oscillator

OSCILLATOR DATA SHEET

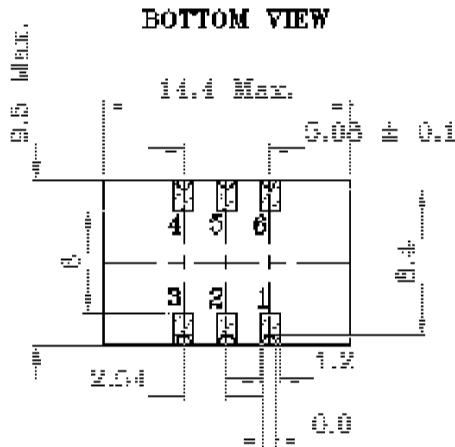
NUMBER
DVC 2820

REVISION
W3

DATE
17 mai 2000

PACKAGE / PIN OUT

PINOUT: pin 1 : Voltage Control
pin 2 : Tristate control
pin 3 : Gnd
pin 4 : HF output
pin 5 : NC
pin 6 : Power supply



HEIGHT: 7,6
CASE: 66
TYPE: SMD

LABEL: CQE YY/WW
FREQUENCY IN MHZ
DVC2820

COMMENTS

rev W1 : LVMOS output levels

Customer's reference:

CQE VISA

NAME:
DATE: