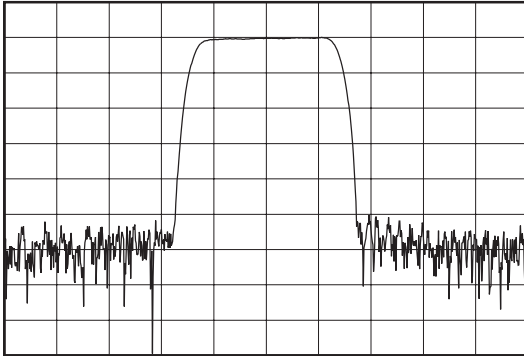
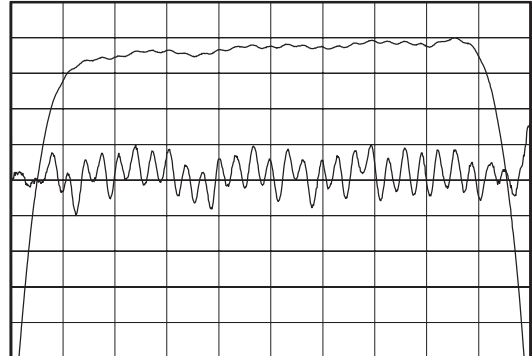


Data Sheet

Typical Performance



Horizontal: 2 MHz/Div
Vertical: 10 dB/Div

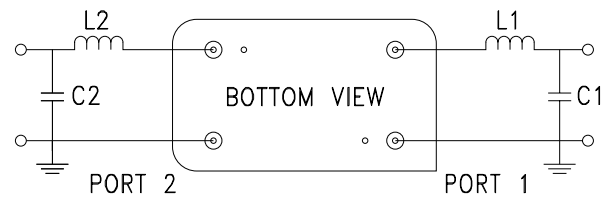
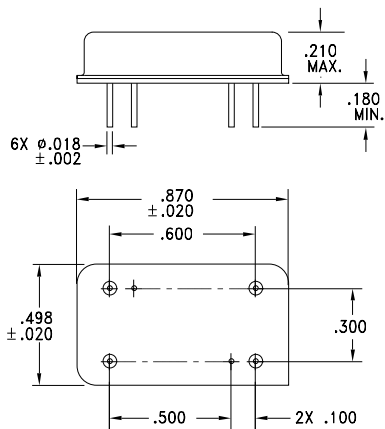


Horizontal: 600 kHz/Div
Vertical: 1 dB/Div
Vertical: 30 nsec/Div

Specifications

Parameter	Unit	Minimum	Typical	Maximum
Center Frequency	MHz	139.8	140	140.2
Insertion Loss at F_o	dB	-	22.5	25
1 dB Bandwidth	MHz	4.7	4.88	-
3 dB Bandwidth	MHz	5	5.3	-
40 dB Bandwidth	MHz	-	6.77	7
Passband Variation	dB	-	0.43	0.7
Phase Linearity	deg	-	2	4
Group Delay Variation	nsec	-	70	180
Absolute Delay	μ sec	-	2.59	-
Ultimate Rejection	dB	50	60	-
Substrate Material	-	-	Quartz	-
Ambient Temperature	$^{\circ}$ C	-	25	-

Package Outline Matching Configuration



L1 = 133nH, L2 = 95nH
C1 = 52pF, C2 = 80pF
Nominal Source/Load Impedance = 50 Ω
Package Style I

11/24/99