

LED DATA SHEET

Part No.	WR106UG/W		
Emitted Color	Ultra Super Green	Len's Color	Water Clear
Chip Materia	InGaN/GaN		

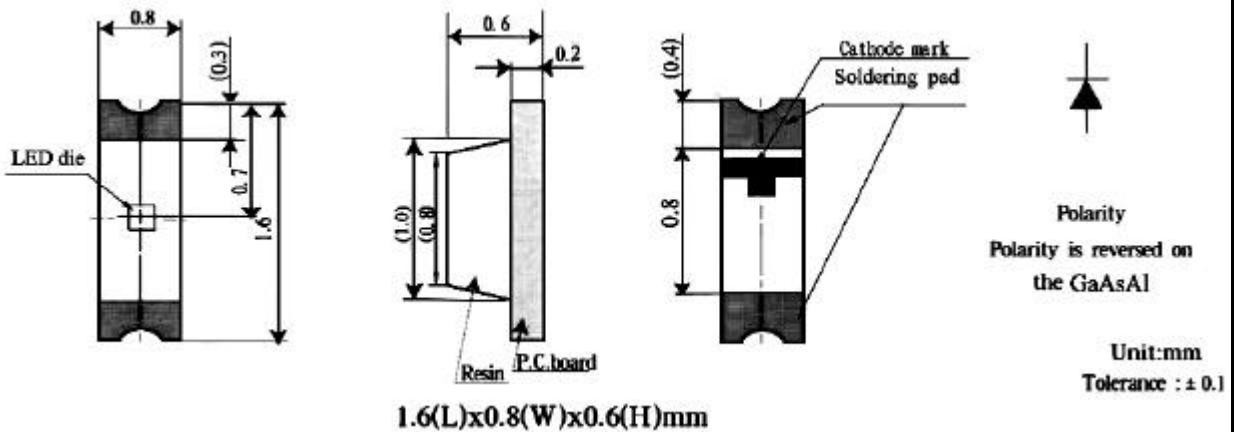
Features:

Compatible with automatic placement equipment
Compatible with reflow solder process
Low power consumption and wide viewing angle

Applications:

Automotive and Telecommunication
Flat backlight for LCD ,switch and symbol in telephone and fax
General use for indicators

Package Dimensions:



Note:

- All dimensions are in millimetres (mm)
- Tolerance is ± 0.1 mm unless otherwise noted

Absolute Maximum Rating (Ta=25)

Parameter	Symbol	Max.	Unit
Power Dissipation	P_M	70	Mw
Pulse Forward Current (1/10 duty and 0.1msec width)	I_{FP}	50	mA
Continuous Forward Current	I_F	20	mA
Reverse Voltage	V_R	5	V
Operating Temperature Range	Topr	-40 ~ 85	
Storage Temperature Range	Tstg	-40 ~ 100	
Reflow Soldering : 250 , 5sec , max ----- Pay attention to electrostatic (ESD)			

Electrical Optical Characteristics (Ta=25)

Parameter	Symbol	Min.	Typ.	Max.	Unit	Test Condition
Luminous Intensity	I_V	--	150	--	mcd	$I_F=20mA$
Forward Voltage	VF	--	3.3	4.0	V	$I_F=20mA$
Reverse Current	IR	--		10	uA	$V_R=5V$
Dominant Wavelength	d	--	522	--	nm	$I_F=20mA$
Peak Emission Wavelength	p	--	516	--	nm	$I_F=20mA$
Spectral Line Half Width		--	30	--	nm	$I_F=20mA$
Viewing Angle	2 1/2	--	125	--	Deg.	$I_F=20mA$

BIN Code	N	P	Q	R	S
Luminous Intensity @ $I_F=10mA$	130~160	160~200	200~250	250~320	320~400

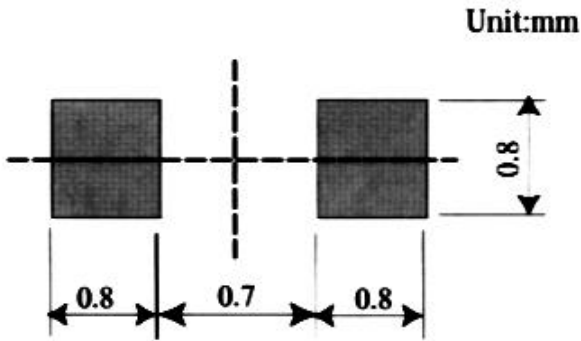
Classing Marking:

For example

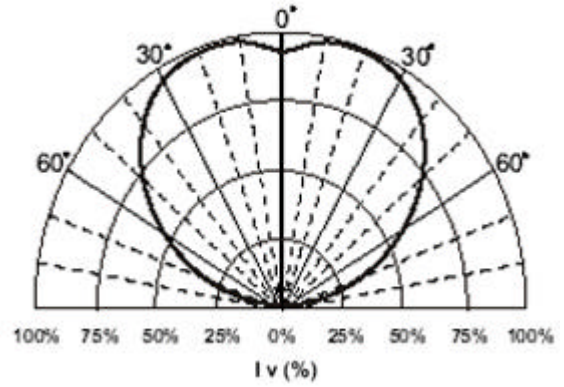
HKOON

Code Order : Voltage—Dominant Wavelength—OO—Luminous Intensity

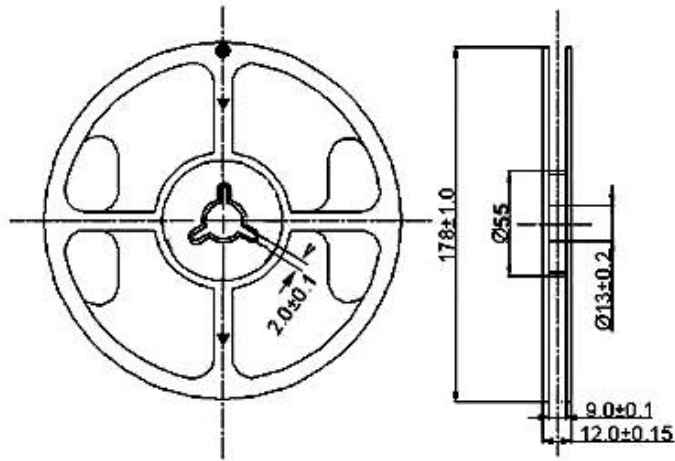
Soldering Pad Dimensions:



Viewing Pattern



Package Tape Specifications: 4000 pcs/reel



Unit:mm

