



SAW Components

Data Sheet R 688





SAW Components

R 688

Resonator

239,75 MHz

Data Sheet

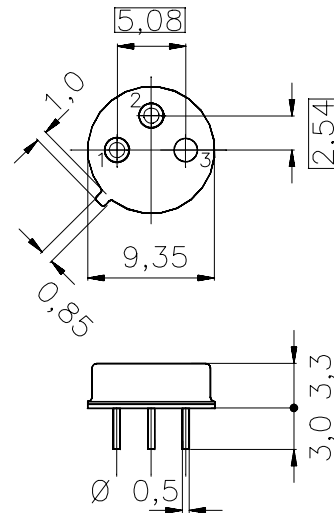
Features

- 1-port resonator
- Provides reliable, fundamental mode, quartz frequency stabilization i. e. in transmitter or local oscillators

Terminals

- NiFeCo, gold plated

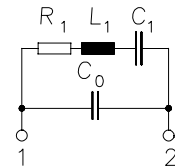
Metal package TO 39



Dimensions in mm, approx. weight 1,0 g

Pin configuration

- | | |
|---|---------------|
| 1 | Input |
| 2 | Ground |
| 3 | Ground (case) |



Type	Ordering code	Marking and Package according to	Packing according to
R 688	B39241-R 688-B110	C61157-A7-A24	F61074-V8072-Z000

Electrostatic Sensitive Device (ESD)

Maximum ratings

Operable temperature range	T_A	-45/+85	°C	between any terminals
Storage temperature range	T_{stg}	-45/+85	°C	
DC voltage	V_{DC}	12	V	
Source power	P_s	0	dBm	



SAW Components

R 688

Resonator

239,75 MHz

Data Sheet

Characteristics

Reference temperature: $T_A = 25\text{ °C}$
 Terminating source impedance: $Z_S = 50\ \Omega$
 Terminating load impedance: $Z_L = 50\ \Omega$

		min.	typ.	max.	
Center frequency ¹⁾	f_c	239,65	239,75	239,85	MHz
Minimum insertion attenuation	α_{\min}	—	0,7	1,4	dB
Unloaded quality factor	Q_U	8300	17500	—	
Ageing of f_c		—	—	± 50	ppm
Equivalent circuit elements					
Motional capacitance	C_1	—	4,217	—	fF
Motional inductance	L_1	—	104,5	—	μH
Motional resistance	R_1	—	9	19	Ω
Parallel capacitance	C_0	—	5,1	—	pF
Temperature coefficient of frequency ²⁾	TC_f	—	- 0,03	—	ppm/K ²
Turnover temperature	T_0	15	—	45	°C

¹⁾ Center frequency is defined as maximum of the real part of the admittance

²⁾ Temperature dependence of f_c : $f_c(T_A) = f_c(T_0)(1 + TC_f(T_A - T_0)^2)$



SAW Components

R 688

Resonator

239,75 MHz

Data Sheet

Published by EPCOS AG
Surface Acoustic Wave Components Division, OFW E UE
P.O. Box 80 17 09, D-81617 München

© EPCOS AG 1999. All Rights Reserved.

As far as patents or other rights of third parties are concerned, liability is only assumed for components per se, not for applications, processes and circuits implemented within components or assemblies.

The information describes the type of component and shall not be considered as assured characteristics.

Terms of delivery and rights to change design reserved.

For questions on technology, prices and delivery please contact the sales offices of EPCOS AG or the international representatives.

Due to technical requirements components may contain dangerous substances. For information on the type in question please also contact one of our sales offices.