

ZTA Series

Ceramic Resonator

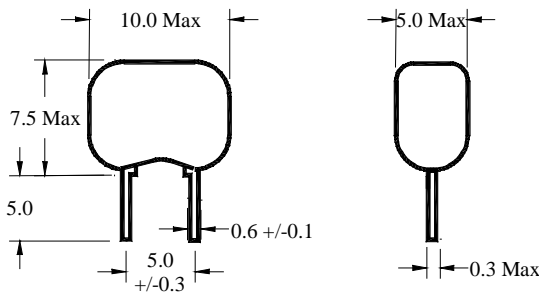
STANDARD SPECIFICATIONS

| Part Number | Frequency Range MHz. | Frequency Accuracy @ 25°C | Temperature Stability °C | Aging For 10 Years | Operating Temperature °C | C1 | C2 |
|-------------|----------------------|---------------------------|--------------------------|--------------------|--------------------------|-------|-------|
| ZTA-MG | 1.80 ~5.00 | ± 0.5% | ± 0.3% | ± 0.3% | -20 ~ +80 | 30 pF | 30 pF |
| ZTA-MT | 5.01 ~13.00 | ± 0.5% | ± 0.3% | ± 0.3% | -20 ~ +80 | 15pF | 15 pF |
| ZTAS-MX | 13.01 ~50.00 | ± 0.5% | ± 0.3% | ± 0.3% | -20 ~ +80 | 5 pF | 5 pF |

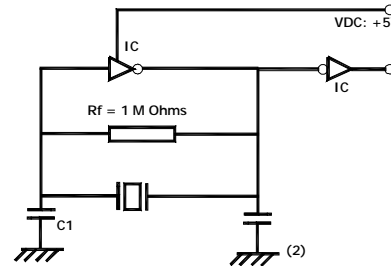
Part Number Guide

Sample Part #: **ZTAS -MG - 2.00 -T**
ZTAS – Package – Frequency – Packaging
Packaging: - = Bulk , -T = Tape and Reel

MG

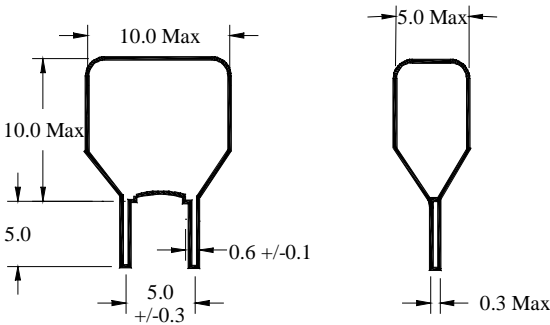


DIMENSION UNITS: mm



MG / MT IC: 1/6 CD4069UBEX2
 MX IC: 1/6 TC74HCU04NX2

MT/MX



ILSI America
 5458 Louie Lane Reno, NV 89511 Phone: 775-851-8880 • Fax: 775-851-8882
 • email: e-mail@ilsiamerica.com • www.ilsiamerica.com
 Specifications subject to change without notice