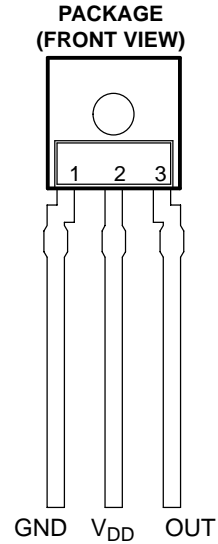


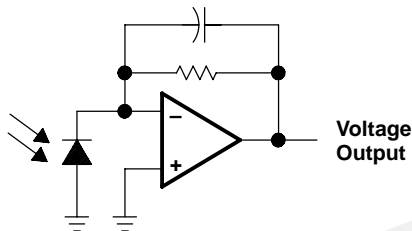
- Monolithic Silicon IC Containing Photodiode, Operational Amplifier, and Feedback Components
- Converts Light Intensity to a Voltage
- High Irradiance Responsivity, Typically 80 mV/($\mu\text{W}/\text{cm}^2$) at $\lambda_p = 880 \text{ nm}$ (TSL250)
- Compact 3–leaded Clear Plastic Package
- Single Voltage Supply Operation
- Low Dark (Offset) Voltage....10mV
- Low Supply Current.....800 μA Typical
- Wide Supply-Voltage Range.... 3 V to 9 V



Description

The TSL250, TSL251, and TSL252 are light-to-voltage optical sensors, each combining a photodiode and a transimpedance amplifier (feedback resistor = 16 M Ω , 8 M Ω , and 2 M Ω respectively) on a single monolithic IC. Output voltage is directly proportional to the light intensity (irradiance) on the photodiode. These devices use a silicon-gate CMOS technology that provides improved amplifier offset-voltage stability and low power consumption.

Functional Block Diagram



Terminal Functions

TERMINAL NAME	NO.	DESCRIPTION
GND	1	Ground (substrate). All voltages are referenced to GND.
OUT	3	Output voltage
V _{DD}	2	Supply voltage

TSL250, TSL251, TSL252 LIGHT-TO-VOLTAGE OPTICAL SENSORS

TAOS020 – JANUARY 2000

Absolute Maximum Ratings over operating free-air temperature range (unless otherwise noted)†

Supply voltage, V_{DD} (see Note 1)	10 V
Output current, I_O	± 10 mA
Duration of short-circuit current at (or below) 25°C (see Note 2)	5 s
Operating free-air temperature range, T_A	-25°C to 85°C
Storage temperature range, T_{stg}	-25°C to 85°C
Lead temperature 1,6 mm (1/16 inch) from case for 10 seconds	240°C

† Stresses beyond those listed under “absolute maximum ratings” may cause permanent damage to the device. These are stress ratings only, and functional operation of the device at these or any other conditions beyond those indicated under “recommended operating conditions” is not implied. Exposure to absolute-maximum-rated conditions for extended periods may affect device reliability.

- NOTES: 1. All voltages are with respect to GND.
2. Output may be shorted to supply.

Recommended Operating Conditions

	MIN	NOM	MAX	UNIT
Supply voltage, V_{DD}	3	5	9	V
Operating free-air temperature, T_A	0		70	°C

Electrical Characteristics at $V_{DD} = 5$ V, $T_A = 25^\circ\text{C}$, $\lambda_p = 880$ nm, $R_L = 10$ k Ω (unless otherwise noted) (see Note 3)

PARAMETER	TEST CONDITIONS	TSL250			TSL251			TSL252			UNIT
		MIN	TYP	MAX	MIN	TYP	MAX	MIN	TYP	MAX	
V_D Dark voltage	$E_e = 0$		3	10		3	10		3	10	mV
V_{OM} Maximum output voltage swing	$E_e = 2$ mW/cm ²	3.1	3.5		3.1	3.5		3.1	3.5		V
V_O Output voltage	$E_e = 25$ $\mu\text{W}/\text{cm}^2$	1	2	3							V
	$E_e = 45$ $\mu\text{W}/\text{cm}^2$				1	2	3				
	$E_e = 285$ $\mu\text{W}/\text{cm}^2$							1	2	3	
α_{vo} Temperature coefficient of output voltage (V_O)	$E_e = 25$ $\mu\text{W}/\text{cm}^2$, $T_A = 0^\circ\text{C}$ to 70°C		± 1								mV/°C
	$E_e = 45$ $\mu\text{W}/\text{cm}^2$, $T_A = 0^\circ\text{C}$ to 70°C					± 1					
	$E_e = 285$ $\mu\text{W}/\text{cm}^2$, $T_A = 0^\circ\text{C}$ to 70°C								± 1		
N_e Irradiance responsivity	See Note 4		80			45			7		mV/($\mu\text{W}/\text{cm}^2$)
I_{DD} Supply current	$E_e = 25$ $\mu\text{W}/\text{cm}^2$		900	1600							μA
	$E_e = 45$ $\mu\text{W}/\text{cm}^2$					900	1600				
	$E_e = 285$ $\mu\text{W}/\text{cm}^2$								900	1600	

NOTES: 3. The input irradiance E_e is supplied by a GaAlAs infrared-emitting diode with $\lambda_p = 880$ nm.

4. Irradiance responsivity is characterized over the range $V_O = 0.05$ to 3 V.

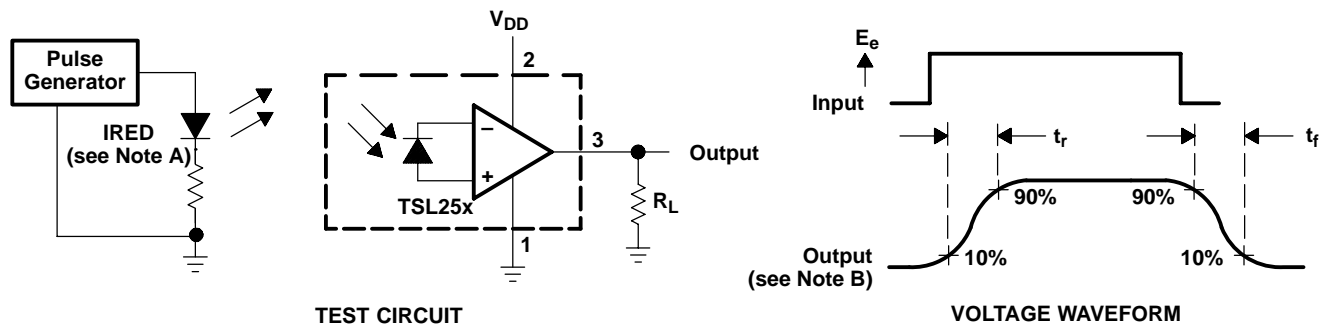
Operating Characteristics at $T_A = 25^\circ\text{C}$ (see Figure 1)

PARAMETER	TEST CONDITIONS	TSL250			TSL251			TSL252			UNIT
		MIN	TYP	MAX	MIN	TYP	MAX	MIN	TYP	MAX	
t_r Output pulse rise time	$V_{DD} = 5$ V, $\lambda_p = 880$ nm		360			90			7		μs
t_f Output pulse fall time	$V_{DD} = 5$ V, $\lambda_p = 880$ nm		360			90			7		μs
V_n Output noise voltage	$V_{DD} = 5$ V, $f = 20$ Hz		0.6			0.5			0.4		$\mu\text{V}/\sqrt{\text{Hz}}$

www.taosinc.com



PARAMETER MEASUREMENT INFORMATION



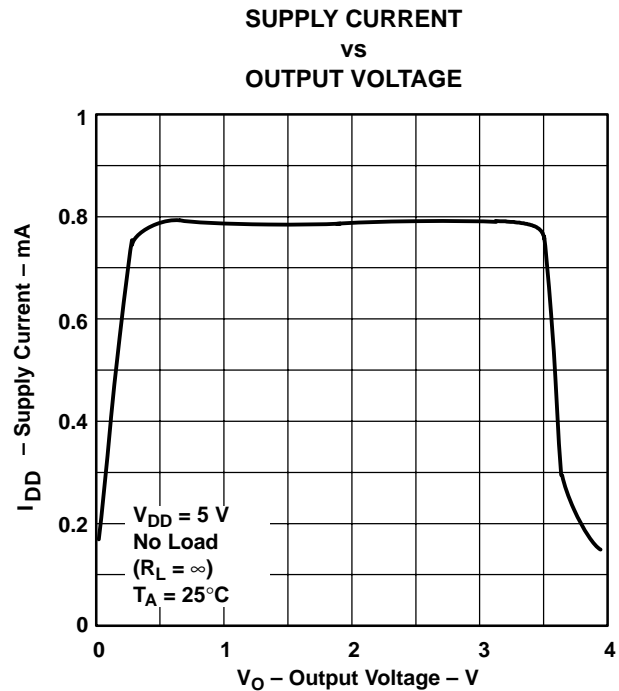
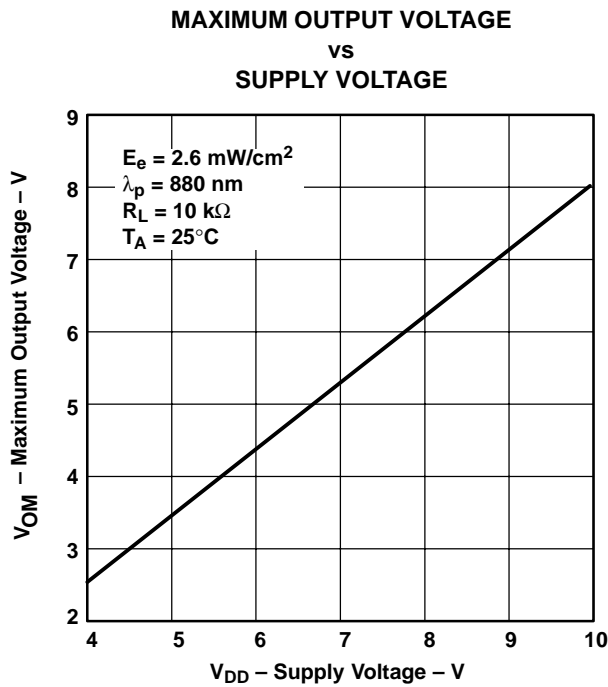
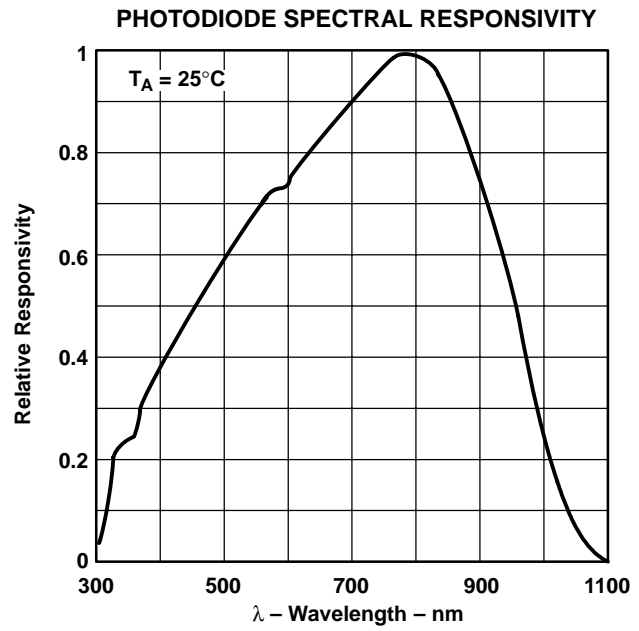
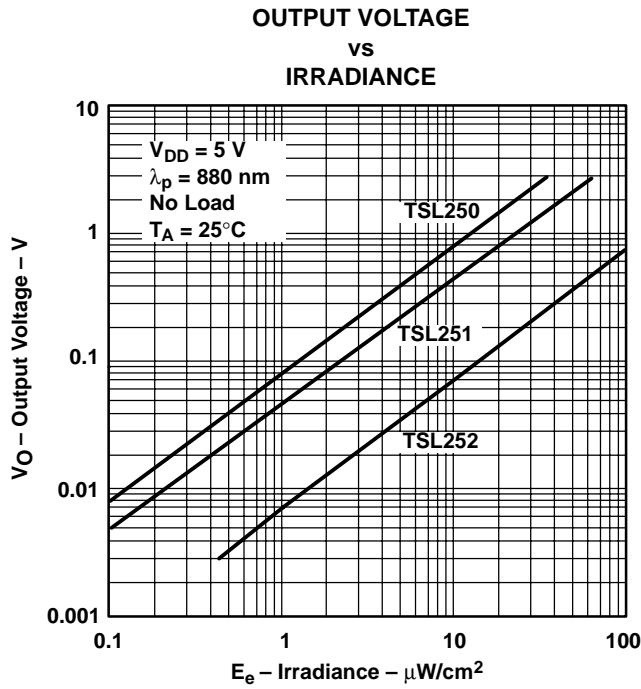
- NOTES: A. The input irradiance is supplied by a pulsed GaAlAs infrared-emitting diode with the following characteristics: $\lambda_p = 880 \text{ nm}$, $t_r < 1 \mu\text{s}$, $t_f < 1 \mu\text{s}$.
- B. The output waveform is monitored on an oscilloscope with the following characteristics: $t_r < 100 \text{ ns}$, $Z_i \geq 1 \text{ MHz}$, $C_i \leq 20 \text{ pF}$.

Figure 1. Switching Times

TSL250, TSL251, TSL252 LIGHT-TO-VOLTAGE OPTICAL SENSORS

TAOS020 – JANUARY 2000

TYPICAL CHARACTERISTICS



www.taosinc.com



TYPICAL CHARACTERISTICS

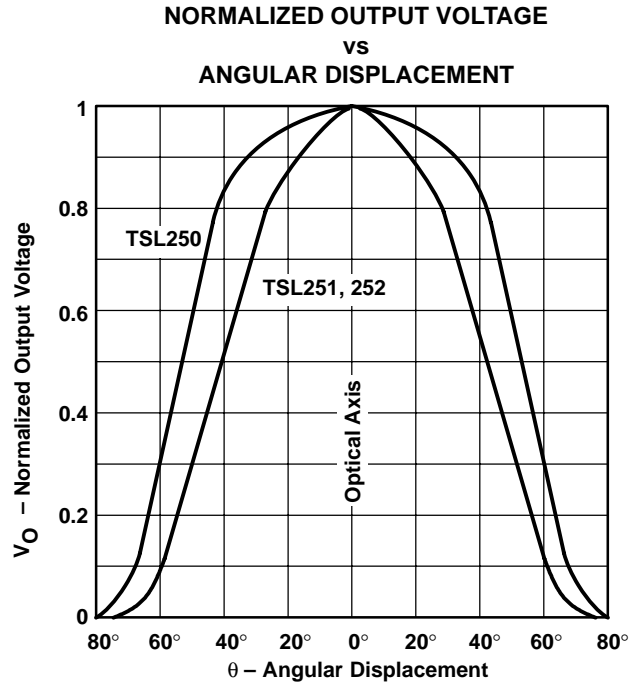


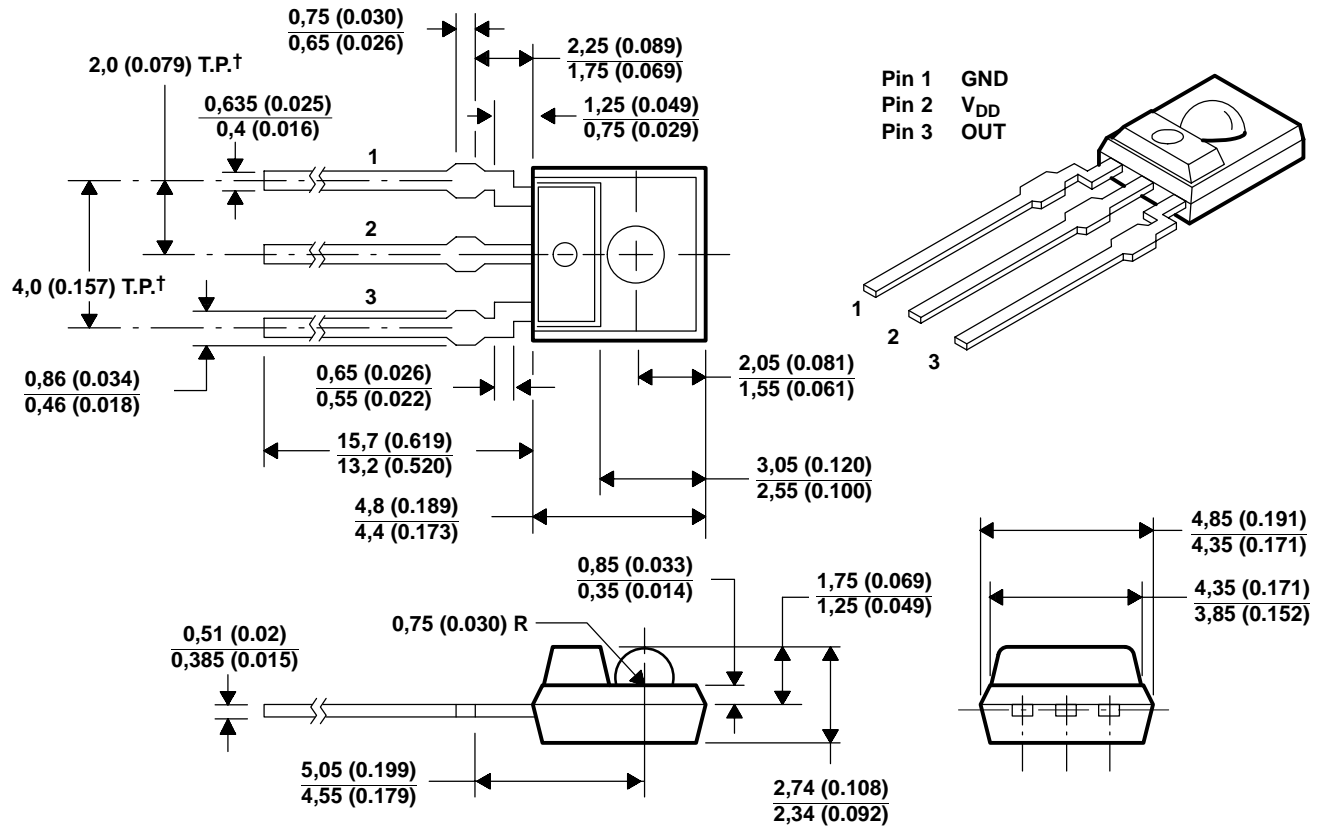
Figure 6

TSL250, TSL251, TSL252 LIGHT-TO-VOLTAGE OPTICAL SENSORS

TAOS020 – JANUARY 2000

MECHANICAL INFORMATION

The photodiode/amplifier chip is packaged in a clear plastic three-leaded package. The integrated photodiode active area is typically 1,0 mm² (0.0016 in²) for TSL250, 0,5 mm² (0.00078 in²) for the TSL251, and 0,26 mm² (0.0004 in²) for the TSL252.



† True position when unit is installed.

NOTES: A. All linear dimensions are in millimeters (inches).
B. This drawing is subject to change without notice.

Figure 7. Mechanical Data

PRODUCTION DATA — information in this document is current at publication date. Products conform to specifications in accordance with the terms of Texas Advanced Optoelectronic Solutions, Inc. standard warranty. Production processing does not necessarily include testing of all parameters.

NOTICE

Texas Advanced Optoelectronic Solutions, Inc. (TAOS) reserves the right to make changes to the products contained in this document to improve performance or for any other purpose, or to discontinue them without notice. Customers are advised to contact TAOS to obtain the latest product information before placing orders or designing TAOS products into systems.

TAOS assumes no responsibility for the use of any products or circuits described in this document or customer product design, conveys no license, either expressed or implied, under any patent or other right, and makes no representation that the circuits are free of patent infringement. TAOS further makes no claim as to the suitability of its products for any particular purpose, nor does TAOS assume any liability arising out of the use of any product or circuit, and specifically disclaims any and all liability, including without limitation consequential or incidental damages.

TEXAS ADVANCED OPTOELECTRONIC SOLUTIONS, INC. PRODUCTS ARE NOT DESIGNED OR INTENDED FOR USE IN CRITICAL APPLICATIONS IN WHICH THE FAILURE OR MALFUNCTION OF THE TAOS PRODUCT MAY RESULT IN PERSONAL INJURY OR DEATH. USE OF TAOS PRODUCTS IN LIFE SUPPORT SYSTEMS IS EXPRESSLY UNAUTHORIZED AND ANY SUCH USE BY A CUSTOMER IS COMPLETELY AT THE CUSTOMER'S RISK.

