

DESCRIPTION

The LX5241/42/43 is a multimode SCSI terminator that is compatible with the SCSI SPI02 (Ultra2 SCSI), SCSI SPI-3 (Ultra3 SCSI or Ultra160 SCSI), and pending SCSI SPI-4 (Ultra320) specifications developed by the T10 standards committee for low voltage differential (LVD) termination, while providing backwards compatibility to the SCSI, SCSI-2, and SPI single-ended specifications. Multimode compatibility permits the use of legacy devices on the bus without hardware alterations. Automatic mode selection is achieved through voltage detection on the DiffSense line.

The LX5241/42/43 utilizes Linfinty's UltraMAX technology which delivers the ultimate in SCSI bus performance while saving component cost and board area. Elimination of the external capacitors also mitigates the need for a lengthy capacitor selection process. The individual high bandwidth drivers also maximize channel separation and reduce channel noise and cross talk. The high bandwidth architecture insures ULTRA2 performance while providing a clear migration path to ULTRA3 and beyond.

When the LX5241/42/43 is enabled, the differential sense (DIFFSENSE) pin supplies a

voltage between 1.2V and 1.4V. In application this pin is tied to the DIFFSENSE input of the corresponding LVD transceivers. This action enables the LVD transceiver function. DIFFSENSE is capable of supplying a maximum of 15mA. Tying the DIFFSENSE pin high places the LX5241/42/43 in a HI Z state indicating the presence of an HVD device. Tying the pin low places the part in a single-ended mode while also signaling the multimode transceiver to operate in a single-ended mode.

Recognizing the needs of portable and configurable peripherals, the LX5241/42/43 have a TTL compatible sleep/disable mode. During this sleep/disable mode, power dissipation is reduced to a meager 15uA while also placing all outputs in a HI Z state. Also during sleep/disable mode, the DIFFSENSE function is disabled and is placed in a HI Z state.

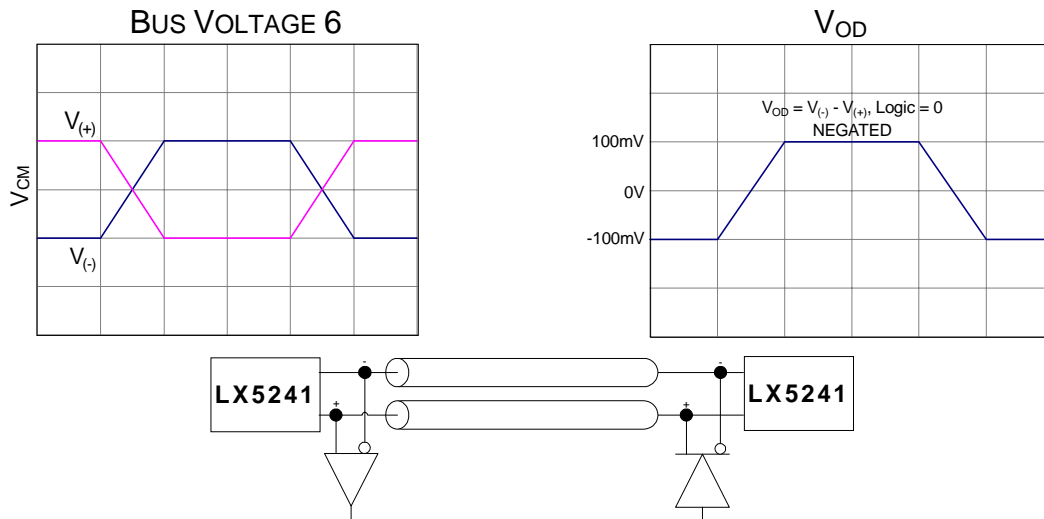
Another key feature of the LX5241/42/43 is the master / slave function. Driving this pin high or floating the pin enables the 1.3V DIFFSENSE reference. Driving the pin low disables the on board DIFFSENSE reference and enables use of an external master reference device.

KEY FEATURES

- Auto-Selectable LVD or Single-Ended Termination
- 3.0pF Maximum Disabled Output Capacitance
- Fast Response, No External Capacitors Required
- Compatible with Active Negation Drivers
- 15µA Supply Current in Disconnect Mode
- Logic Command Disconnects All Termination Lines
- DiffSense Line Driver
- Ground Driver Integrated for Single-Ended Operation
- Current Limit and Thermal Protection
- Hot-Swap Compatible (Single-Ended)
- Ultra160 compliant
- See LX5245/5246 for LVD Termination Only
- Pin Compatible With DS2119 and UCC5630

IMPORTANT: For the most current data, consult MICROSEMI's website: <http://www.microsemi.com>

PRODUCT HIGHLIGHT



PACKAGE ORDER INFO

T _A (°C)	DB	Plastic TSSOP	PW	Plastic TSSOP	PW	Plastic TSSOP
		36-Pin		24-Pin		28-Pin
0 to 70		LX5241CDB		LX5241CPW		LX5243CPW
		LX5242CDB		LX5242CPW		-

Note: Available in Tape & Reel.
Append the letter "T" to the part number. (i.e. LX5241CDBT)

MULTIMODE SCSI TERMINATOR PRODUCTION DATA SHEET

ABSOLUTE MAXIMUM RATINGS (Note 1)

TermPwr Voltage	+7V
Operating Junction Temperature	
Plastic (DB, PW Packages)	150°C
Storage Temperature Range	-65°C to 150°C
Lead Temperature (Soldering, 10 seconds)	300°C

Note 1. Exceeding these ratings could cause damage to the device. All voltages are with respect to Ground. Currents are positive into, negative out of the specified terminal.

THERMAL DATA

DB PACKAGE:

THERMAL RESISTANCE-JUNCTION TO AMBIENT, θ_{JA} **50°C/W**

PW PACKAGE:

THERMAL RESISTANCE-JUNCTION TO AMBIENT, θ_{JA} **100°C/W**

Junction Temperature Calculation: $T_j = T_A + (P_D \times \theta_{JA})$.

The θ_{JA} numbers are guidelines for the thermal performance of the device/pc-board system. All of the above assume no ambient airflow.

MASTER / SLAVE FUNCTION TABLE

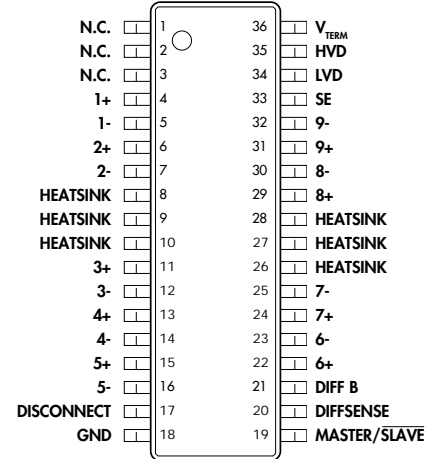
MASTER / SLAVE	DIFFSENSE Status	
L*	HI Z	0mA
H	1.3V	15mA Source
Open (Pull-up)	1.3V	15mA Source

* When in Low state, terminator will detect state of DIFFSENSE line.

DIFFSENSE / POWER UP / POWER DOWN FUNCTION TABLE

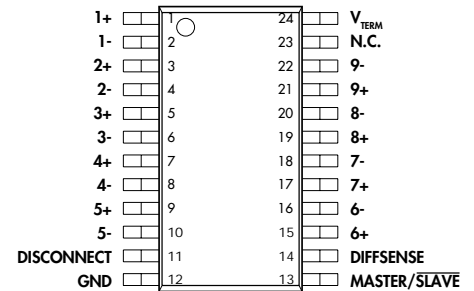
LX5241/5243 DISCONNECT	LX5242 DISCONNECT	DIFF SENSE	Outputs		Quiescent Current
			Status	Type	
L	H	L < 0.5V	Enable	S.E.	7mA
L	H	0.7 - 1.9V	Enable	LVD	21mA
L	H	H > 2.4V	Disable	HI Z	1mA
H Open	L Open	X	Disable	HI Z	10µA

PACKAGE PIN OUTS



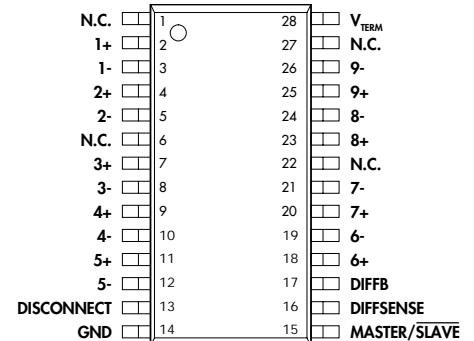
DB PACKAGE (Top View)

LX5241/5242 ("N.C." = No Internal Connection)



PW PACKAGE (Top View)

LX5241/5242 ("N.C." = No Internal Connection)



PW PACKAGE (Top View)

LX5243 ("N.C." = No Internal Connection)

MULTIMODE SCSI TERMINATOR

PRODUCTION DATA SHEET

RECOMMENDED OPERATING CONDITIONS (Note 2)

Parameter	Symbol	Recommended Operating Conditions			Units
		Min.	Typ.	Max.	
TempPwr Voltage	LVD	3.0		5.25	V
	SE	3.5		5.25	V
Signal Line Voltage		0		5.0	V
Disconnect Input Voltage		0		V_{TERM}	V
Operating Virtual Junction Temperature Range					
LX5241C / 5242C / 5243C		0		70	°C

Note 2. Range over which the device is functional.

ELECTRICAL CHARACTERISTICS

(Unless otherwise specified, these specifications apply over the operating ambient temperature range of $0^{\circ}\text{C} \leq T_A \leq 70^{\circ}\text{C}$, TermPwr = 4.75V. For the LX5241/5243 DISCONNECT = L, for the LX5242 DISCONNECT = H. Low duty cycle pulse testing techniques are used which maintains junction and case temperatures equal to the ambient temperature.)

Parameter	Symbol	Test Conditions	LX5241 / 5242 / 5243			Units
			Min.	Typ.	Max.	
LVD Terminator Section						
TermPwr Supply Current	LVD I_{CC}	All term lines = Open		25	30	mA
		LX5241/5243: DISCONNECT > 2.0V, LX5242: DISCONNECT < 0.8V		15	35	μA
Common Mode Voltage	V_{CM}		1.125	1.25	1.375	V
Offset Voltage	V_{FSB}	Open circuit between - and + (see Note 3)	100	112	125	mV
Differential Terminator Impedance	Z_D	V_{OUT} Differential = -1V to 1V	100	105	110	Ω
Common Mode Impedance	Z_{CM}	0V to 2.5V	100	200	300	Ω
Output Capacitance	C_O	LX5241/5243: DISCONNECT > 2.0V, LX5242: DISCONNECT < 0.8V		2.5		pF
Output Leakage	I_{LEAK}	LX5241/5243: DISCONNECT > 2.0V, LX5242: DISCONNECT < 0.8V, $V_{LINE} = 0$ to 4V, $T_A = 25^{\circ}\text{C}$			2	μA
		LX5241/5243: DISCONNECT > 2.0V, LX5242: DISCONNECT < 0.8V, $V_{TERM} = 0\text{V}$, $V_{LINE} = 2.7\text{V}$		1		μA
Mode Change Delay	t_{DF}	DIFFSENSE = 1.4V to 0V		115		ms
DIFFSENSE Section						
DIFFSENSE Output Voltage	V_{DIFF}		1.2	1.3	1.4	V
DIFFSENSE Output Source Current	I_{DIFF}	$V_{DIFF} = 0\text{V}$	5.0		15.0	mA
DIFFSENSE Sink Current	$I_{SINK(DIFF)}$	$V_{DIFF} = 2.75\text{V}$			200	μA
DIFFSENSE Output Leakage	$I_{LEAK(DIFF)}$	LX5241/5243: DISCONNECT > 2.0V, LX5242: DISCONNECT < 0.8V, $T_A = 25^{\circ}\text{C}$			10	μA
Single-Ended Termination Section						
TempPwr Supply Current	SE I_{CC}	All term lines = Open, Master/Slave = 0V		7	10	mA
		All term lines = 0.2V, Master/Slave = 0V		214	226	mA
		LX5241/5243: DISCONNECT > 2.0V, LX5242: DISCONNECT < 0.8V		15	35	μA
Terminator Output High Volt	V_O		2.6	2.85		V
Output Current	I_O	$V_{OUT} = 0.2\text{V}$	21	23	24	mA
Sink Current	I_{SINK}	$V_{OUT} = 4\text{V}$, All lines	45	65		mA
Output Capacitance	C_O	LX5241/5243: DISCONNECT > 2.0V, LX5242: DISCONNECT < 0.8V		2.5		pF
Leakage Current	I_{LEAK}	LX5241/5243: DISCONNECT > 2.0V, LX5242: DISCONNECT < 0.8V, $V_{OUT} = 0$ to 4V, $T_A = 25^{\circ}\text{C}$			2	μA
		LX5241/5243: DISCONNECT > 2.0V, LX5242: DISCONNECT < 0.8V, $V_{TERM} = \text{Open}$, $V_{LINE} = 2.7\text{V}$, $T_A = 25^{\circ}\text{C}$		1		μA

Note 3. Open circuit failsafe voltage.

MULTIMODE SCSI TERMINATOR PRODUCTION DATA SHEET

ELECTRICAL CHARACTERISTICS

Parameter	Symbol	Test Conditions	LX5241 / 5242			Units
			Min.	Typ.	Max.	
Single-Ended Termination Section (continued)						
Ground Driver Impedance	Z_G	$I = 1\text{mA}$			100	Ω
Thermal Shutdown				150		$^{\circ}\text{C}$
DISCONNECT Section						
DISCONNECT Thresholds	V_{TH}		0.8		2.0	V
Input Current	LX5241/43	I_{IL}	DISCONNECT = 0V		10	μA
	LX5242	I_{IL}	DISCONNECT = 0V		100	nA
	LX5241/43	I_{IH}	DISCONNECT = 2.4V		100	nA
	LX5242	I_{IH}	DISCONNECT = 2.4V		10	μA
MASTER / SLAVE Section						
MASTER / SLAVE Thresholds	$V_{TH(MS)}$		0.8		2.0	V
Input Current	$I_{IL(MS)}$	MASTER / SLAVE = 0V			10	μA
	$I_{IH(MS)}$	MASTER / SLAVE = 2.4V		100		nA

BLOCK DIAGRAM

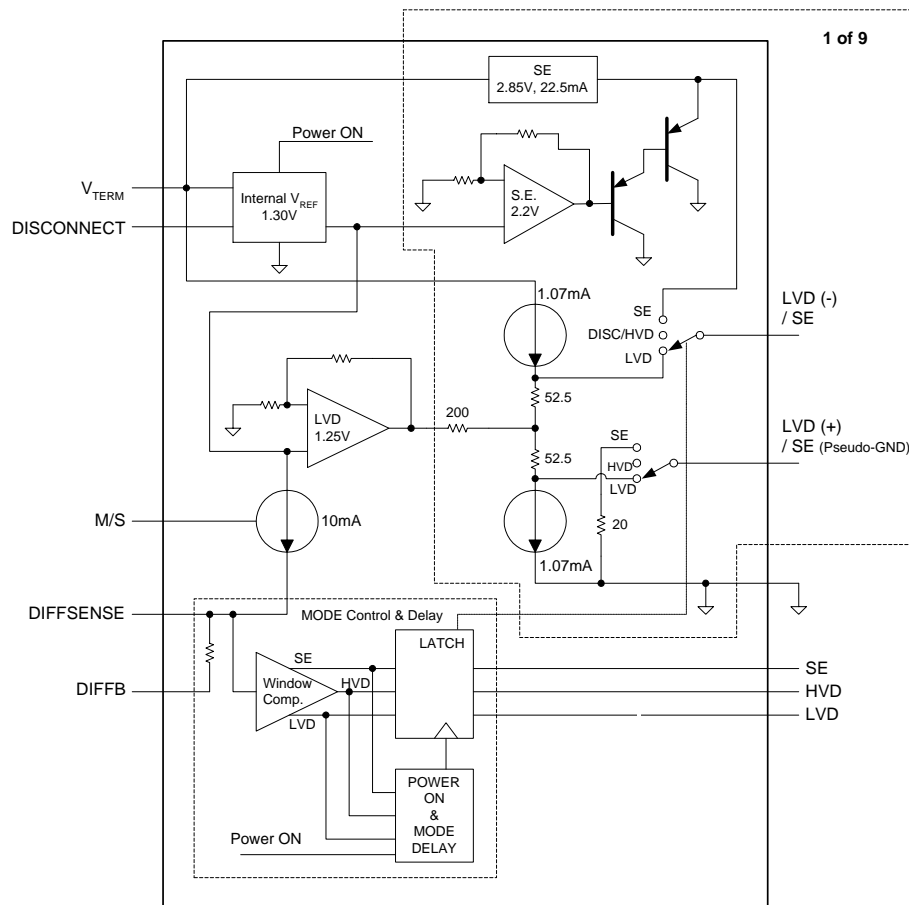


FIGURE 1 — LX5241/5242 Block Diagram

MULTIMODE SCSI TERMINATOR

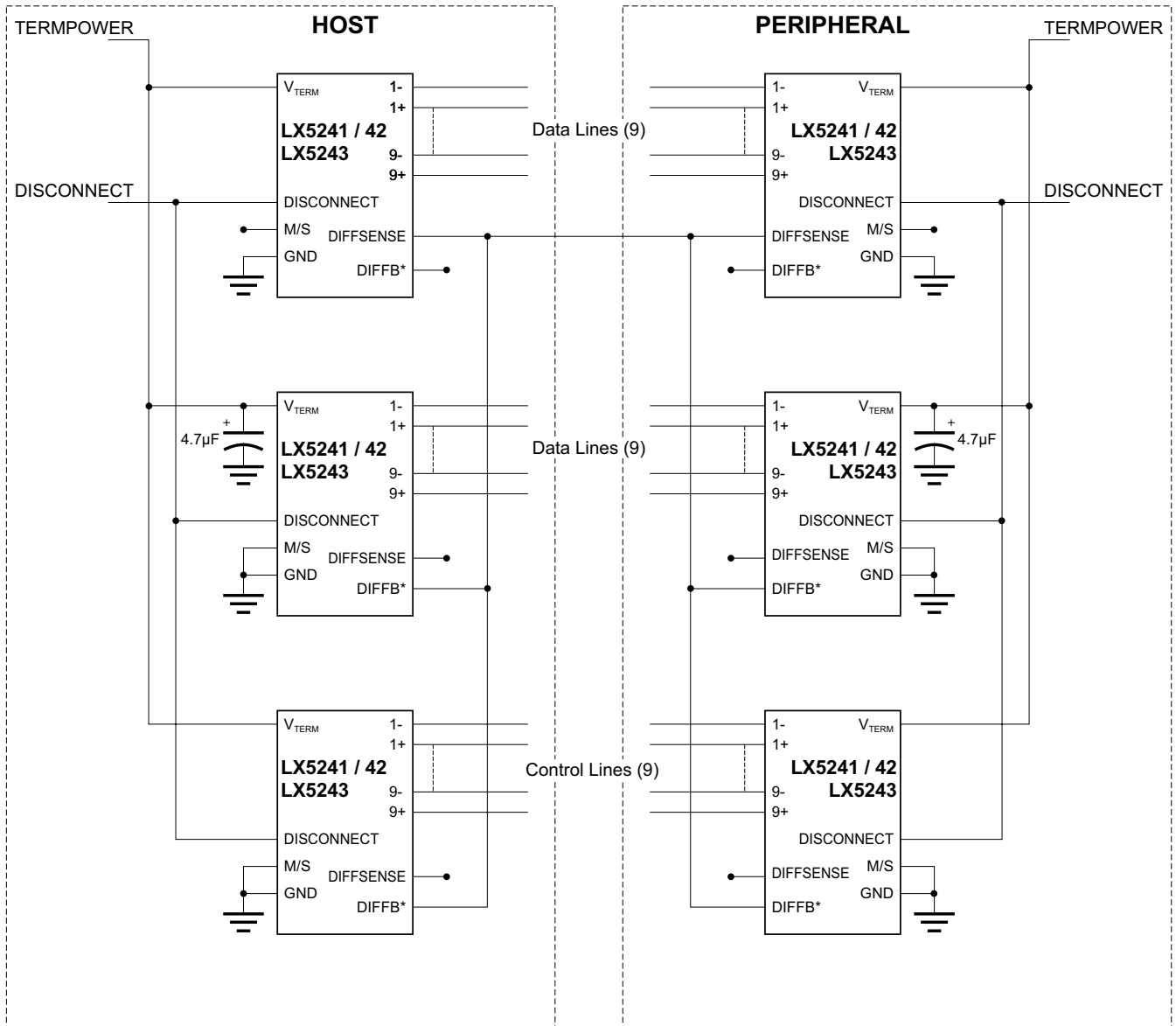
PRODUCTION DATA SHEET

FUNCTIONAL PIN DESCRIPTION

Pin Designator	Description
1-, 2-, 3-, 4-, 5-, 6-, 7-, 8-, 9-6	Negative signal termination lines for LVD mode. Signal termination lines for SE mode.
1+, 2+, 3+, 4+, 5+, 6+, 7+, 8+, 9+	Positive signal termination lines for LVD mode. Pseudo-ground lines for SE mode.
V_{TERM}	Power supply pin for terminator. Connect to SCSI bus TERMPWR. Must be decoupled by one 4.7 μ F low-ESR capacitor for every three terminator devices. It is absolutely necessary to connect this pin to the decoupling capacitor through a very low impedance (big traces on PCB). Keeping distances very short from the decoupling capacitors to the V_{TERM} pin is also critical. The value of the decoupling capacitor is somewhat layout dependant and some applications may benefit from high-frequency decoupling with 0.1 μ F capacitors right at V_{TERM} pin.
DISCONNECT6	Enables / disables terminator. See Power Down Function Table for logic levels per device.
GND6	Terminator ground pin. Connect to ground.
MASTER / SLAVE6	Sometimes referred to as M/S pin in this data sheet. Used to select which terminator is the controlling device. MASTER/SLAVE pin High or Open enables the DIFFSENSE output drive. Please see MASTER/SLAVE Function Table.
DIFFSENSE6	This is a dual function pin. It drives the SCSI bus DIFFSENS line. It is also the sense pin to detect the SCSI bus mode (LVD, SE or HVD). DIFFSENSE output drive can be disabled with Low level on the MASTER/SLAVE pin. Please see DIFFSENSE and MASTER/SLAVE Function Tables. Internally connected to DIFFB pin through 20kOhm resistor.
DIFFB6	Internally connected to DIFFSENSE pin through 20kOhm resistor. It can be used as a mode sense pin when the device is a non-controlling terminator (MASTER/SLAVE pin is Low). An RC filter (20kOhm / 0.1 μ F) is not required on the LX5241/42/43, as it has an internal timer.
SE6	Single-ended output; when High, terminator is operating in SE mode.
LVD6	Low Voltage Differential output. When High, terminator is operating in LVD mode.
HVD6	High Voltage Differential output. When High, terminator is operating in HVD mode.
HEATSINK6	Attached to die mounting pad, but not bonded to GND pin. Pins should be considered a heat sink only, and not a true ground connection. It is recommended that these pins be connected to ground, but can be left floating.

MULTIMODE SCSI TERMINATOR PRODUCTION DATA SHEET

APPLICATION SCHEMATIC



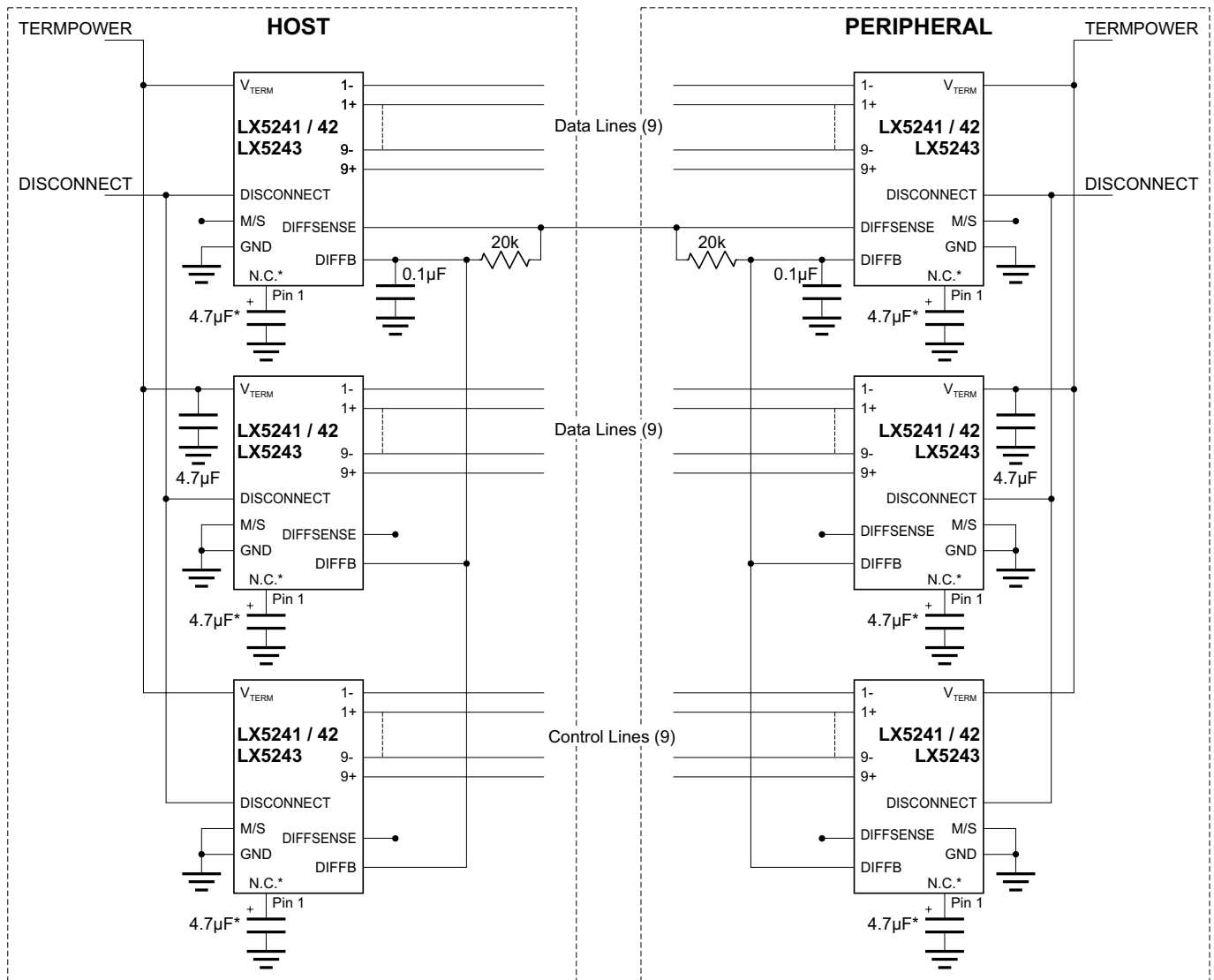
* DIFFB Pin not present on LX5241/5242 CPW Package . Must connect DIFFSENS signal to DIFFSENSE pin on PW package.

FIGURE 2 — Linfinity ONLY Application Schematic

MULTIMODE SCSI TERMINATOR

PRODUCTION DATA SHEET

APPLICATION SCHEMATIC



* The capacitor on Pin 1 can be placed on the LX5241CDB, LX5242CDB or the LX5243CPW to be pin-compatible with other devices. This V_{REG}/REF capacitor is not required.

FIGURE 3 — Suggested Linfinity LX5241/5242/5243 Universal Application Schematic
(Please Reference Manufacturer's Current Data Sheet To Ensure Compatibility)

UltraMAX is a trademark of Linfinity Microelectronics Inc.

PRELIMINARY DATA - Information contained in this document is pre-production data, and is proprietary to Linfinity. It may not be modified in any way without the express written consent of Linfinity. Product referred to herein is offered in sample form only, and Linfinity reserves the right to change or discontinue this proposed product at any time.