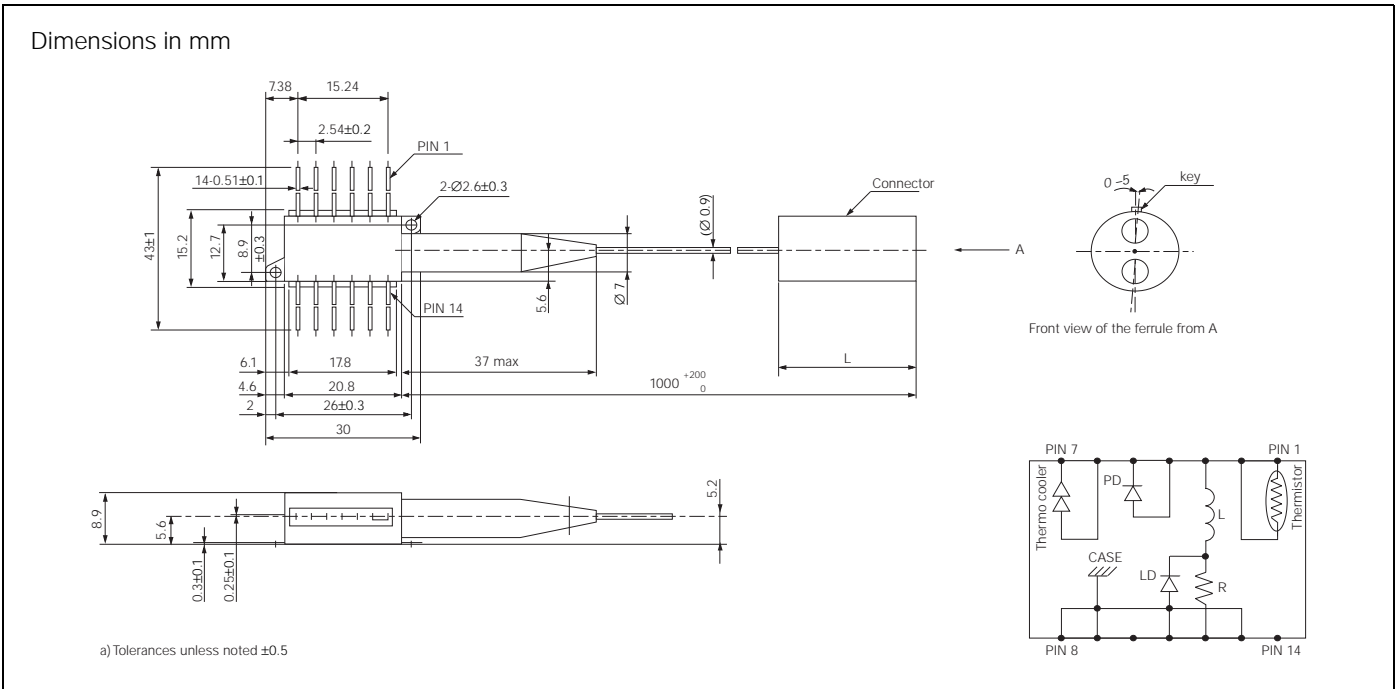


V23845-Lxy^(*)11-z^(**)116

1.55 μm DFB LD Module for WDM
Direct modulated 2.5 Gbit/s, 1800 ps nm, 10 mW
Preliminary



FEATURES

- Input impedance is 25 Ω
- Distributed feedback (DFB) Laser Diode
- Emission wavelength is the 1.55 μm band
- Single mode optical fiber pigtail
- Built-in optical isolator
- Built-in thermal electrical cooler
- Butterfly package

Absolute Maximum Ratings

Operating case temperature (T_C)..... -20 to +70°C
Storage temperature (T_{stg}) -40 to +85°C

Laser diode

Optical output power (P_F)..... 15 mW
Forward current (I_F) 150 mA
Reverse Voltage (V_F)..... 2 V

Photo diode

Reverse voltage (V_{RD})..... 20 V
Forward current (I_{FD}) 2 mA

Thermo-electric cooler⁽¹⁾

Cooler current (I_{pe})..... 1.3 A
Cooler voltage (V_{pe}) 3.1 V

Note

1. Even if the thermo-electric cooler (TEC) is operated within the rated conditions, uncontrolled current loading or operation heatsink may easily damage the module by exceeding the storage temperature range. Thermistor resistance should be properly monitored by the feedback circuit during TEC operation to avoid the catastrophic damage.

Pin Description

Pin#	Description
1	Thermistor
2	Thermistor
3	LD BIAS (-)
4	PD Anode
5	PD Cathode
6	Cooler Anode
7	Cooler Cathode
8	GND
9	GND
10	NC
11	LD Anode, GND
12	LD RF
13	LD Anode, GND
14	NC

* see Table 1, p. 3

**Connectors available
C = SC / PC
F = FC / PC
P = bare Fiber

Electro-Optical Characteristics

Item	Symbol	Condition	Min.	Typ.	Max.	Units
Threshold current	I _{th}	CW		10	25	mA
Optical output power at threshold current	P _{th}	CW, I _f =I _{th}			150	μW
Operating current	I _{op}	CW, P _F =10 mW		50	95	mA
Operating voltage	V _{op}	CW, P _F =10 mW		1.3	1.8	V
Input impedance	Z _{in}	P _F = 10mW		25		Ω
Light-emission central wavelength ⁽¹⁾⁽²⁾	λ _C					nm
Central wavelength drift with case temp.	Δλ _C /ΔT _C	T _C =-20~70°C	-1		0	pm/°C
Laser operating temperature	T _{set}		20		35	°C
Spectral width ⁽¹⁾	Δλ	-20 dB		0.2	0.4	nm
Side mode suppression ratio ⁽¹⁾	S _r		33	40		dB
Dispersion penalty ⁽¹⁾	P _p	at 10 ⁻¹⁰ BER, +1800 ps/nm			2	
Cut off frequency (-1.5dB optical)	f _c	P _F =10 mW	3.5			GHz
Rise and fall time ⁽¹⁾ (10~90%)	t _r , t _f				150	psec
Relative intensity noise	N _r	CW, P _F =10 mW, 0.5~3 GHz		-155	-145	dB/Hz
Tracking error ⁽³⁾	E _r	T _C =-20~70°C, APC, ATC			0.5	dB
Differential efficiency	η	CW, P _F =10 mW	0.15	0.25	0.35	mW/mA
Linearity ⁽⁴⁾	Δη	CW, P _F =1~12 mW	-20		20	%
Monitor current	I _{mon}	CW, P _F =10 mW, V _{rd} =5 V	0.2		3	mA
Optical isolation	I _{so}	T _C =25°C	35			dB
		T _C =-20~70°C	23			
Dark current	I _d	V _{RD} =5 V, T _C =-20~70°C			0.1	μA
Capacitance	C _t	V _{RD} =5 V, f=1 MHz			10	pF

Notes

- 2.48832 Gb/s NRZ, 2²³-1, P_{F_ave}=1 mW, extinction ratio 10 dB, optical return loss of the connectors should be greater than 40 dB in order to ensure the specified performance.
- See Table 1
- E_r=max | 10*log (P_f/P_{f@25°C})
- Variation of the differential efficiency from the straight line between 1 mW and 10 mW.

Fiber Pigtail Specifications

Item	Specification	Unit
Type	SM	
Mode field diameter	9.5±1	μm
Cladding diameter	125±2	
Secondary coating outer diameter	0.9±0.1	mm
Connector ⁽¹⁾		
Optical return loss of connector	40 (min)	dB

Note

- No connector or FC/PC or SC/PC

Thermal characteristics (T_{ld}=T_{set}, T_C=-20~70°C)

Item	Symbol	Condition	Min.	Typ.	Max.	Units
Thermistor resistance	R _{th}	T _{ld} =25°C	9.5	10	10.5	kΩ
B constant of R _{th}	B			3950		K
Cooling capacity	ΔT	P _F =10 mW T _C =70°C	50			°C
Cooler current	I _{pe}	P _F =10 mW T _C =70°C T _{ld} =T _{set}		0.6	1	A
Cooler voltage	V _{pe}	P _F =10 mW T _C =70°C T _{ld} =T _{set}		1.2	2	V

DOCUMENTATION

- Fiber output power vs. Laser forward current at $T_{ld}=T_{set}$ and $T_C=20, 25, 70^\circ\text{C}$
- BER curves at 2.48832 Gb/s modulation
- Threshold current (I_{th})
- Laser forward current (I_{op}) at $P_F=10\text{ mW}$
- Laser forward voltage (V_{op}) at $P_F=10\text{ mW}$
- Laser operating temperature (T_{set}) at $\lambda_C^{(1)}$
- Monitor current (I_{mon}) at $P_F=10\text{ mW}$
- Thermistor resistance (R_{th})
- Cooler current (I_{pe}) at $P_F=10\text{ mW}$ and $T_C=70^\circ\text{C}$
- Cooler voltage (V_{pe}) at $P_F=10\text{ mW}$ and $T_C=70^\circ\text{C}$

Note

- 1 T_{set} is attached as a reference data. R_{th} should be used in order to tune the wavelength to the specified value accurately.

*Table 1

λ_C (nm)	x	y	λ_C (nm)	x	y	λ_C (nm)	x	y
1529.55	0	9	1541.35	3	9	1553.33	6	9
1530.33	1	1	1542.14	4	1	1554.13	7	1
1531.12	1	3	1542.94	4	3	1554.94	7	3
1531.90	1	5	1543.73	4	5	1555.75	7	5
1532.68	1	7	1544.53	4	7	1556.55	7	7
1533.47	1	9	1545.32	4	9	1557.36	7	9
1534.25	2	1	1546.12	5	1	1558.17	8	1
1535.04	2	3	1546.92	5	3	1558.98	8	3
1535.82	2	5	1547.72	5	5	1559.79	8	5
1536.61	2	7	1548.51	5	7	1560.61	8	7
1537.40	2	9	1549.32	5	9	1561.42	8	9
1538.19	3	1	1550.12	6	1	1562.23	9	1
1538.98	3	3	1550.92	6	3	1563.05	9	3
1539.77	3	5	1551.72	6	5	1563.86	9	5
1540.56	3	7	1552.52	6	7			

All wavelengths are referred to vacuum.
Tolerance is $\lambda_C \pm 0.05\text{ nm}$.

Published by Infineon Technologies AG

© Infineon Technologies AG 1999
All Rights Reserved

Attention please!

The information herein is given to describe certain components and shall not be considered as warranted characteristics.
Terms of delivery and rights to technical change reserved.
We hereby disclaim any and all warranties, including but not limited to warranties of non-infringement, regarding circuits, descriptions and charts stated herein.
Infineon Technologies is an approved CECC manufacturer.

Information

For further information on technology, delivery terms and conditions and prices please contact the Infineon Technologies offices or our Infineon Technologies Representatives worldwide - see our webpage at www.infineon.com/fiberoptics

Warnings

Due to technical requirements components may contain dangerous substances. For information on the types in question please contact your Infineon Technologies offices.

Infineon Technologies Components may only be used in life-support devices or systems with the express written approval of Infineon Technologies, if a failure of such components can reasonably be expected to cause the failure of that life-support device or system, or to affect the safety or effectiveness of that device or system. Life support devices or systems are intended to be implanted in the human body, or to support and/or maintain and sustain and/or protect human life. If they fail, it is reasonable to assume that the health of the user or other persons may be endangered.