

Radius Power

RP105 - CHASSIS MOUNT FILTER

Features

- Quick Disconnect terminals
- Currents to 16A
- Compact/ lightweight packaging
- International Safety Approvals
- Selectable Y-cap to vary leakage

Specifications

Operating Freq.: DC - 60Hz
 Operating Voltage: 250V +10%
 Ambient Temperature: 40°C
 Inrush Rating: 20xI(10ms), 1.5xI(1.5min)
 Climatic Category : 25/100/21
 Hipot Rating: 2200VDC (P/N - E)

Overall/Mounting Dimensions

Housing (LxWxH): 2.00 x 1.81 x 1.14 (in)
 51 x 46 x 29 (mm)
 Mounting hole, center-center: 2.40(in) 61(mm)
 Mounting hole size: .2 x .25(in) 5x6.35(mm)

Insertion Loss (Typical)

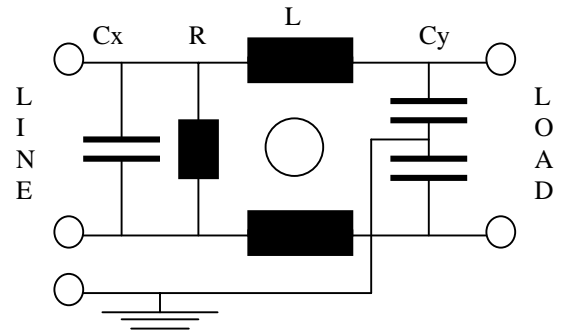
FREQ(MHZ)	.150	.500	1.0	10	30
CM(dB) - 3A	35	50	50	50	50
- 16A	15	25	35	40	50
DM(dB) - 3A	20	40	60	60	60
- 16A	12	25	50	55	55

Part Number / Ordering

SERIES	CURRENT	Y-CAP(nF)
RP105	-X	-Y
	3	0
	6	.22
	10	.47
	16	1
		2.2
		4.7
		10



Schematic



Component Values

I(A)	3	6	10	16
L(mH)	5	2.5	1.5	.6
Cx(uF)	.47	.47	.47	.47
Cy(nF)	SEE TABLE BELOW			
R(Mohm)	1	1	1	1

Total Leakage Current (uA)

Y-CAP(nF)	230V/50HZ	120V/60HZ
0	0	0
.22	32	20
.47	68	42
1	14	90
2.2	320	200
4.7	680	420
10	1445	905

FOR ENGINEERING ASSISTANCE CALL (714)289-0055 x250

941E North Elm Street * Orange, CA 92867 * info@radiuspower.com
 (714)289-0055 PH * (714)289-2149 FAX