

Radius Power

RP350 - 3PH, NO NEUTRAL FILTER



Features

- Delta configuration
- Compact/ lightweight packaging
- International Safety Approvals
- Selectable Y-cap to vary leakage

Specifications

Operating Frequency: DC - 60Hz
Operating Voltage: 480V +10%
Ambient Temperature: 50°C
Inrush Rating: 20xI(10ms), 1.5xI(1min)
Climatic Category: 25/100/21
Hipot Rating: 3000VDC (P/N - E)

Terminal Data

| Terminations: I(A) | S | SM |
|--------------------|--------|----|
| 20 | 8-32 | M4 |
| 40 | 8-32 | M4 |
| 60 | 1/8"20 | M6 |
| 80 | 1/8"20 | M6 |

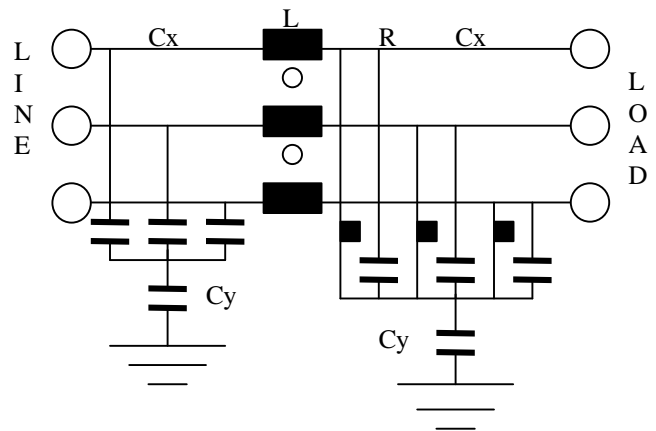
Insertion Loss (Typical)

| FREQ(MHZ) | .15 | .5 | 1.0 | 10 | 30 |
|--------------|-----|----|-----|----|----|
| CM(dB) - 20A | 30 | 40 | 45 | 50 | 50 |
| - 80A | 12 | 25 | 35 | 40 | 40 |
| DM(dB) - 20A | 35 | 55 | 60 | 60 | 60 |
| - 80A | 20 | 30 | 50 | 50 | 50 |

Part Number/Ordering/Leakage Current

| SERIES | CURR | Cy | TERM | LK(mA) |
|--------|------|-----|------|-----------|
| RP350 | -X | -Y | -T | 277V/60HZ |
| | 20 | 0 | S | 0 |
| | 40 | 4.7 | SM | .09 |
| | 60 | 10 | | .18 |
| | 80 | 22 | | .4 |
| | | 47 | | .9 |
| | | 100 | | 1.8 |

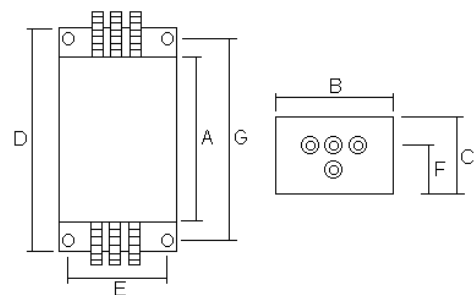
Schematic



Component Values

| I(A) | 20 | 40 | 60 | 80 |
|---------|-----------------|-----|-----|-----|
| L(mH) | 3 | 1 | .4 | .25 |
| Cx(uF) | 2.2 | 2.2 | 2.2 | 2.2 |
| Cy(nF) | SEE TABLE BELOW | | | |
| R(Mohm) | .22 | .22 | .22 | .22 |

Mechanicals



| A | B | C | D | E | F | G | MTG |
|-----|---|------|-----|---|-----|-----|--------|
| 5.5 | 4 | 3.25 | 7.5 | 4 | 2.5 | 6.5 | .25x.3 |

FOR ENGINEERING ASSISTANCE CALL (714)289-0055 x250

941E NORTH ELM STREET * ORANGE, CA 92867 * info@radiuspower.com
 (714)289-0055 PH * (714)289-2149 FAX