

---

# **LOW NOISE 150mA L.D.O REGULATOR**

**R1120N SERIES**

**APPLICATION MANUAL**

**RICOH**

**ELECTRONIC DEVICES DIVISION**

---

NO. EA-047-9803

## NOTICE

---

1. The products and the product specifications described in this application manual are subject to change or discontinuation of production without notice for reasons such as improvement. Therefore, before deciding to use the products, please refer to Ricoh sales representatives for the latest information thereon.
2. This application manual may not be copied or otherwise reproduced in whole or in part without prior written consent of Ricoh.
3. Please be sure to take any necessary formalities under relevant laws or regulations before exporting or otherwise taking out of your country the products or the technical information described herein.
4. The technical information described in this application manual shows typical characteristics of and example application circuits for the products. The release of such information is not to be construed as a warranty of or a grant of license under Ricoh's or any third party's intellectual property rights or any other rights.
5. The products listed in this document are intended and designed for use as general electronic components in standard applications (office equipment, computer equipment, measuring instruments, consumer electronic products, amusement equipment etc.). Those customers intending to use a product in an application requiring extreme quality and reliability, for example, in a highly specific application where the failure or misoperation of the product could result in human injury or death (aircraft, spacevehicle, nuclear reactor control system, traffic control system, automotive and transportation equipment, combustion equipment, safety devices, life support system etc.) should first contact us.
6. We are making our continuous effort to improve the quality and reliability of our products, but semiconductor products are likely to fail with certain probability. In order prevent any injury to persons or damages to property resulting from such failure, customers should be careful enough to incorporate safety measures in their design, such as redundancy feature, fire-containment feature and fail-safe feature. We do not assume any liability or responsibility for any loss or damage arising from misuse or inappropriate use of the products.
7. Anti-radiation design is not implemented in the products described in this application manual.
8. Please contact Ricoh sales representatives should you have any questions or comments concerning the products or the technical information.

June 1995

# R1120N SERIES

## APPLICATION MANUAL

### CONTENTS

---

<b>OUTLINE</b> .....	1
<b>FEATURES</b> .....	1
<b>APPLICATIONS</b> .....	1
<b>BLOCK DIAGRAM</b> .....	2
<b>SELECTION GUIDE</b> .....	2
<b>PIN CONFIGURATION</b> .....	3
<b>PIN DESCRIPTION</b> .....	3
<b>ABSOLUTE MAXIMUM RATINGS</b> .....	4
<b>ELECTRICAL CHARACTERISTICS</b> .....	5
<b>OPERATION</b> .....	7
<b>TEST CIRCUITS</b> .....	8
<b>TYPICAL CHARACTERISTICS</b> .....	9
1) Output Voltage vs. Output Current .....	9
2) Output Voltage vs. Input Voltage .....	9
3) Dropout Voltage vs. Output Current .....	10
4) Output Voltage vs. Temperature .....	11
5) Supply Current vs. Input Voltage .....	11
6) Supply Current vs. Temperature .....	12
7) Dropout Voltage vs. Set Output Voltage .....	13
8) Ripple Rejection vs. Frequency .....	13
9) Ripple Rejection vs. Input Voltage (DC bias) .....	15
10) Line Transient Response .....	15
11) Load Transient Response .....	16
<b>TYPICAL APPLICATION</b> .....	19
<b>PACKAGE DIMENSION</b> .....	19
<b>TAPING SPECIFICATION</b> .....	20

---

**R1120N SERIES**

---

**OUTLINE**

The R1120N Series are voltage regulator ICs with high output voltage accuracy, lowest supply current, low ON Resistance and high Ripple Rejection by CMOS process. Each of these voltage regulator ICs consists of a voltage reference unit, an error amplifier, resistors, a current limit circuit and a chip enable circuit.

These ICs perform with low dropout voltage and a chip enable function.

The Dynamic Response to line and load is fast, so these ICs are very suitable for the power supply for handheld communication equipment.

The output voltage of these ICs is fixed with high accuracy.

Since the package for these ICs are SOT-23-5 (Mini-mold) package, high density mounting of the ICs on boards is possible.

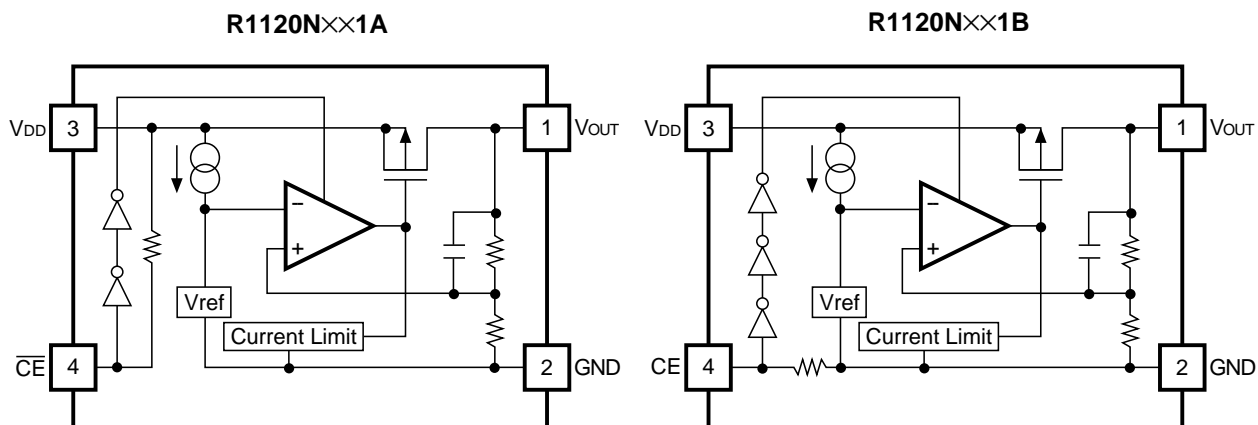
**FEATURES**

- Ultra-Low Supply Current .....TYP. 35 $\mu$ A
- Standby Current .....TYP. 0.1 $\mu$ A
- Dropout Voltage .....TYP. 0.2V ( $I_{OUT}=100\text{mA}$ )
- High Ripple Rejection .....TYP. 70dB ( $f=1\text{kHz}$ )
- High Accuracy Output Voltage ..... $\pm 2.0\%$
- Low Temperature-Drift Coefficient of  
Output Voltage .....TYP.  $\pm 100\text{ppm}/^{\circ}\text{C}$
- Excellent Line Regulation .....TYP. 0.05%/V
- Pinout .....Similar to the TK112
- Small Package .....SOT-23-5 (Mini-mold)

**APPLICATIONS**

- Power source for portable communication tools, cameras and VCRs.
- Power source for battery-powered equipment.
- Power source for domestic appliances.

## BLOCK DIAGRAM



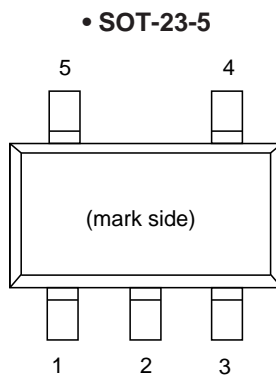
## SELECTION GUIDE

The output voltage, the active type, the packing type and the taping type for the ICs can be selected at the user's request. The selection can be made by designating the part number as shown below:

R1120N  $\times \times 1 \times - \times \times \leftarrow$  Part Number  
 $\begin{matrix} \downarrow & \uparrow & \downarrow \\ a & b & c \end{matrix}$

Code	Contents
a	Setting Output Voltage (V <sub>OUT</sub> ) : Stepwise setting with a step of 0.1V in the range of 2.0V to 6.0V is possible.
b	Designation of Chip enable Active Type : A : "L" active type B : "H" active type
c	Designation of Taping Type : Ex. TR, TL (refer to Taping Specifications, TR type is prescribed as a standard.)

## PIN CONFIGURATION



## PIN DESCRIPTION

Pin No.	Symbol	Pin Description
1	V <sub>OUT</sub>	Output Pin
2	GND	Ground Pin
3	V <sub>DD</sub>	Input Pin
4	CE or $\overline{\text{CE}}$	Chip Enable Pin
5	NC	No Connection

**ABSOLUTE MAXIMUM RATINGS**

Symbol	Item	Rating	Unit
V <sub>IN</sub>	Input Voltage	9	V
V <sub>CE</sub>	Input Voltage for CE/ $\overline{\text{CE}}$ Pin	-0.3 to V <sub>IN</sub> +0.3	V
V <sub>OUT</sub>	Output Voltage	-0.3 to V <sub>IN</sub> +0.3	V
I <sub>OUT</sub>	Output Current	200	mA
P <sub>D</sub>	Power Dissipation	250	mW
T <sub>opt</sub>	Operating Temperature Range	-40 to 85	°C
T <sub>stg</sub>	Storage Temperature Range	-55 to 125	°C

**ABSOLUTE MAXIMUM RATINGS**

Absolute Maximum ratings are threshold limit values that must not be exceeded even for an instant under any conditions. Moreover, such values for any two items must not be reached simultaneously. Operation above these absolute maximum ratings may cause degradation or permanent damage to the device. These are stress ratings only and do not necessarily imply functional operation below these limits.

## ELECTRICAL CHARACTERISTICS

T<sub>opt</sub>=25°C

Symbol	Item	Conditions	MIN.	TYP.	MAX.	Unit
V <sub>OUT</sub>	Output Voltage	V <sub>IN</sub> -setV <sub>OUT</sub> =1.0V 1mA≤I <sub>OUT</sub> ≤30mA	×0.98		×1.02	V
I <sub>OUT</sub>	Output Current	V <sub>IN</sub> -setV <sub>OUT</sub> =1.0V when V <sub>OUT</sub> =setV <sub>OUT</sub> -0.1V	150			mA
$\frac{\Delta V_{OUT}}{\Delta I_{OUT}}$	Load Regulation	V <sub>IN</sub> -setV <sub>OUT</sub> =1.0V 1mA≤I <sub>OUT</sub> ≤80mA		12	40	mV
V <sub>DIF</sub>	Dropout Voltage	refer to the ELECTRICAL CHARACTERISTICS by OUTPUT VOLTAGE				
I <sub>SS</sub>	Supply Current	V <sub>IN</sub> -setV <sub>OUT</sub> =1.0V		35	70	μA
I <sub>standby</sub>	Standby Current	V <sub>IN</sub> -setV <sub>OUT</sub> =1.0V, V <sub>CE</sub> =V <sub>IN</sub>		0.1	1.0	μA
$\frac{\Delta V_{OUT}}{\Delta V_{IN}}$	Line Regulation	refer to the ELECTRICAL CHARACTERISTICS by OUTPUT VOLTAGE				
RR	Ripple Rejection	f=1kHz, Ripple 0.5Vp-p V <sub>IN</sub> -setV <sub>OUT</sub> =1.0V		70		dB
V <sub>IN</sub>	Input Voltage		2.7		8	V
$\frac{\Delta V_{OUT}}{\Delta T_{opt}}$	Output Voltage Temperature Coefficient	I <sub>OUT</sub> =30mA -40°C≤T <sub>opt</sub> ≤85°C		±100		ppm/°C
I <sub>lim</sub>	Short Current Limit	V <sub>OUT</sub> =0V		50		mA
R <sub>PU</sub>	Pull up resistance for $\overline{CE}$ pin		2.5	5	10	MΩ
V <sub>CEH</sub>	$\overline{CE}$ Input Voltage "H"		1.5		V <sub>IN</sub>	V
V <sub>CEL</sub>	$\overline{CE}$ Input Voltage "L"		0		0.25	V
en	Output Noise	BW=10Hz to 100kHz		60		μV <sub>rms</sub>



Topt=25°C

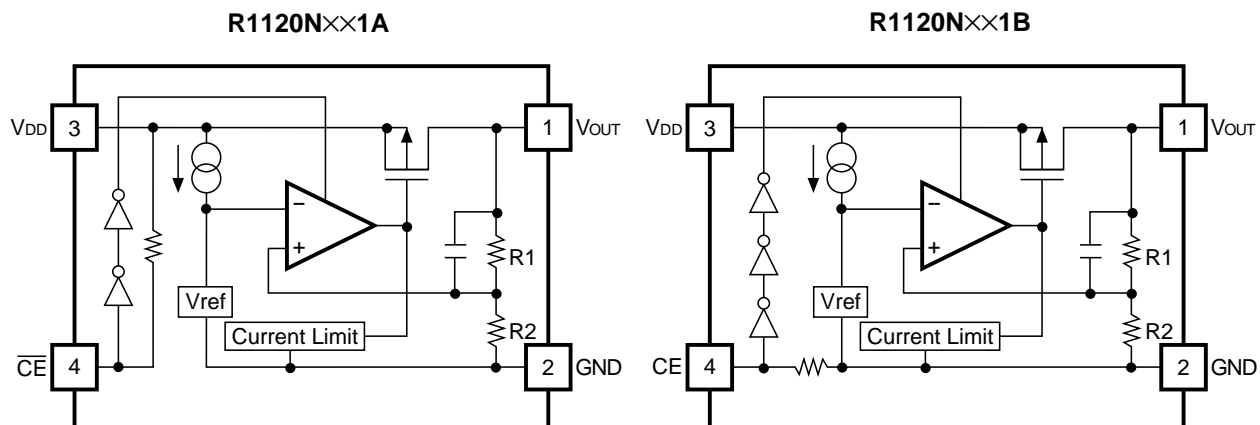
Symbol	Item	Conditions	MIN.	TYP.	MAX.	Unit
V <sub>OUT</sub>	Output Voltage	V <sub>IN</sub> -setV <sub>OUT</sub> =1.0V 1mA≤I <sub>OUT</sub> ≤30mA	×0.98		×1.02	V
I <sub>OUT</sub>	Output Current	V <sub>IN</sub> -setV <sub>OUT</sub> =1.0V when V <sub>OUT</sub> =setV <sub>OUT</sub> - 0.1V	150			mA
$\frac{\Delta V_{OUT}}{\Delta I_{OUT}}$	Load Regulation	V <sub>IN</sub> -setV <sub>OUT</sub> =1.0V 1mA≤I <sub>OUT</sub> ≤80mA		12	40	mV
V <sub>DIF</sub>	Dropout Voltage	refer to the ELECTRICAL CHARACTERISTICS by OUTPUT VOLTAGE				
I <sub>SS</sub>	Supply Current	V <sub>IN</sub> -setV <sub>OUT</sub> =1.0V		35	70	μA
I <sub>standby</sub>	Standby Current	V <sub>IN</sub> -setV <sub>OUT</sub> =1.0V, V <sub>CE</sub> =GND		0.1	1.0	μA
$\frac{\Delta V_{OUT}}{\Delta V_{IN}}$	Line Regulation	refer to the ELECTRICAL CHARACTERISTICS by OUTPUT VOLTAGE				
RR	Ripple Rejection	f=1kHz, Ripple 0.5Vp-p V <sub>IN</sub> -setV <sub>OUT</sub> =1.0V		70		dB
V <sub>IN</sub>	Input Voltage		2.7		8	V
$\frac{\Delta V_{OUT}}{\Delta T_{opt}}$	Output Voltage Temperature Coefficient	I <sub>OUT</sub> =30mA -40°C≤T <sub>opt</sub> ≤85°C		±100		ppm/°C
I <sub>lim</sub>	Short Current Limit	V <sub>OUT</sub> =0V		50		mA
R <sub>PD</sub>	Pull down resistance for $\overline{CE}$ pin		2.5	5	10	MΩ
V <sub>CEH</sub>	$\overline{CE}$ Input Voltage “H”		1.5		V <sub>IN</sub>	V
V <sub>CEL</sub>	$\overline{CE}$ Input Voltage “L”		0		0.25	V
en	Output Noise	BW=10Hz to 100kHz		60		μVrms

• ELECTRICAL CHARACTERISTICS by OUTPUT VOLTAGE

Topt=25°C

Output Voltage V <sub>OUT</sub> (V)	Dropout Voltage			Line Rejection		
	V <sub>DIF</sub> (V)			$\Delta V_{OUT}/\Delta V_{IN}(\%/V)$		
	Conditions	TYP.	MAX.	Conditions	TYP.	MAX.
2.0≤V <sub>OUT</sub> ≤2.4	I <sub>OUT</sub> =100mA	0.30	0.70	I <sub>OUT</sub> =30mA setV <sub>OUT</sub> +0.7V≤V <sub>IN</sub> ≤8V	0.05	0.20
2.5≤V <sub>OUT</sub> ≤2.7		0.24	0.35	I <sub>OUT</sub> =30mA setV <sub>OUT</sub> +0.5V≤V <sub>IN</sub> ≤8V		
2.8≤V <sub>OUT</sub> ≤3.3		0.20	0.30			
3.4≤V <sub>OUT</sub> ≤6.0		0.17	0.26			

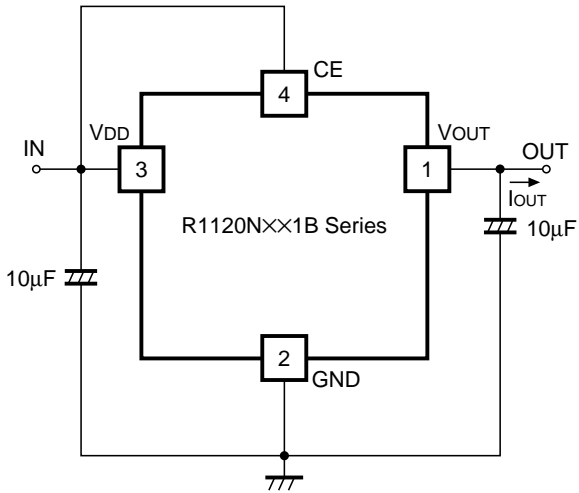
## OPERATION



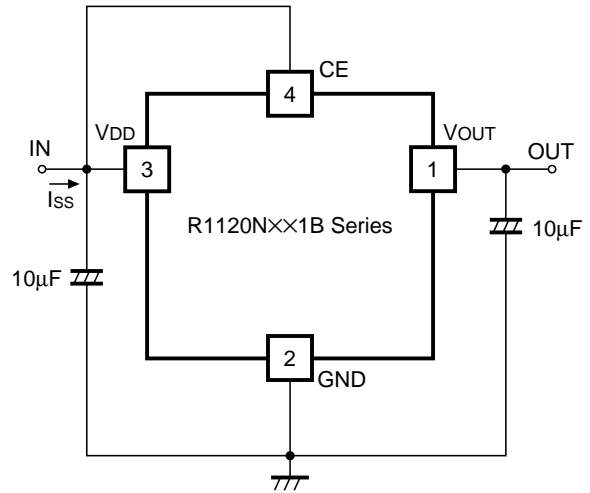
In these ICs, fluctuation in Output Voltage  $V_{OUT}$  is detected by Feed-back Registers R1, R2, and the result is compare with a reference voltage by Error Amplifier, so that a constant voltage is output.

A current limit circuit working for Short Protect and a chip enable circuit are included.

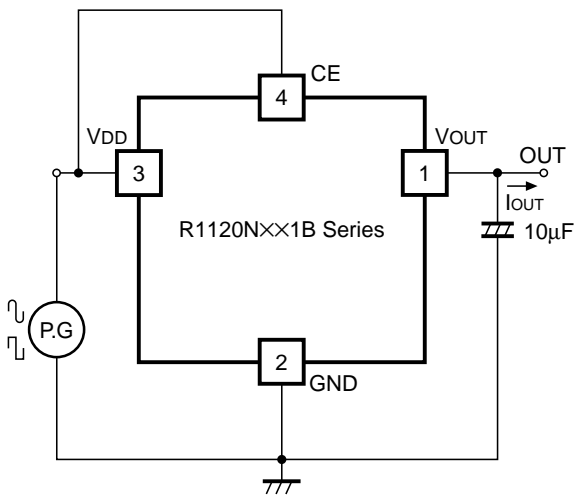
TEST CIRCUITS



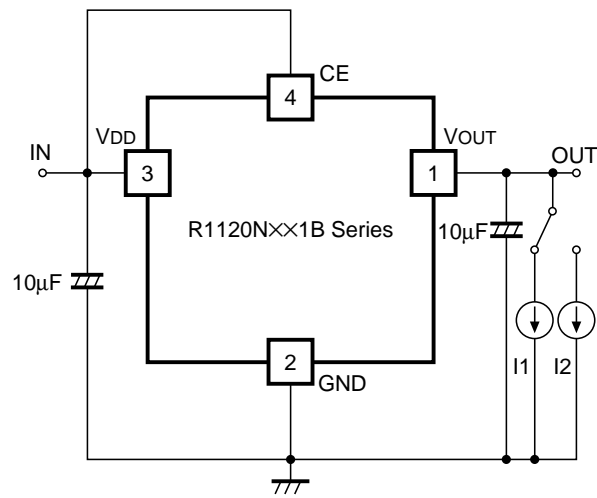
Standard Test Circuit



Test Circuit for Supply Current



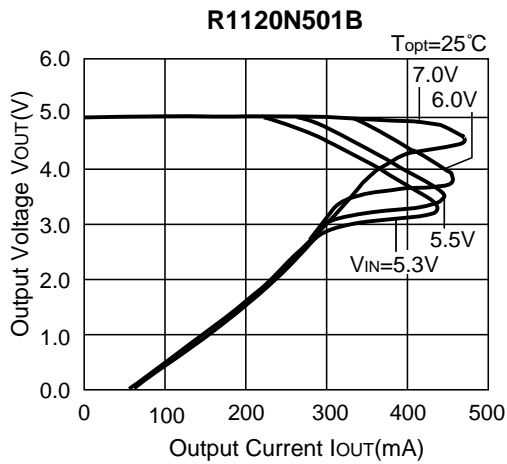
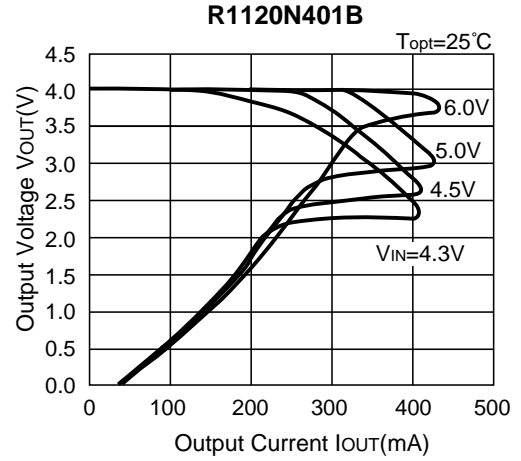
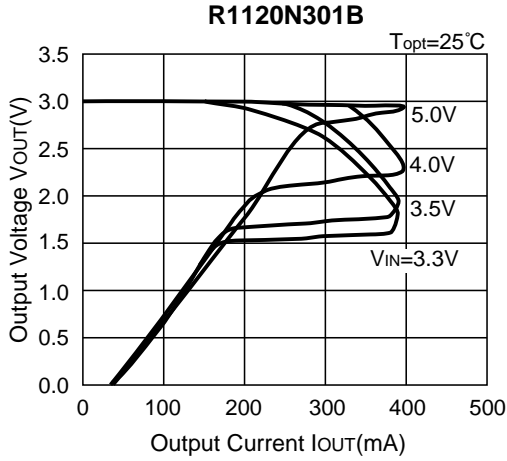
Test Circuit for Ripple Rejection and Line Transient Response



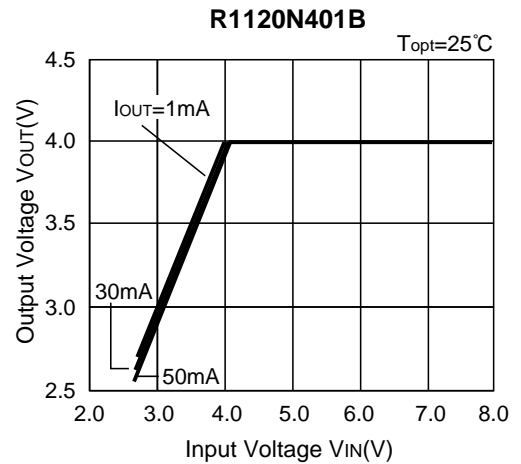
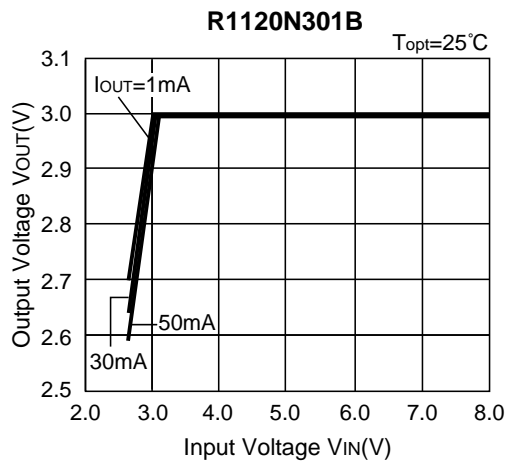
Test Circuit for Load Transient Response

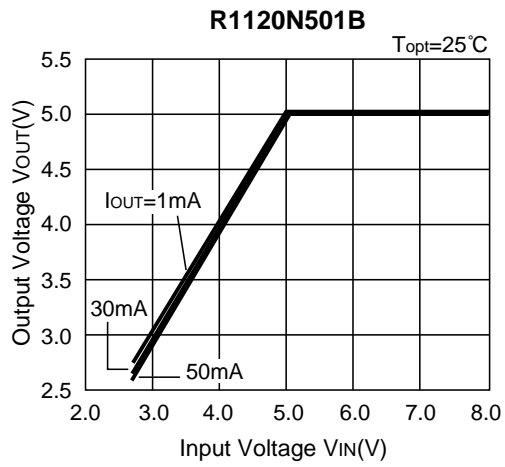
## TYPICAL CHARACTERISTICS

### 1) Output Voltage vs. Output Current

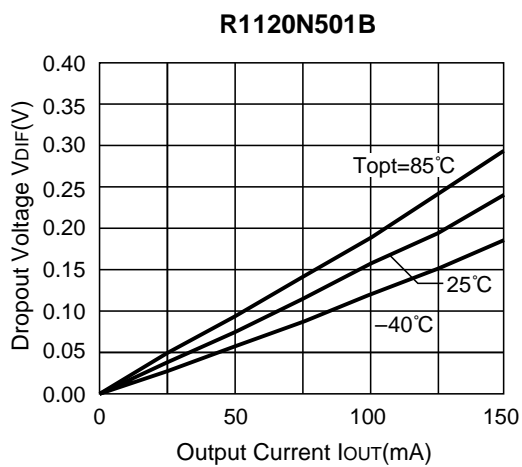
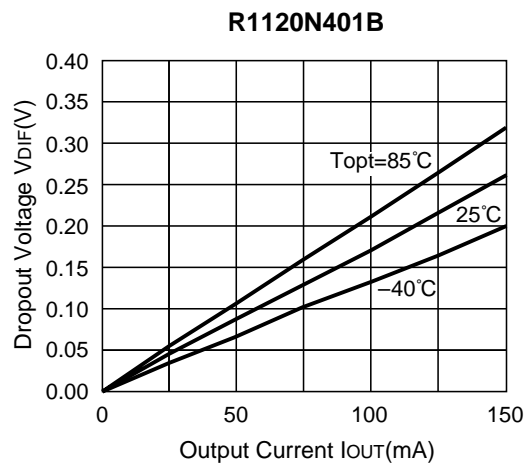
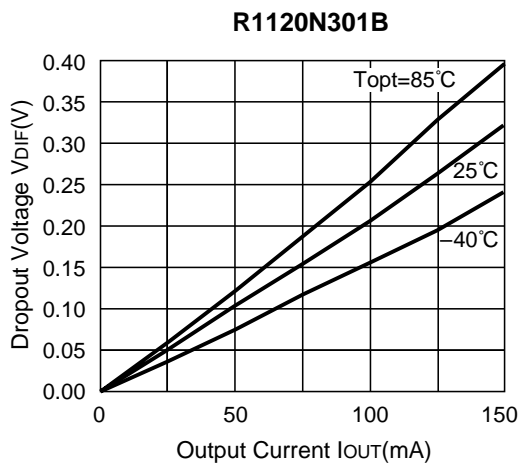


### 2) Output Voltage vs. Input Voltage

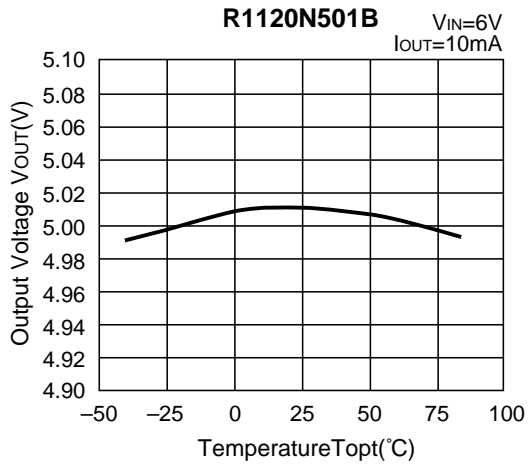
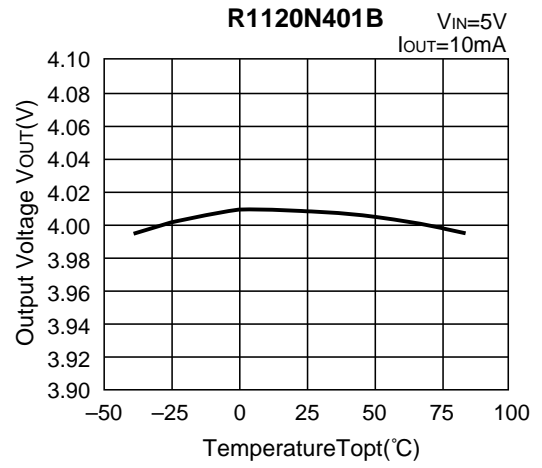
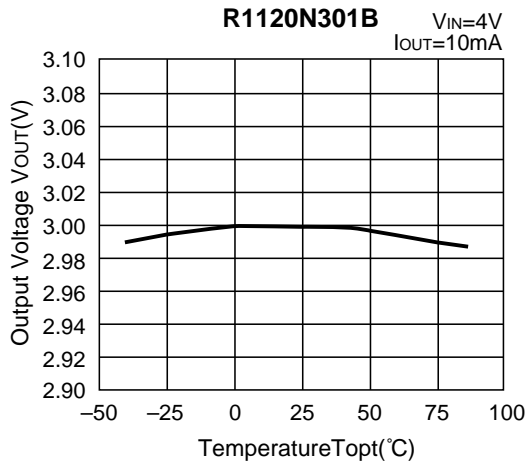




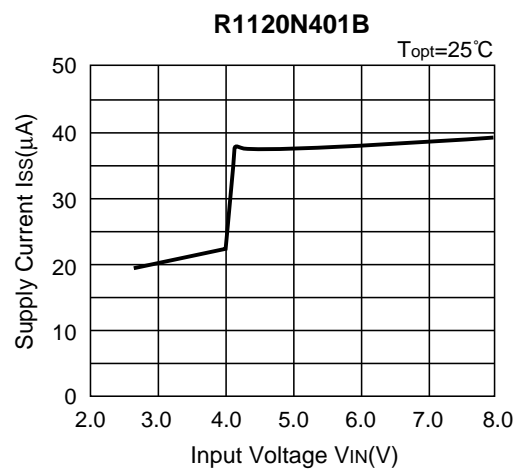
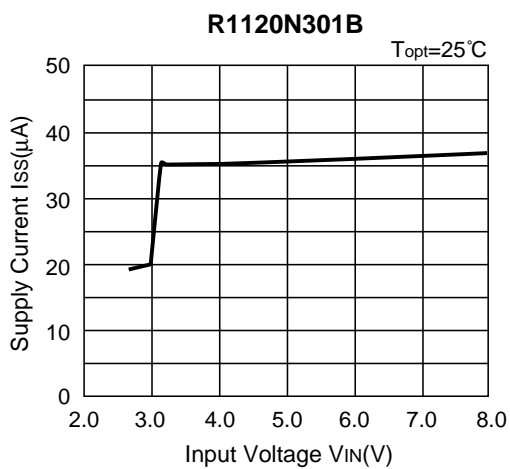
3) Dropout Voltage vs. Output Current

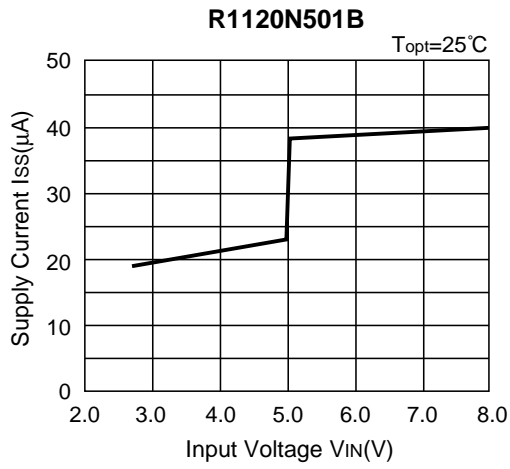


4) Output Voltage vs. Temperature

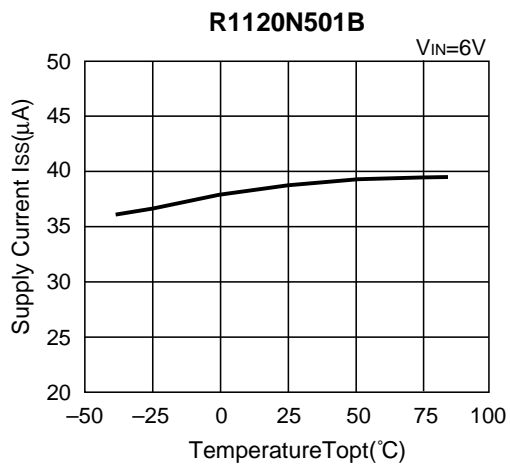
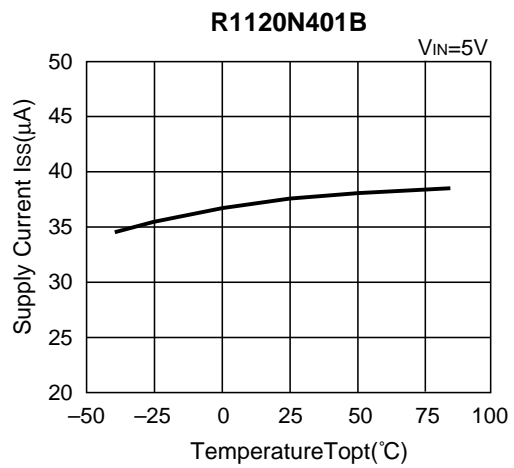
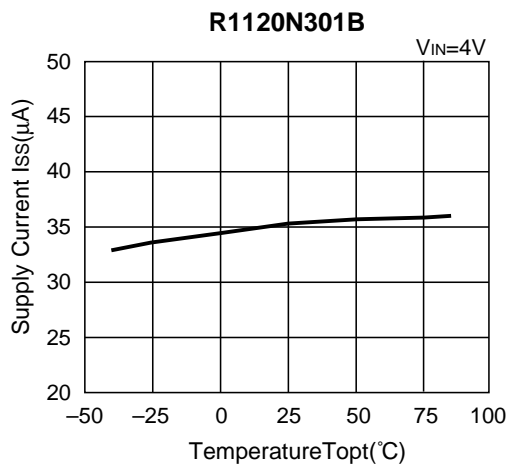


5) Supply Current vs. Input Voltage

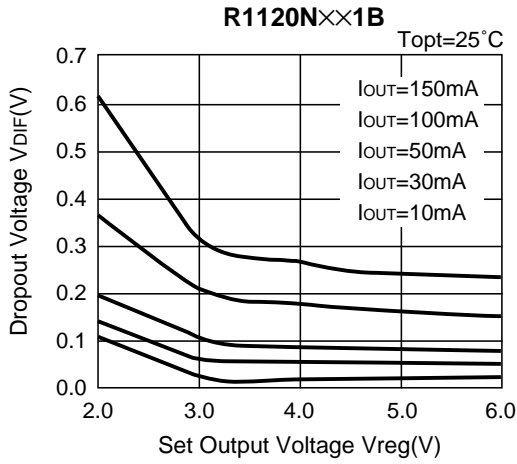




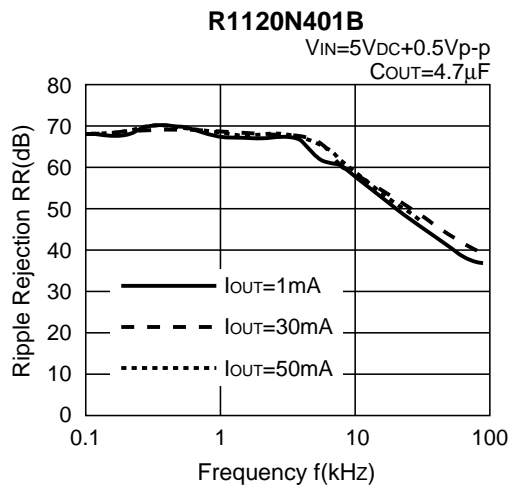
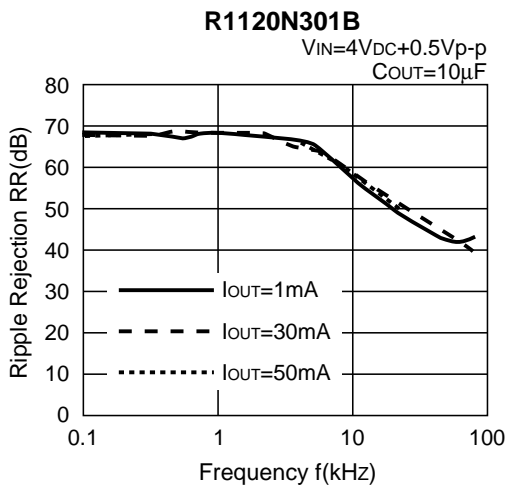
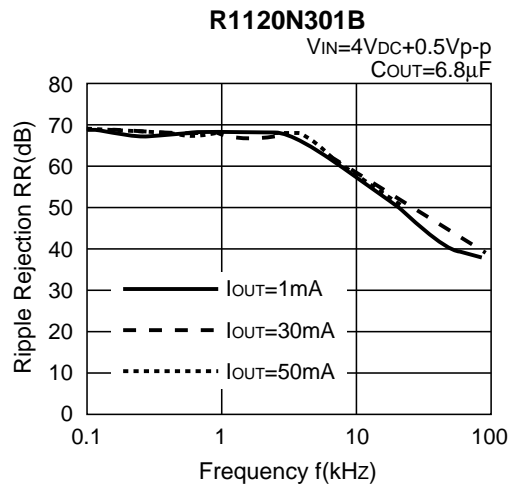
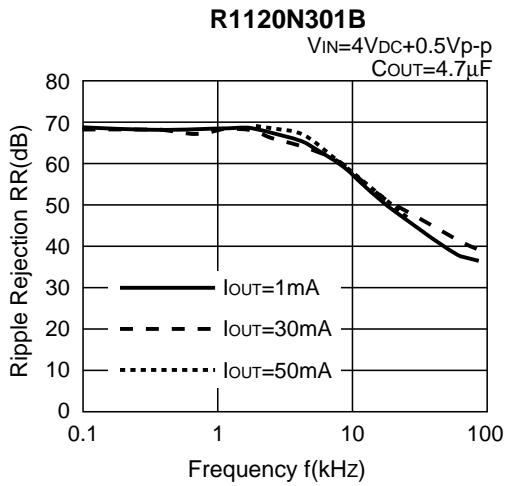
6) Supply Current vs. Temperature



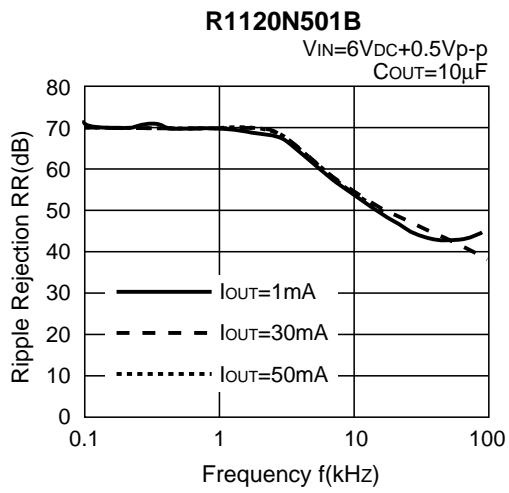
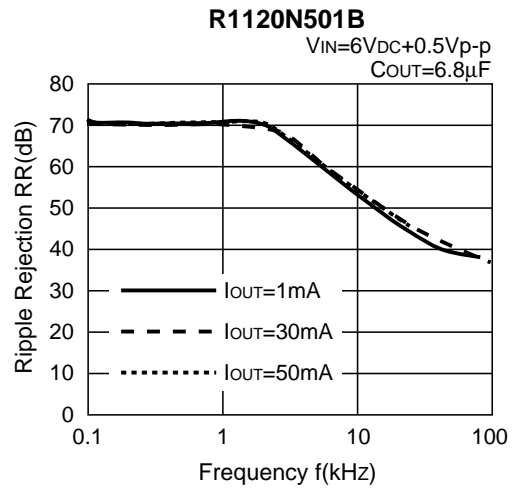
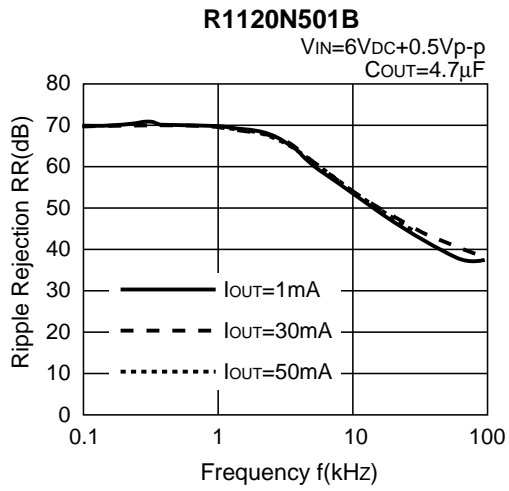
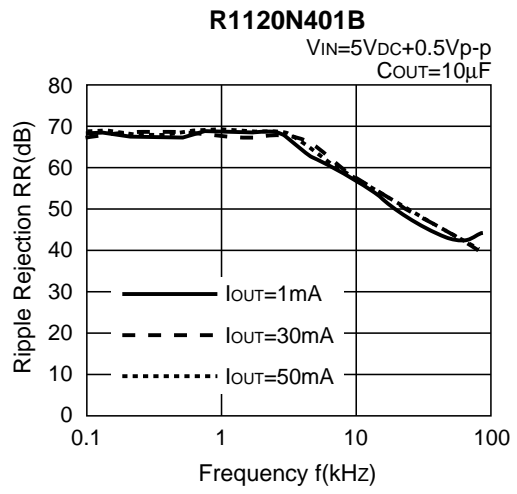
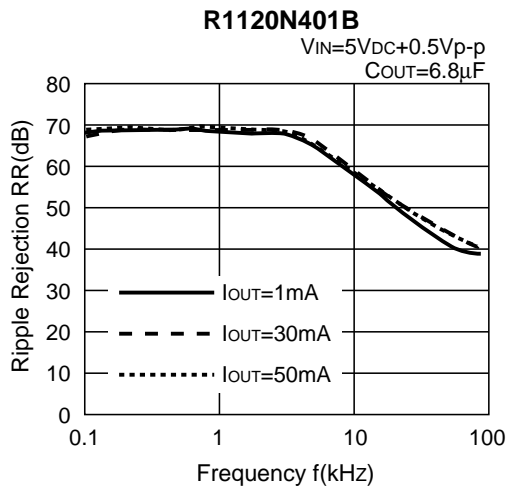
7) Dropout Voltage vs. Set Output Voltage



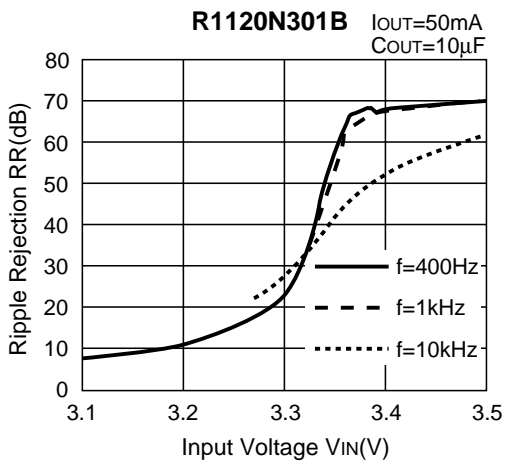
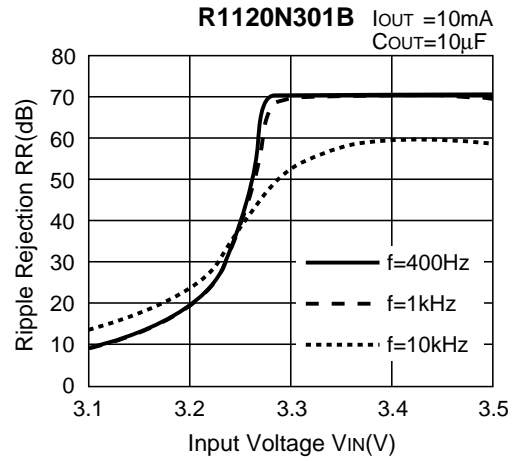
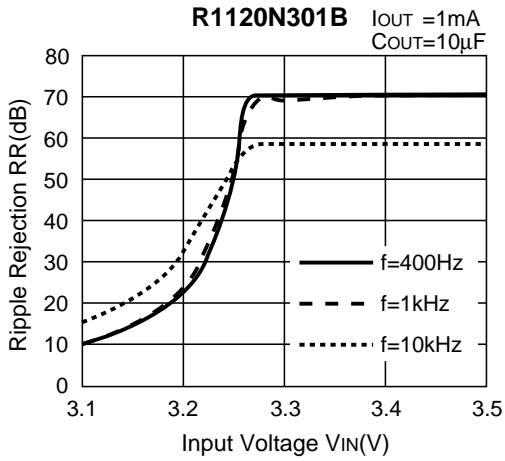
8) Ripple Rejection vs. Frequency



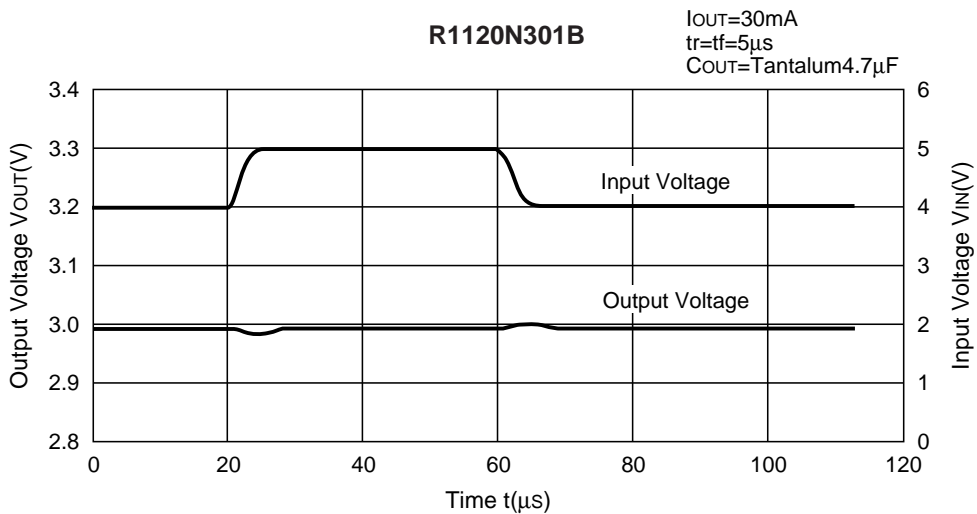


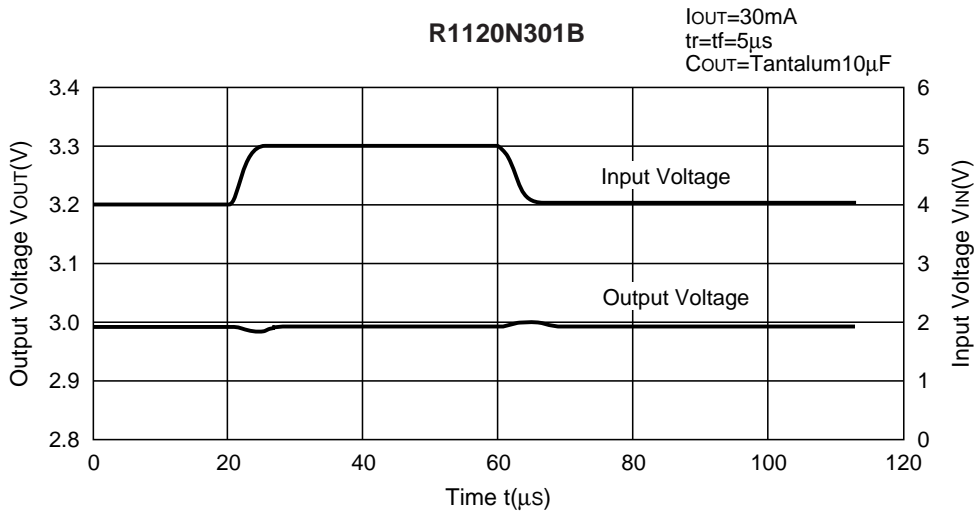
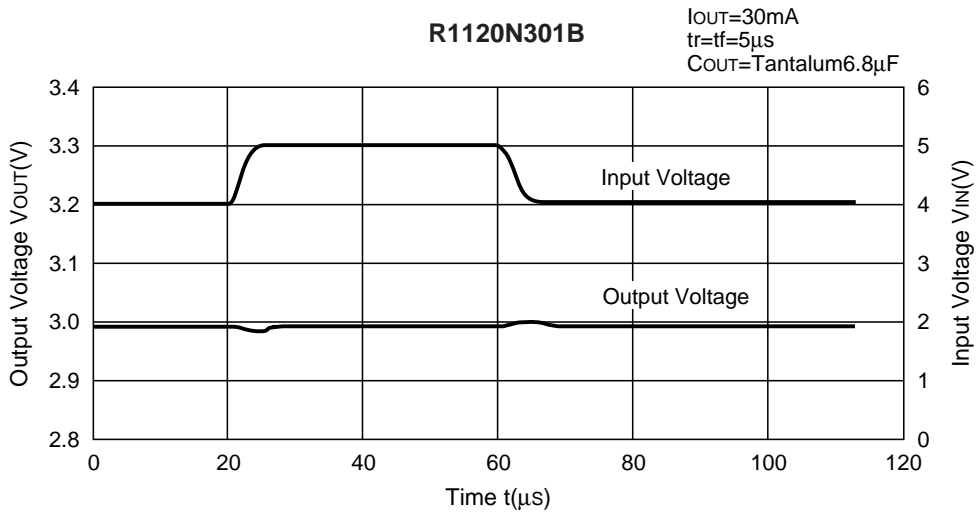


9) Ripple Rejection vs. Input Voltage (DC bias)

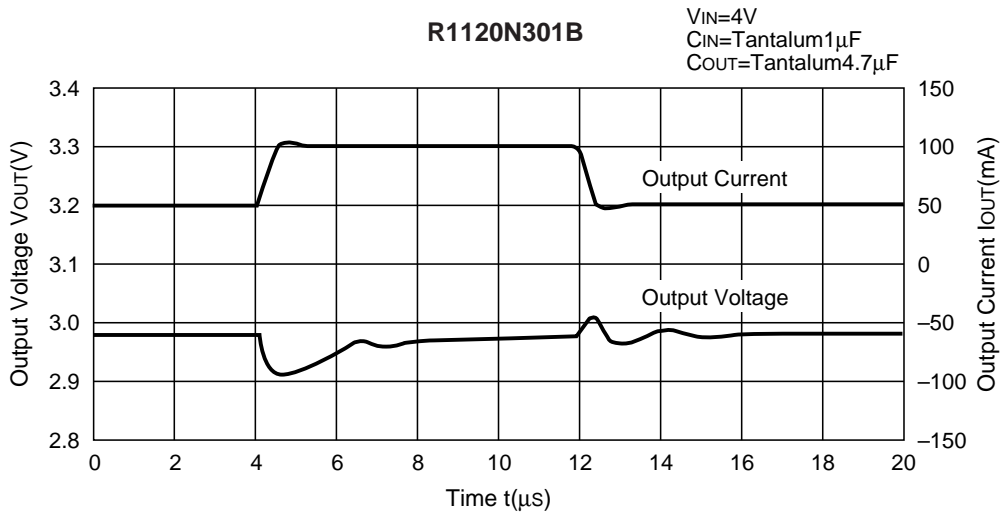


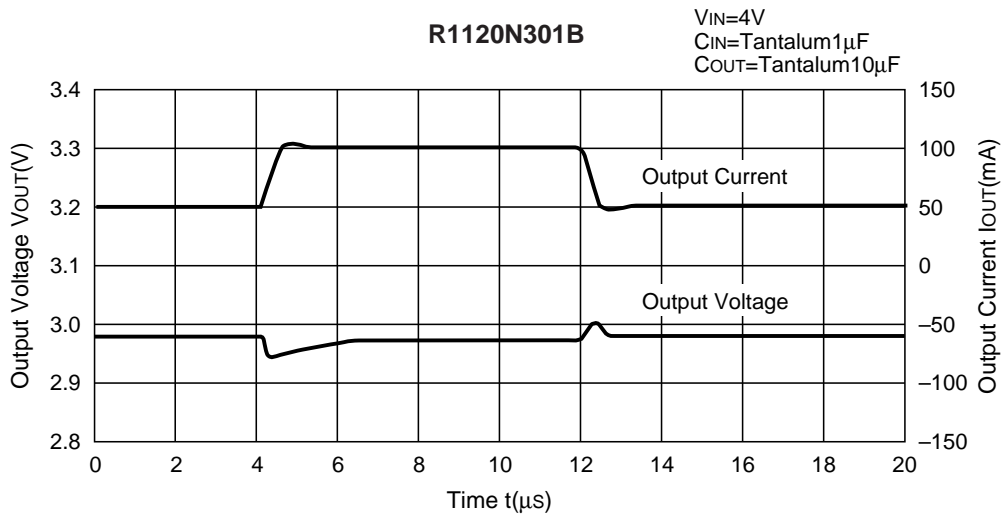
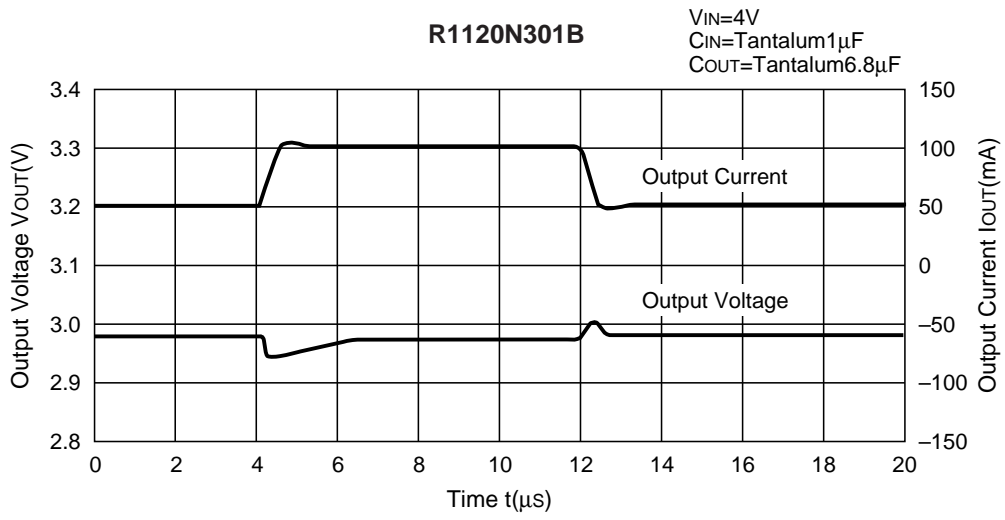
10) Line Transient Response





**11) Load Transient Response**





APPLICATION HINTS

When using these ICs, be sure to take care of following points :

- In these ICs, phase compensation is made for securing stable operation even if the load current is varied. For this purpose, be sure to use a capacitor  $C_{OUT}$  with good frequency characteristics and ESR (Equivalent Series Resistance) of which is in the range described as follows :

The relations between  $I_{OUT}$  (Output Current) and ESR of Output Capacitor are shown below. The conditions when the white noise level is under  $40\mu V$  (Avg.) are marked as the hatched area in the graph. (note : When the additional ceramic capacitors are connected to the Output Pin with Output capacitor for phase compensation, there are possibilities that the operation will be unstable. Because of this, test these ICs with as same external components as ones to be used on the PCB.)

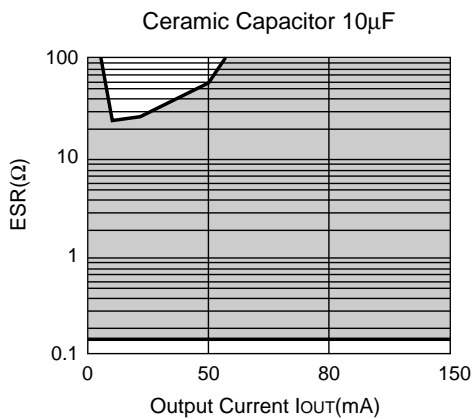
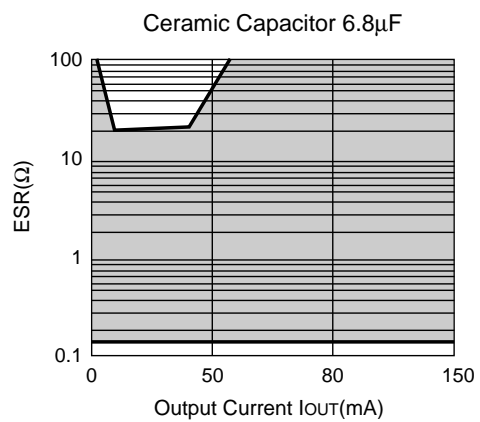
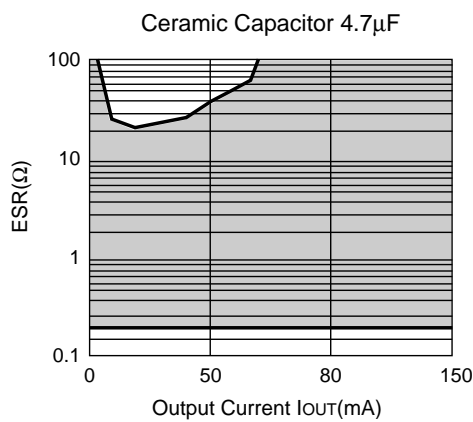
< measuring conditions >

$V_{IN}=4V$

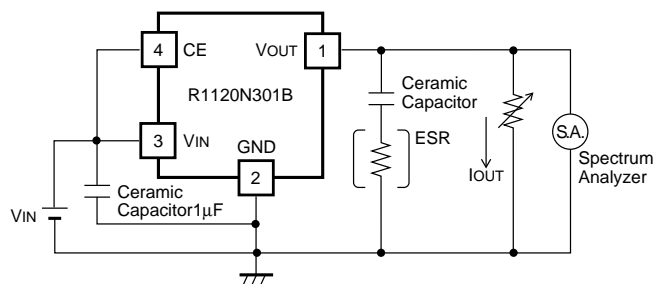
Frequency band : 10Hz to 1MHz

Temperature : 25°C

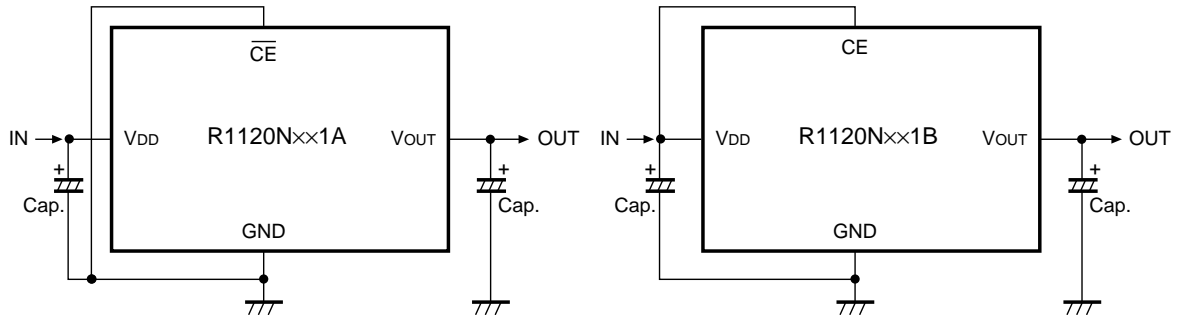
- Make  $V_{DD}$  and GND line sufficient. When the impedance of these is high, there is a case to pick up the noise or not to work correctly.
- Connect the capacitor with a capacitance of  $1\mu F$  or more between  $V_{DD}$  and GND as close as possible.
- Set external components, especially Output Capacitor, as close as possible to the ICs and make wiring shortest.



• Measuring Circuit for white noise ; R1120N301B

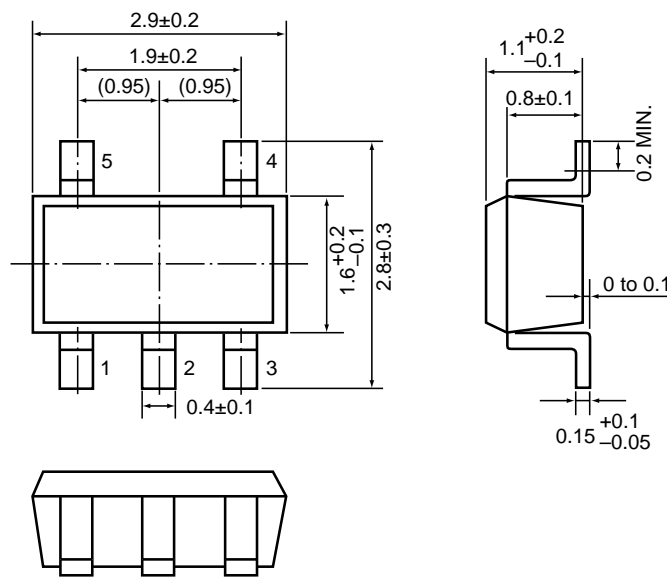


### TYPICAL APPLICATION



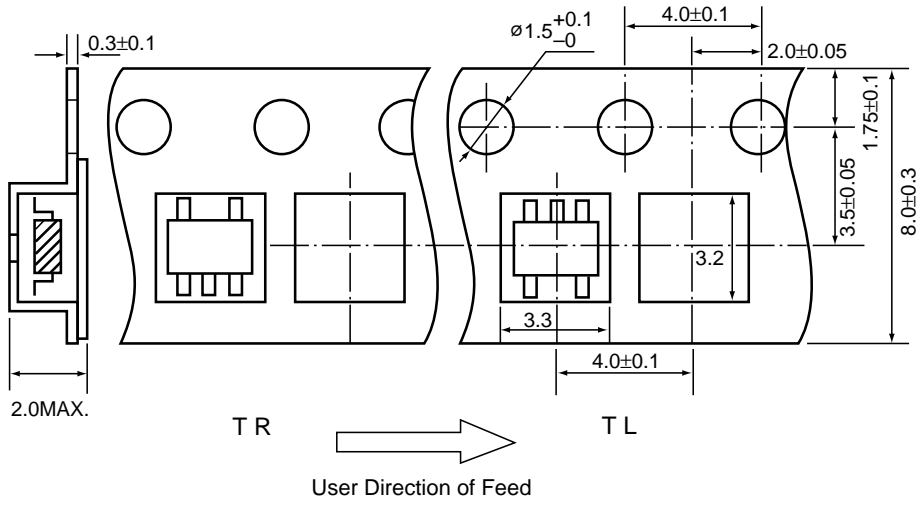
### PACKAGE DIMENSION (Unit : mm)

• SOT-23-5



### TAPING SPECIFICATION (Unit : mm)

- SOT-23-5





---

**RICOH COMPANY, LTD.**  
**ELECTRONIC DEVICES DIVISION**

**HEADQUARTERS**

13-1, Himemuro-cho, Ikeda City, Osaka 563-8501, JAPAN  
Phone 81-727-53-1111 Fax 81-727-53-6011

**YOKOHAMA OFFICE** (International Sales)

3-2-3, Shin-Yokohama, Kohoku-ku, Yokohama City, Kanagawa 222-8530,  
JAPAN  
Phone 81-45-477-1697 Fax 81-45-477-1694 • 1695  
<http://www.ricoh.co.jp/LSI/english/>

**RICOH CORPORATION**  
**ELECTRONIC DEVICES DIVISION**

**SAN JOSE OFFICE**

3001 Orchard Parkway, San Jose, CA 95134-2088, U.S.A.  
Phone 1-408-432-8800 Fax 1-408-432-8375