

9.8V LOW POWER PRECISION REFERENCE SOURCE

ZRT100

ISSUE 1 - OCTOBER 1995

DEVICE DESCRIPTION

The ZRT100 is a monolithic integrated circuit providing a precise stable reference voltage of 9.8V at 500 μ A.

The circuit features a knee current of 150 μ A and operation over a wide range of temperatures and currents.

The ZRT100 is available in a 3-pin metal can package for through hole applications as well as SOT223 and SO8 packages for surface mount applications. Each package option offers a trim facility whereby the output voltage can be adjusted as shown in Fig.1. This facility is used when compensating for system errors or setting the reference output to a particular value. When the trim facility is not used, the pin should be left open circuit.

FEATURES

- Trimmable output
- Excellent temperature stability
- Low output noise figure
- Available in two temperature ranges
- 1 and 2% initial voltage tolerance versions available
- No external stabilising capacitor required in most cases
- Low slope resistance
- TO18 package
- SOT223 and SO8 small outline packages

SCHEMATIC DIAGRAM

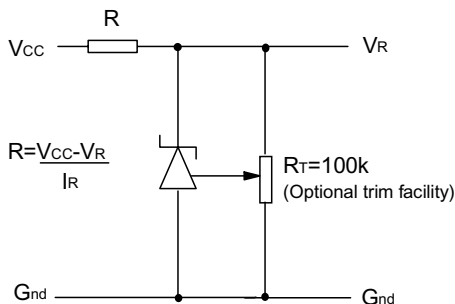


Figure 1:

This circuit will allow the reference to be trimmed over a wide range. The device is specified over a $\pm 5\%$ trim range.

ZRT100

ABSOLUTE MAXIMUM RATING

Reverse Current	30mA ϕ	Power Dissipation ($T_{amb}=25^{\circ}\text{C}$)
Operating Temperature		TO18 300mW
	A grade -55°C to 125°C	SO8 625mW
	C grade 0°C to 70°C	SOT223 2W
Storage Temperature		ϕ Above 25°C this figure should be linearly derated to 6mA at 125°C
	TO18 -55°C to 175°C	
	SO8, SOT223 -55°C to 125°C	

TEMPERATURE DEPENDENT ELECTRICAL CHARACTERISTICS

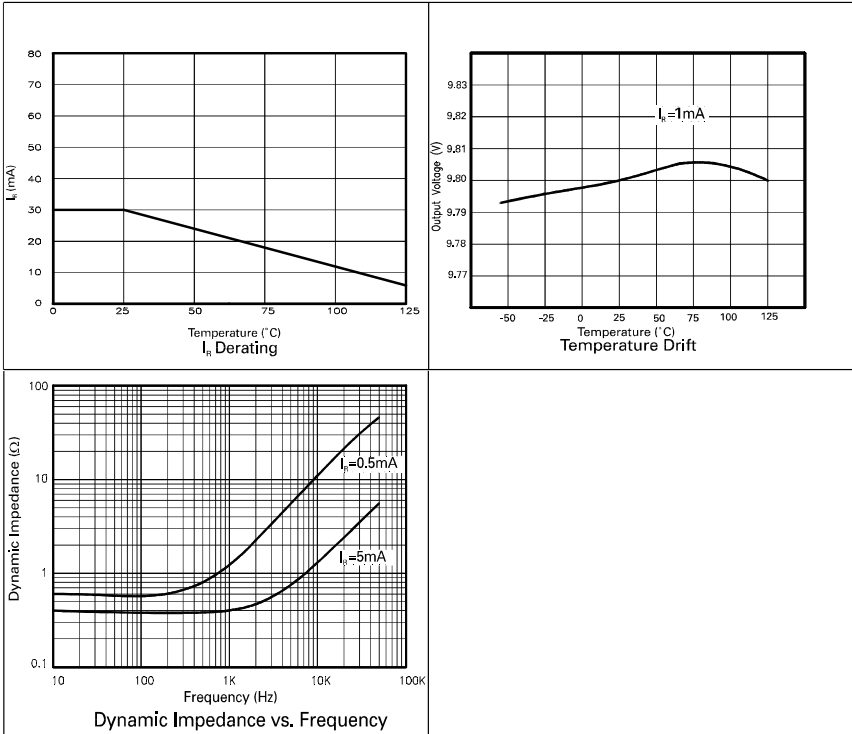
SYMBOL	PARAMETER	INITIAL VOLTAGE TOLERANCE %	GRADE A -55°C TO 125°C		GRADE C 0°C TO 70°C		UNITS
			TYP	MAX	TYP	MAX	
ΔV_R	Output voltage change over relevant temperature range (See note (a))	1 & 2	27.0	90.0	10.8	34.4	mV
$T_C V_R$	Output voltage temperature coefficient (See note (b))	1 & 2	15.0	50.0	15.0	50.0	ppm/°C

ELECTRICAL CHARACTERISTICS

(at $T_{amb}=25^{\circ}\text{C}$ and Trim pin o/c unless otherwise stated)

SYMBOL	PARAMETER	MIN.	TYP.	MAX.	UNITS	COMMENTS
V_R	Output voltage 1% tolerance (A1,C1) 2% tolerance (C2)	9.70 9.60	9.80 9.80	9.90 10.00	V	$I_R=500\mu\text{A}$
ΔV_{TRIM}	Output voltage adjustment range		± 5		%	$R_T=100\text{k}\Omega$
$T_C \Delta V_{TRIM}$	Change in $T_C V_R$ with output adjustment		5.0		ppm/°C/%	
I_R	Operating current range	0.15		30	mA	See note (c)
t_{on} t_{off}	Turn-on time Turn-off time		400 0.3		μs	$R_L=1\text{k}\Omega$
e_{np-p}	Output voltage noise (over the range 0.1 to 10Hz)		50		μV	Peak to peak measurement
R_S	Slope resistance		1.8	4.0	Ω	$I_R = 0.5\text{mA to } 5\text{mA}$ See note (d)

TYPICAL CHARACTERISTICS



NOTES

(a) Output change with temperature (V_R)

The absolute maximum difference between the maximum output voltage and the minimum output voltage over the specified temperature range

$$\Delta V_R = V_{max} - V_{min}$$

(b) Output temperature coefficient ($T_c V_R$)

The ratio of the output change with temperature to the specified temperature range expressed in ppm/°C

$$T_c V_R = \frac{\Delta V_R \times 10^6}{V_R \times \Delta T} \text{ ppm/}^\circ\text{C}$$

ΔT = Full temperature range

(c) Operating current (I_R)

Maximum operating current must be derated as indicated in maximum ratings.

(d) Slope resistance (R_S)

The slope resistance is defined as :

$$R_S = \frac{\text{change in } V_R}{\text{specified current range}}$$

$$\Delta I = 5 - 0.5 = 4.5\text{mA (typically)}$$

(e) Line regulation

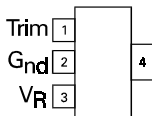
The ratio of change in output voltage to the change in input voltage producing it.

$$\frac{R_S \times 100}{V_R \times R_{source}} \% / V$$

ZRT100

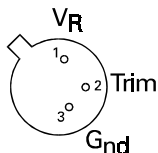
CONNECTION DIAGRAMS

SOT223 Package Suffix – G



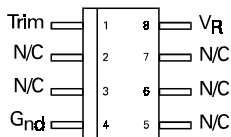
Top View
Pin 4 floating or connected to pin 2

TO18 Package Suffix – None



Bottom View –
Case is internally connected to pin 3

SO8 Package Suffix – N8



Top View

ORDERING INFORMATION

Part No	Tol%	Operating Temp.(°C)	Package	Partmark
ZRT100C2	2	0 to 70	TO18	ZRT100C2
ZRT100C1	1	0 to 70	TO18	ZRT100C1
ZRT100A1	1	-55 to 125	TO18	ZRT100A1
ZRT100GC2	2	0 to 70	SOT223	ZRT100C2
ZRT100GC1	1	0 to 70	SOT223	ZRT100C1
ZRT100GA1	1	-55 to 125	SOT223	ZRT100A1
ZRT100N8C2	2	0 to 70	SO8	ZRT100C2
ZRT100N8C1	1	0 to 70	SO8	ZRT100C1
ZRT100N8A1	1	-55 to 125	SO8	ZRT100A1