



**TECHNICAL DATA
DATA SHEET**

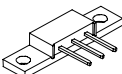
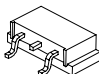
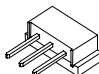
69CNQ135/63CNQ150 SCHOTTKY RECTIFIER

Applications:

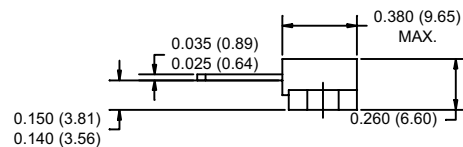
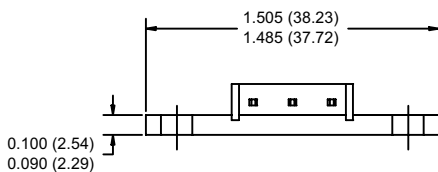
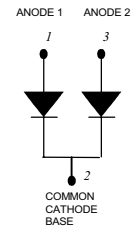
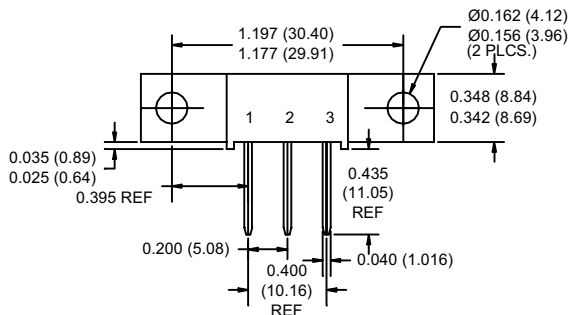
- Switching power supply
- Converters
- Free-Wheeling diodes
- Reverse battery protection

Features:

- 175°C T_J operation
- Center tap module
- Very low forward voltage drop
- High purity, high temperature epoxy encapsulation for enhanced mechanical strength and moisture resistance
- High frequency operation
- Guard ring for enhanced ruggedness and long term reliability
- Low profiles, small footprint, high current package

Case Styles		
69CNQ...	69CNQ...SL	69CNQ...SM
		
D-61-6	D61-8	D61-8-SM

Mechanical Dimensions: In Inches / mm



PRM3 (D-61-6)

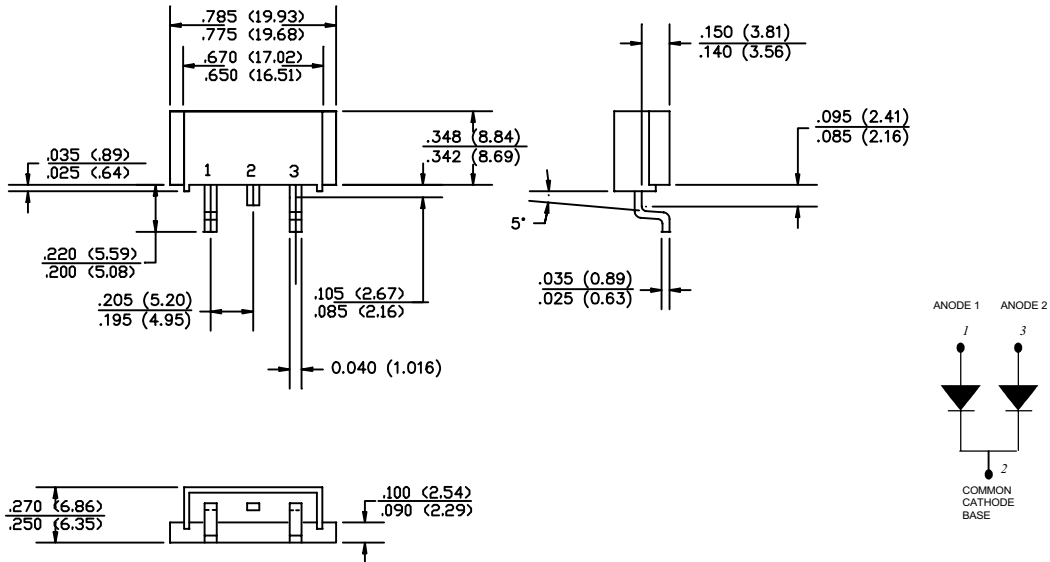


SENSITRON

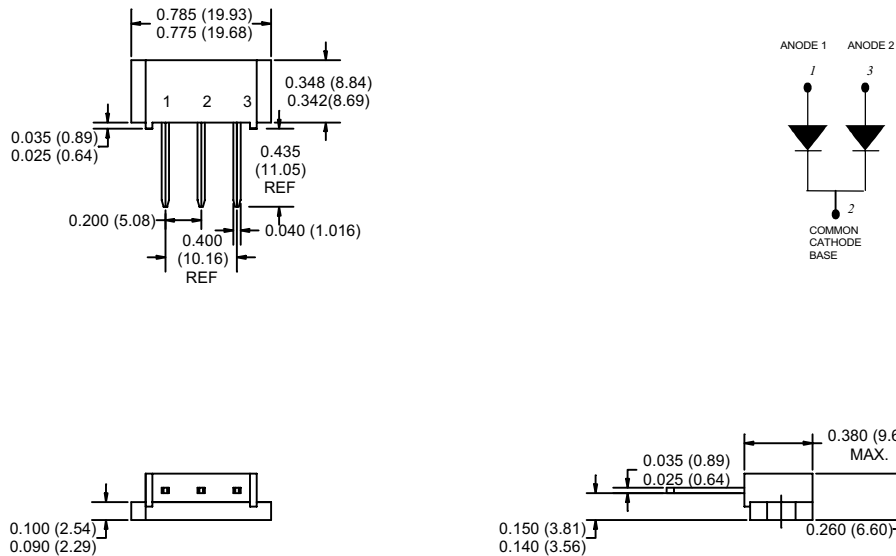
SEMICONDUCTOR

69CNQ135

69CNQ150



PRM3-SL (D-61-6-SL)



PRM3-SM (D-61-6-SM)

**Maximum Ratings:**

Characteristics	Symbol	Condition	Max.	Units
Peak Inverse Voltage	V_{RWM}	-	135	(69CNQ135)
			150	(69CNQ150)
Max. Average Forward Current	$I_{F(AV)}$	50% duty cycle @ $T_C = 155^\circ\text{C}$, rectangular wave form	60	A
Max. Peak One Cycle Non-Repetitive Surge Current (per leg)	I_{FSM}	8.3 ms, half Sine pulse	708	A

Electrical Characteristics:

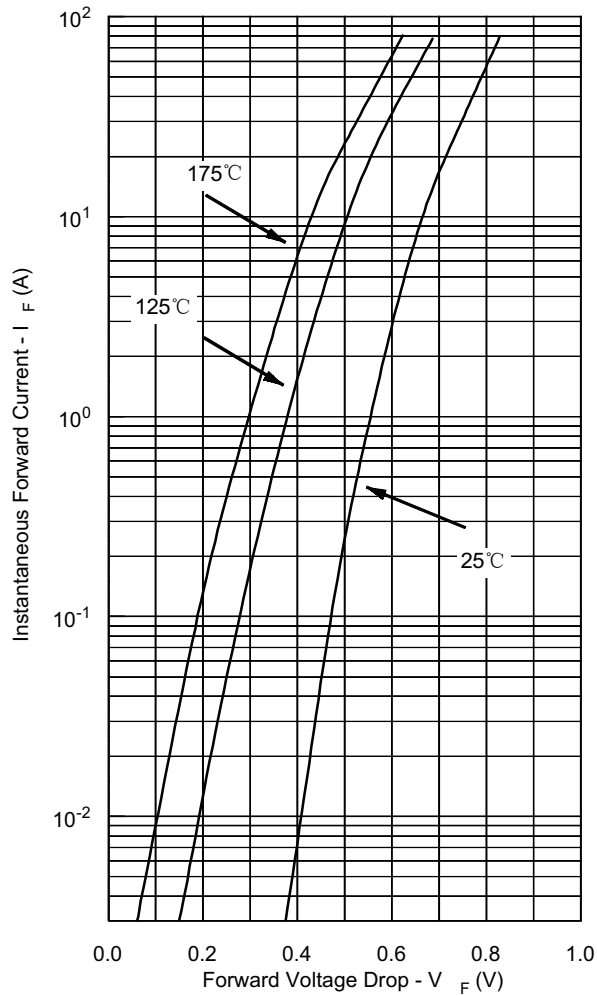
Characteristics	Symbol	Condition	Max.	Units
Max. Forward Voltage Drop (per leg)*	V_{F1}	@ 30 A, Pulse, $T_J = 25^\circ\text{C}$	0.87	V
		@ 30 A, Pulse, $T_J = 125^\circ\text{C}$	0.67	V
Max. Reverse Current (per leg)*	I_{R1}	@ $V_R = \text{rated } V_R$ $T_J = 25^\circ\text{C}$	1.5	mA
		@ $V_R = \text{rated } V_R$ $T_J = 125^\circ\text{C}$	21	mA
Max. Junction Capacitance (per leg)	C_T	@ $V_R = 5\text{V}$, $T_C = 25^\circ\text{C}$ $f_{SIG} = 1\text{MHz}$	1300	pF
Typical Series Inductance (per leg)	L_S	Measured lead to lead 5 mm from package body	6.0	nH
Max. Voltage Rate of Change	dv/dt	-	10,000	V/ μs

* Pulse Width < 300 μs , Duty Cycle <2%**Thermal-Mechanical Specifications:**

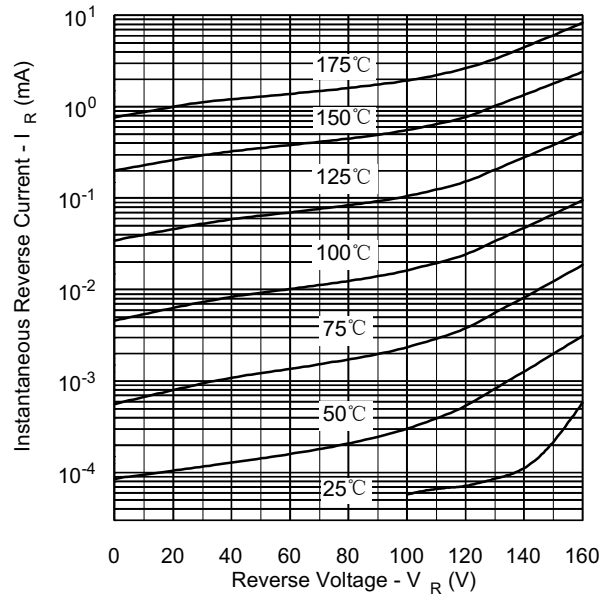
Characteristics	Symbol	Condition	Specification	Units
Max. Junction Temperature	T_J	-	-55 to +175	$^\circ\text{C}$
Max. Storage Temperature	T_{stg}	-	-55 to +175	$^\circ\text{C}$
Maximum Thermal Resistance Junction to Case	$R_{\theta JC}$	DC operation	0.85(per leg)	$^\circ\text{C/W}$
			0.42(per package)	
Maximum Thermal Resistance, Case to Heat Sink	$R_{\theta CS}$	Mounting surface, smooth and greased	0.30	$^\circ\text{C/W}$
Approximate Weight	wt	-	7.8	g
Mounting Torque	T_M	-	40(min) 58(max)	Kg-cm
Case Style	PRM3 PRM3-SL PRM3-SM			



Typical Forward Characteristics



Typical Reverse Characteristics



Typical Junction Capacitance

