

3. Voltage Regulators

XC62RP Series

Positive Voltage Regulators for Voltage Reference Source

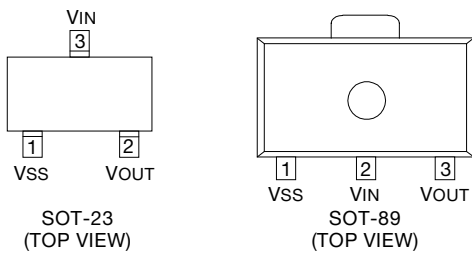
General Description

The XC62RP series are highly precise, low power consumption, positive voltage regulators for voltage reference source, manufactured using CMOS and laser trimming technologies. SOT-23 (150mW) and SOT-89 (500mW) packages are available.

Features

- Maximum Output Current:** 6.0mA
(within Maximum power dissipation, $V_{out}=2.0V$)
- Output Voltage Range:** 1.5V to 3.5V in 0.1V increments
- Highly Accurate:** Setup voltage $\pm 2\%$
($\pm 1\%$ for semi-custom products)
- Low power consumption:** TYP $3.2\mu A$ [$V_{out}=2.0$]
- Output voltage temperature characteristics:** TYP $\pm 100ppm/^{\circ}C$
- Line regulation:** TYP $0.2\%/V$
- Ultra small package:** SOT-23 (150mW) mini-mold
SOT-89 (500mW) mini power mold

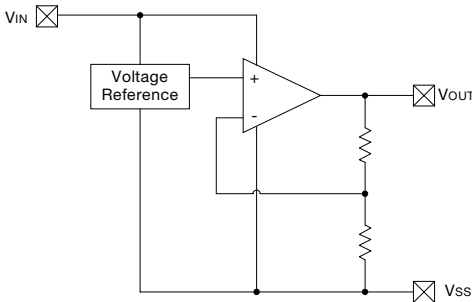
Pin Configuration



Pin Assignment

PIN NUMBER		PIN NAME	FUNCTION
SOT-23	SOT-89		
1	1	VSS	Ground
3	2	VIN	Supply Voltage Input
2	3	VOUT	Output

Block Diagram



Ordering Information

XC62RP_ax_bx_cx_dx_ex_f
 $\uparrow \uparrow \uparrow \uparrow \uparrow \uparrow$
 a b c d e f

DESIGNATOR	DESCRIPTION	DESIGNATOR	DESCRIPTION
a	Polarity of Output Voltage : P : + (Positive)	e	Package Type M = SOT-23 P = SOT-89
b	Output Voltage : 15 = 1.5V 30 = 3.0V		
c	Temperature Coefficients : 0 = $\pm 100ppm$ (typical)	f	Device Orientation : R = Embossed Tape (Right) L = Embossed Tape (Left)
d	Output Voltage Accuracy : 1 = $\pm 1.0\%$ (Semi-Custom) 2 = $\pm 2.0\%$		