

XC62FP Series Positive Voltage Regulators

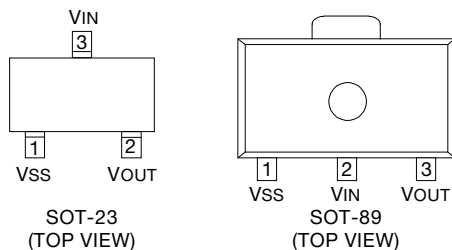
General Description

The XC62FP series is a group of positive voltage output, three-pin regulators, that provide a high current even when the input/output voltage differential is small. Low power consumption and high accuracy is achieved through CMOS and laser trimming technologies. The XC62FP consists of a high-precision voltage reference, an error correction circuit, and a current limited output driver. Transient response to load variations have improved in comparison to the existing series. SOT-23 (150mW) and SOT-89 (500mW) packages are available.

Features

- Max. output current:** 250mA
(within max. power dissipation, $V_{OUT} = 5.0V$)
- Output voltage:** 2.0V to 6.0V in 0.1V increments
(1.1V to 1.9V for custom products)
- Highly accurate:** Output voltage $\pm 2\%$
($\pm 1\%$ for semi-custom products)
- Low power consumption:** Typ. $2.0\mu A$ at $V_{OUT} = 5.0V$
- Output voltage temperature coefficient:** 0.1% /V: Typ. $\pm 100ppm/^{\circ}C$
- Line regulation:** Typ. 0.2% /V
- Dropout voltage:**
120mV @ 100mA (5.0V)
- Ultra small package:** SOT-23 (150mW) mini-mold and SOT-89 (500mW) mini-power mold
*TO-92 (300mW) package also available. (order basis)

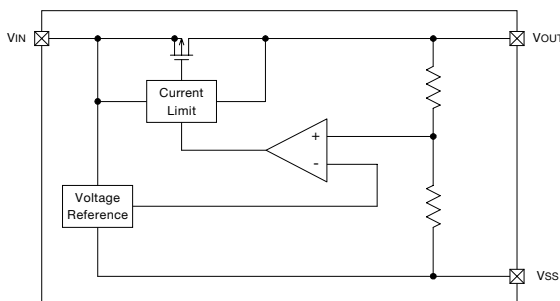
Pin Configuration



Pin Assignment

PIN NUMBER		PIN NAME	FUNCTION
SOT-23	SOT-89		
1	1	VSS	Ground
3	2	VIN	Supply voltage input
2	3	VOUT	Regulated voltage output

Block Diagram



Ordering Information

XC62FP_ax_bx_cx_dx_ex_f
 ↑ ↑ ↑ ↑ ↑ ↑
 a b c d e f

DESIGNATOR	DESCRIPTION	DESIGNATOR	DESCRIPTION
a	Polarity of Output Voltage : P : + (Positive)	e	Package Type M = SOT-23 P = SOT-89 T = TO-92
b	Output Voltage : 30 = 3.0V 50 = 5.0V		
c	Temperature Coefficients : 0 = $\pm 100ppm$ (typical)	f	Device Orientation : R = Embossed Tape (Right) L = Embossed Tape (Left) H = Paper Tape (TO-92) B = Bag (TO-92)
d	Output Voltage Accuracy : 1 = $\pm 1.0\%$ (Semi-Custom) 2 = $\pm 2.0\%$		