



Available in:
 ✓ Production Quantities
 ✓ Custom Configurations

Compact Diode Laser Point/Line Projectors

56 DIB and 56 DIL point/line projectors from Melles Griot feature rugged construction at an economical price. They are ideal for a wide variety of industrial and OEM applications.

SPECIFICATIONS: COMPACT DIODE-LASER POINT/LINE PROJECTORS

Optical:

Power Stability: 0.2%/°C

Boresight: < 2 mrad

Power Requirements:

Power Requirements: -4 to -6 Vdc

Input Current: 60–100 mA (diode dependent)

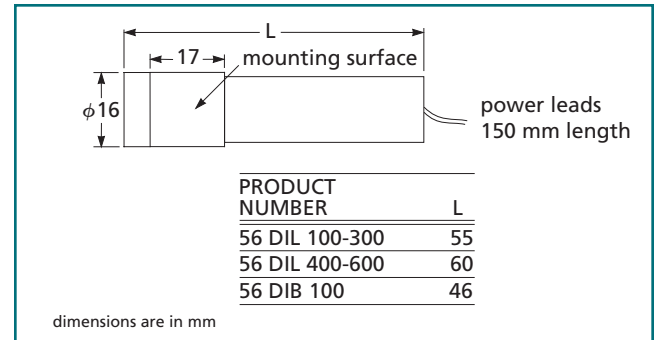
Temperature:

Operating Temperature: 10 to 40°C

Storage Temperature: -10 to 60°C

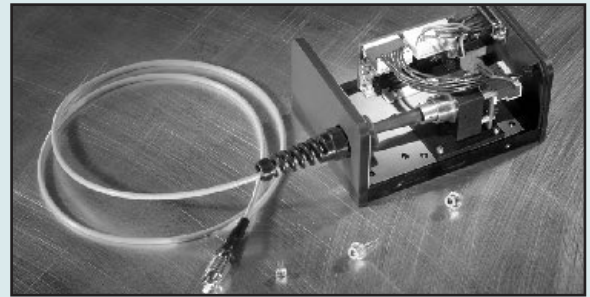
NOTE

Melles Griot 56 DIB, DIL, and PNL series lasers are designed for incorporation into higher level systems. They, therefore do not comply with CDRH and IEC requirements for stand-alone laser systems. It is the responsibility of the end-user to ensure compliance with local safety regulations.



56 DIB/DIL compact diode laser point/line projectors

OEM LASERS



Melles Griot manufactures custom OEM lasers and integrated beam delivery systems to meet our customers needs for fast and easy system assembly and in-field service.

Compact Diode Laser Point/Line Projectors

Wavelength (nm)	Power (mW)	Beam Shape	Beam Size (mm)	Divergence (mrad)	Projected Fan Angle (degrees, full)	PRODUCT NUMBER
635	3	Point	3 × 1	0.4 × 1.2	N.A.	56 DIB 142 /P1
635	7	Point	3 × 1	0.4 × 1.2	N.A.	56 DIB 172 /P1
635	6	Line	N.A.	N.A.	60	56 DIL 572/P1
650	3	Point	3 × 1	0.4 × 1.2	N.A.	56 DIB 132 /P1
650	20	Point	3 × 1	0.4 × 1.2	N.A.	56 DIB 153 /P1
650	20	Line	1	N.A.	60	56 DIL 553 /P1

Note: Melles Griot offers 5-Vdc power supplies for diode laser modules. Please contact an applications engineer for pricing and availability.