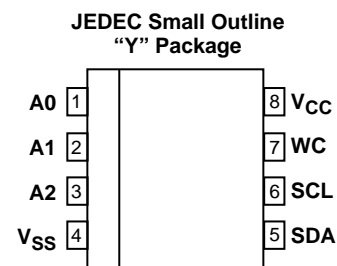
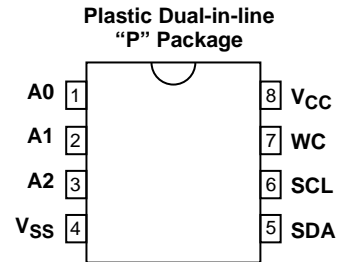


16,384-Bit Serial Electrically Erasable PROM
1.8 to 5.5 Volt Operation

FEATURES

- **Low Power CMOS**
 - Active current less than 3mA
 - Standby current less than 5µA
- **Hardware Write Protection**
 - Write Control pin
- **Industry's lowest power 16K E²PROM**
- **1.8 to 5.5V Operation**
- **High reliability**
 - All commercial devices tested to industrial temp range (-40°C to +85°C)
- **True Philips licensed I²C interface**
- **Internally Organized 2,048 X 8**
- **Two Wire Serial Interface (I²C™)**
 - Bidirectional data transfer protocol
 - Standard 100KHz and Fast 400KHz
- **Sixteen-Byte Page-Write Mode**
 - Minimizes total write time per byte
- **Automatic Word Address Incrementing**
 - Sequential register read
- **Self-Timed Write Cycle**
- **High Reliability**
 - Endurance: 100,000 erase/write cycles
 - Data retention: 100 years
- **8-Pin PDIP or SOIC Packages**

PIN CONFIGURATIONS



D0017 ILL A01.2

PIN NAMES

A0, A1, A2	Unused Address Inputs
SDA	Serial Data I/O
SCL	Serial Clock Input
WC	Write Control Input
VSS	Ground
VCC	Supply Voltage

OVERVIEW

The XL24C16 is a cost-effective, 16,384-bit serial E²PROM. It is fabricated using EXEL's advanced CMOS E²PROM technology. This part operates from a single power supply over the range of 1.8 to 5.5 volts.

The XL24C16 is internally organized as 2,048 x 8. It features the I²C™ serial interface and software protocol allowing operation on a simple two-wire bus.

PIN DESCRIPTIONS

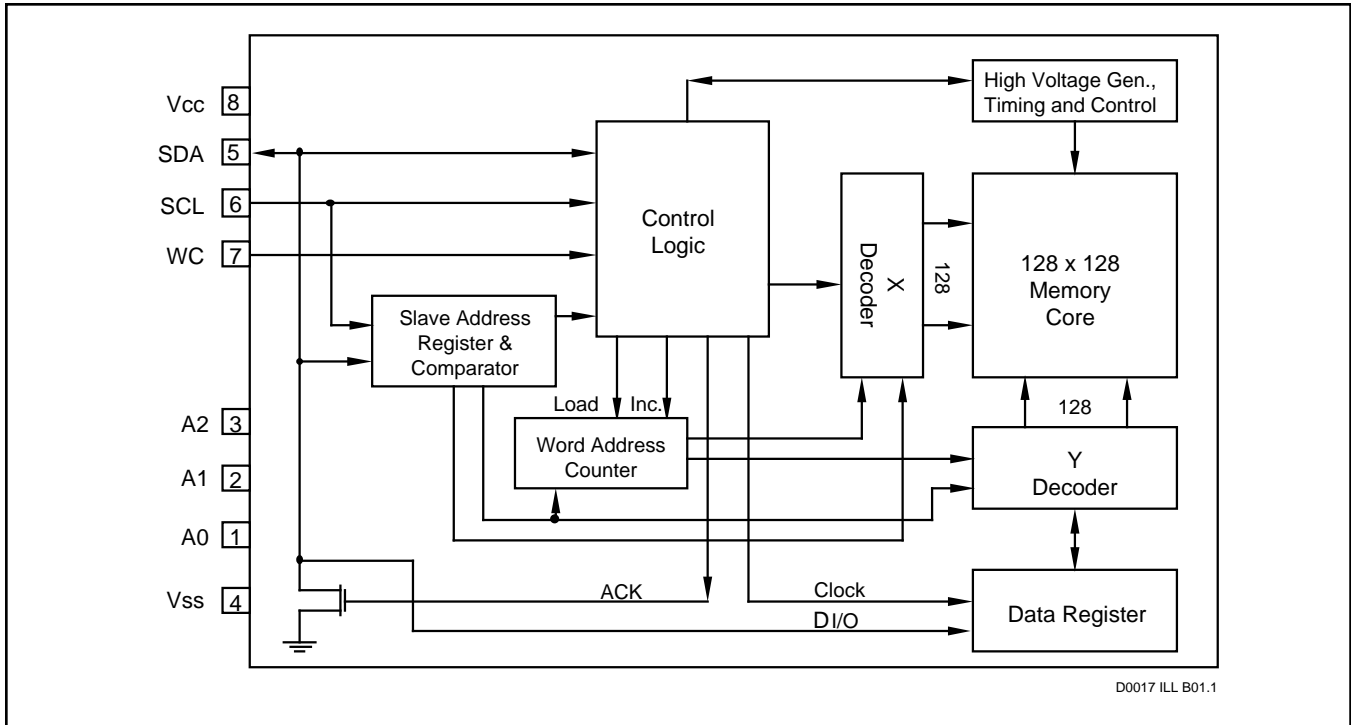
Serial Clock (SCL) - The SCL input is used to clock data into and out of the device. In the WRITE mode, data must remain stable while SCL is HIGH. In the READ mode, data is clocked out on the falling edge of SCL.

Serial Data (SDA) - The SDA pin is a bidirectional pin used to transfer data into and out of the device. Data may change only when SCL is LOW, except START and STOP conditions. It is an open-drain output and may be wire-ORed with any number of open-drain or open-collector outputs.

Address Inputs (A0, A1, A2) - The A0, A1, A2 inputs are unused by the XL24C16; however, to insure proper operation they can be unconnected or tied to ground. They must not be tied to V_{CC}.

Write Control (WC) - The Write Control input pin is used to disable the write circuitry to the memory. This input must be tied HIGH, LOW, or left unconnected. When HIGH, the write function is disabled, protecting previously written data; when LOW or unconnected, the write function is enabled.

BLOCK DIAGRAM



ENDURANCE AND DATA RETENTION

The XL24C16 is designed for applications requiring up to 100,000 erase/write cycles and unlimited read cycles. It provides 100 years of secure data retention, with or without power applied, after the execution of 100,000 erase/write cycles.

APPLICATIONS

The XL24C16 is ideal for applications requiring low voltage and low power consumption. This device uses a cost effective, space-saving, 8-pin plastic package, SOIC and PDIP. Typical applications include alarm devices, electronic locks, meters, keys, pagers and cellular phones.

CHARACTERISTICS OF THE I²C BUS

General Description

The I²C bus was designed for two-way, two-line serial communication between different integrated circuits. The two lines are: a serial data line (SDA), and a serial clock line (SCL). The SDA line must be connected to a positive supply by a pull-up resistor, located somewhere on the bus (See Figure 1). Data transfer between devices may be initiated with a START condition only when SCL and SDA are HIGH (bus is not busy).

Input Data Protocol

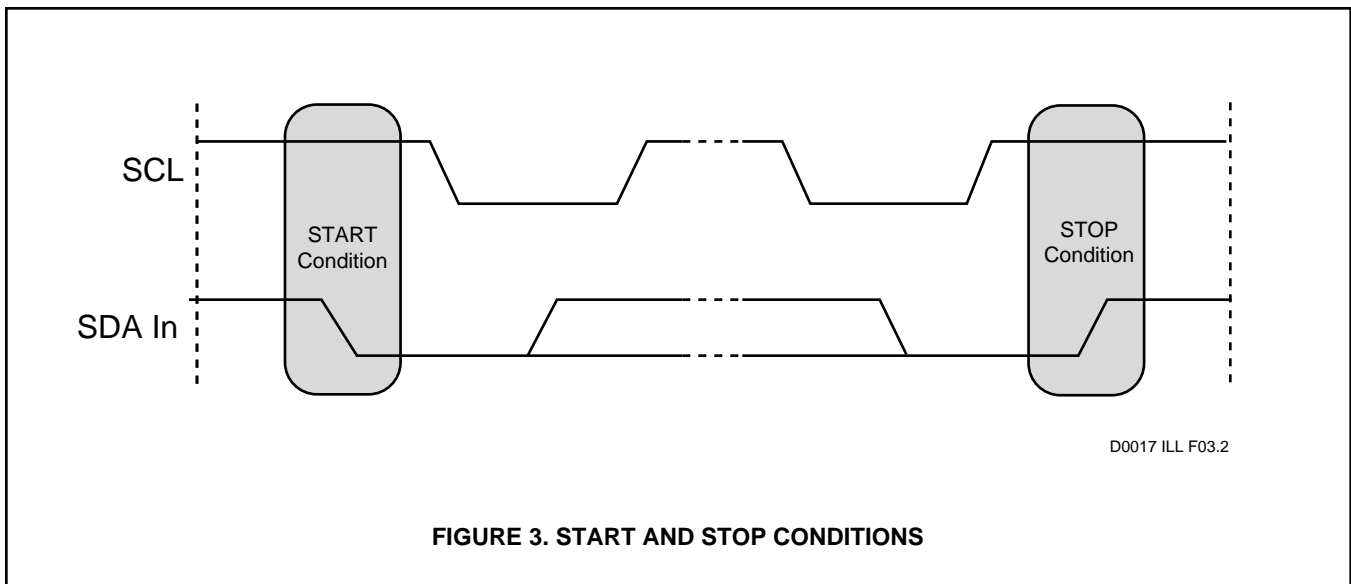
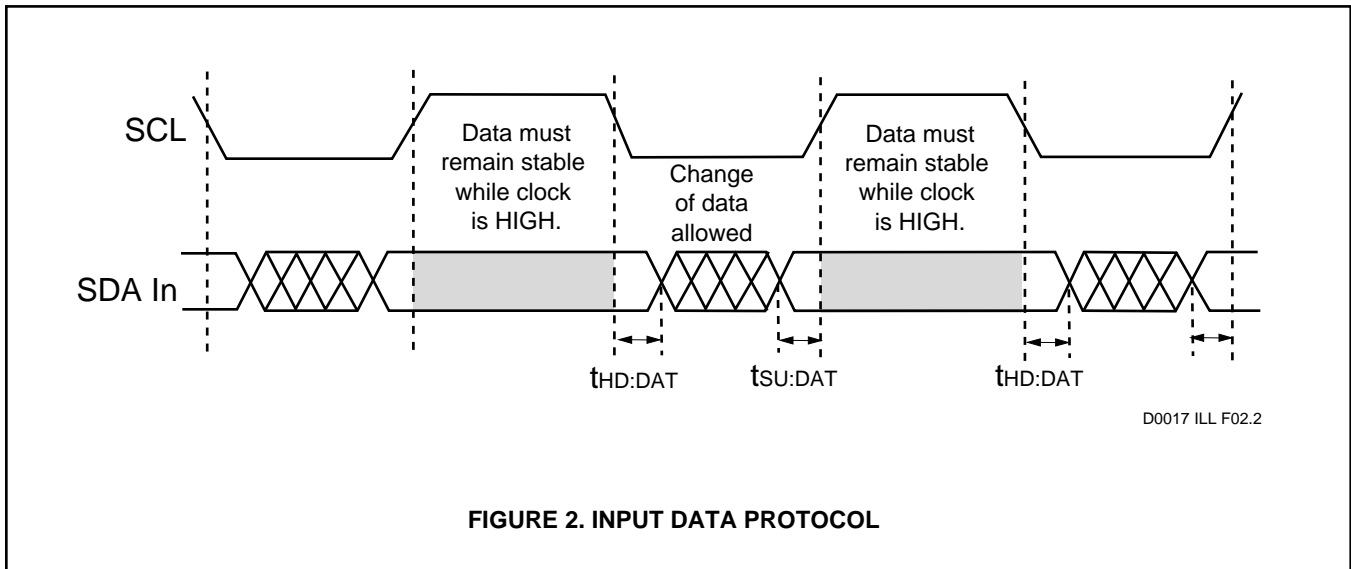
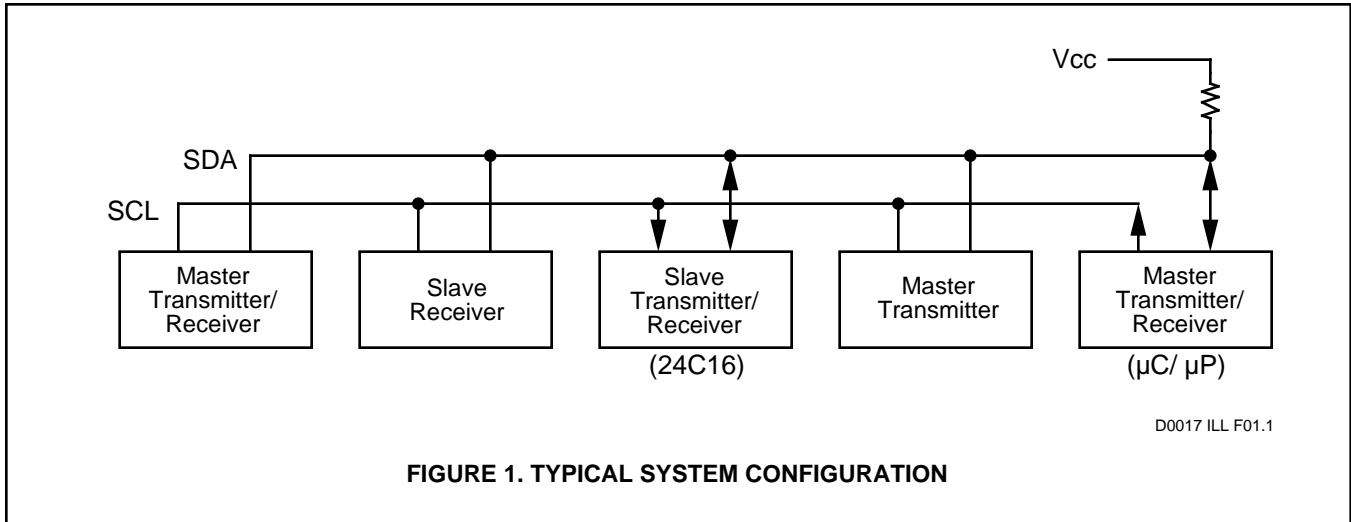
One data bit is transferred during each clock pulse. The data on the SDA line must remain stable during clock HIGH time, because changes on the data line while SCL is HIGH will be interpreted as start or stop condition (See Figure 2).

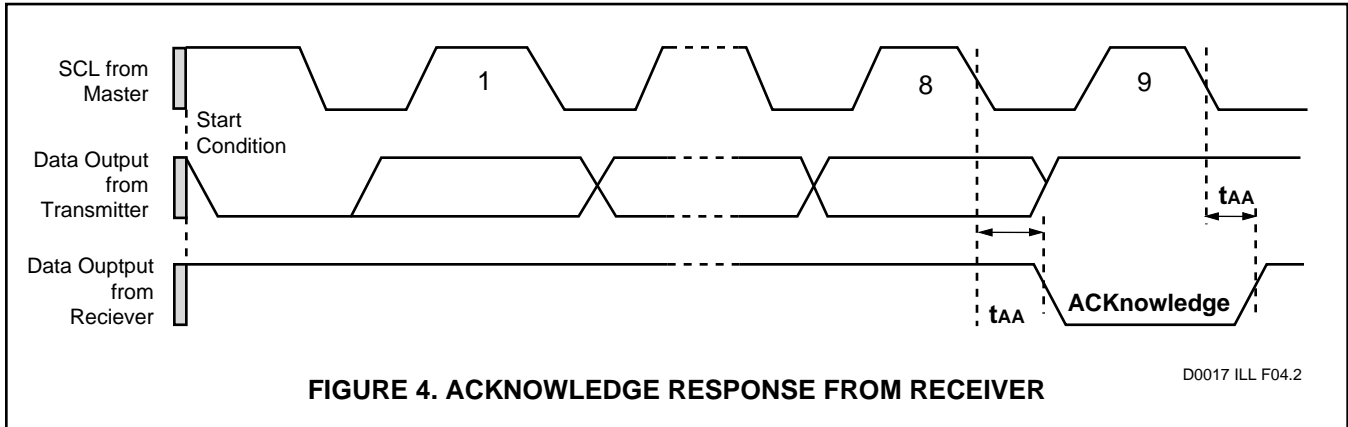
START and STOP Conditions

When both the data and clock lines are HIGH, the bus is said to be not busy. A HIGH-to-LOW transition on the data line, while the clock is HIGH, is defined as the "START" condition. A LOW-to-HIGH transition on the data line, while the clock is HIGH, is defined as the "STOP" condition (See Figure 3).

DEVICE OPERATION

The XL24C16 is a 16,384-bit serial E²PROM. The device supports the I²C bidirectional data transmission protocol. The protocol defines any device that sends data onto the bus as a "transmitter" and any device which receives data as a "receiver." The device controlling data transmission is called the "master" and the controlled device is called the "slave." In all cases, the XL24C16 will be a "slave" device, since it never initiates any data transfers.





Acknowledge (ACK)

Acknowledge is a software convention used to indicate successful data transfers. The transmitting device, either the master or the slave, will release the bus after transmitting eight bits. During the ninth clock cycle, the receiver will pull the SDA line LOW to ACKnowledge that it received the eight bits of data (See Figure 4).

The XL24C16 will respond with an ACKnowledge after recognition of a START condition and its slave address byte. If both the device and a write operation are selected, the XL24C16 will respond with an ACKnowledge after the receipt of each subsequent 8-bit word.

In the READ mode, the XL24C16 transmits eight bits of data, then releases the SDA line, and monitors the line for an ACKnowledge signal. If an ACKnowledge is detected, and no STOP condition is generated by the master, the XL24C16 will continue to transmit data. If an ACKnowledge is not detected, the XL24C16 will terminate further data transmissions and awaits a STOP condition before returning to the standby power mode.

Device Addressing

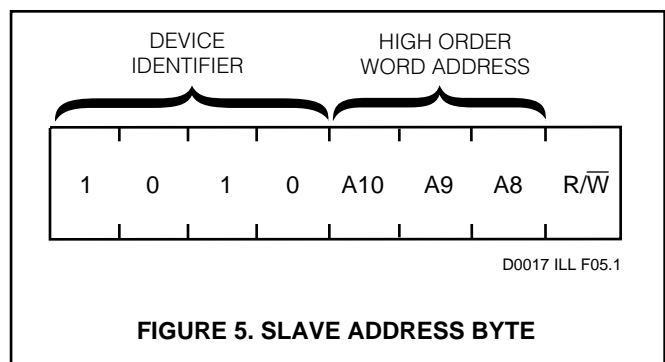
Following a start condition the master must output the address of the slave it is accessing. The most significant four bits of the slave address are the device type identifier (see figure 5). For the XL24C16 this is fixed as 1010[B].

Word Address

The next three bits of the slave address are an extension of the array's address and are concatenated with the eight bits of address in the word address field, providing direct access to the 2,048 X 8 array.

Read/Write Bit

The last bit of the data stream defines the operation to be performed. When set to "1," a read operation is selected; when set to "0," a write operation is selected.



WRITE OPERATIONS

The XL24C16 allows two types of write operations: byte write and page write. The byte write operation writes a single byte during the nonvolatile write period (t_{WR}). The page write operation allows up to full 16-byte in the same page to be written during t_{WR} .

Byte WRITE

After the slave address is sent (to identify the slave device, specify high order word address and a read or write operation), a second byte is transmitted which contains the low 8 bit addresses of any one of the 2,048 words in the array.

Upon receipt of the word address, the XL24C16 responds with an ACKnowledge. After receiving the next byte of data, it again responds with an ACKnowledge. The master then terminates the transfer by generating a STOP condition, at which time the XL24C16 begins the internal write cycle.

While the internal write cycle is in progress, the XL24C16 inputs are disabled, and the device will not respond to any requests from the master. Refer to Figure 6 for the address, ACKnowledge and data transfer sequence.

Page WRITE

The XL24C16 is capable of a 16-byte page write operation. It is initiated in the same manner as the byte-write operation, but instead of terminating the write cycle after the first data word, the master can transmit up to 15 more words of data. After the receipt of each word, the XL24C16 will respond with an ACKnowledge.

The XL24C16 automatically increments the address for subsequent data words. After the receipt of each word, the four low order address bits are internally incremented by one. The high order five bits of the address byte remain constant. Should the master transmit more than sixteen words, prior to generating the STOP condition, the address counter will “roll over,” and the previously written data will be overwritten. As with the byte-write operation, all inputs are disabled during the internal write cycle. Refer to Figure 6 for the address, ACKnowledge and data transfer sequence.

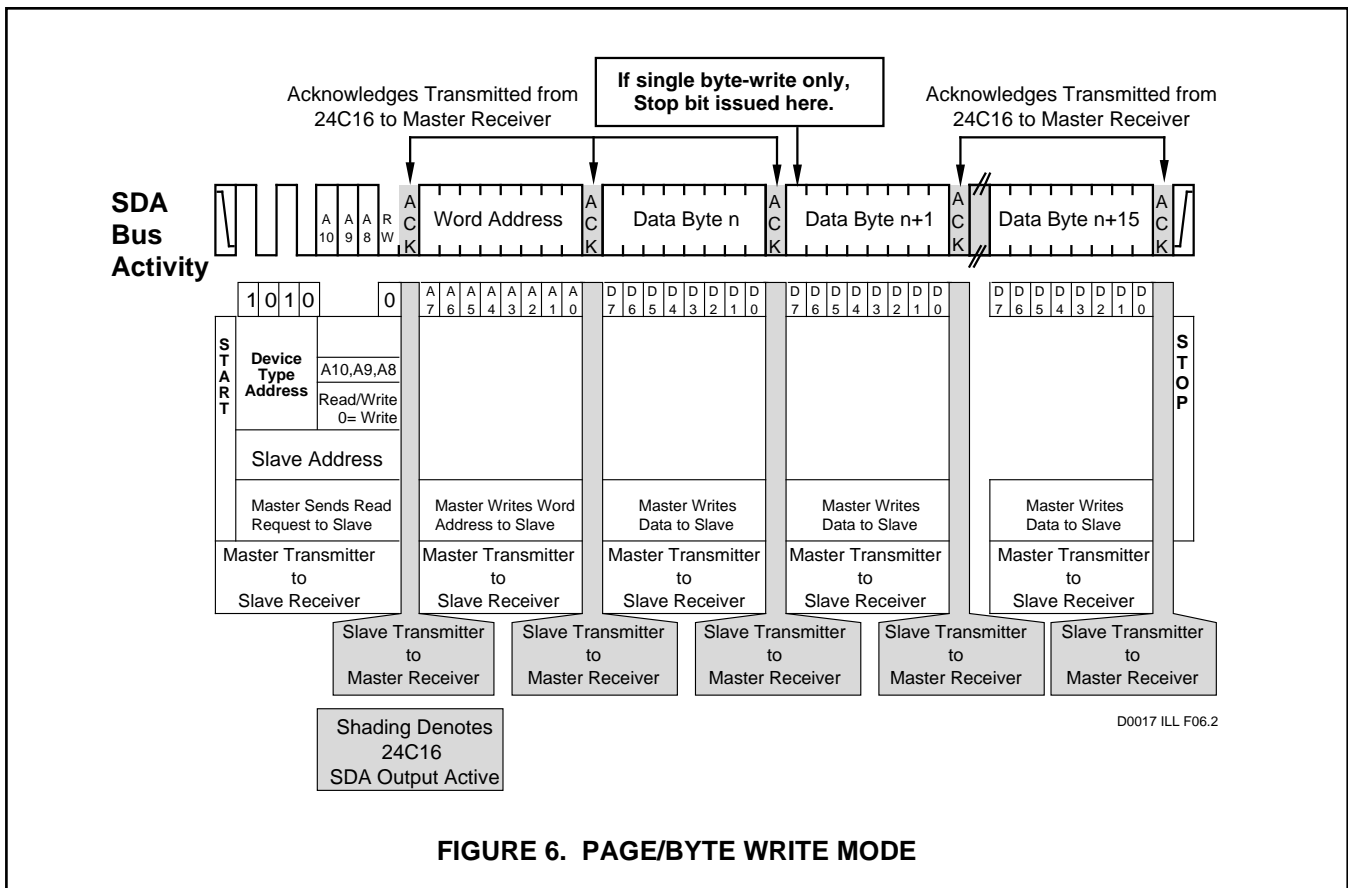
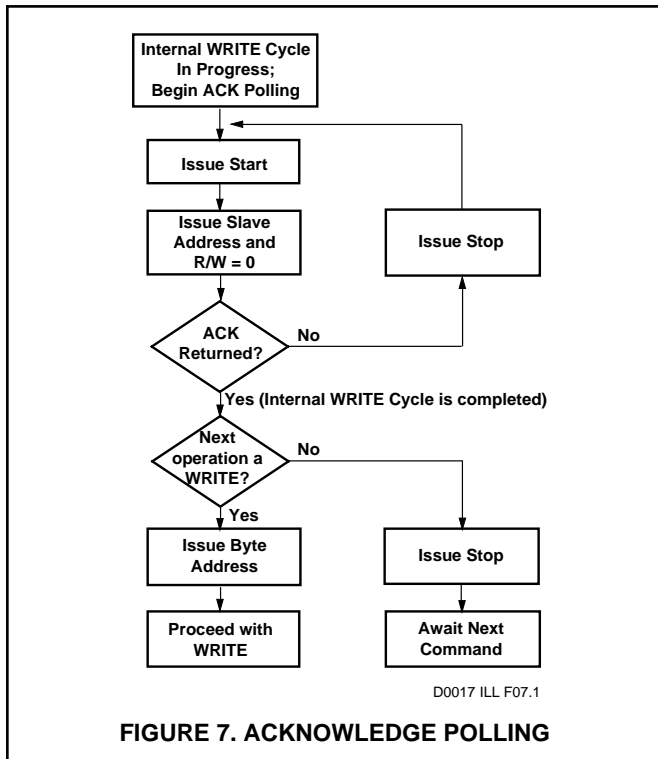


FIGURE 6. PAGE/BYTE WRITE MODE

Acknowledge Polling

When the XL24C16 is performing an internal WRITE operation, it will ignore any new START conditions. Since the device will only return an acknowledge after it accepts the START, the part can be continuously queried until an acknowledge is issued, indicating that the internal WRITE cycle is complete.

To poll the device, give it a START condition, followed by a slave address for a WRITE operation (See Figure 7).



READ OPERATIONS

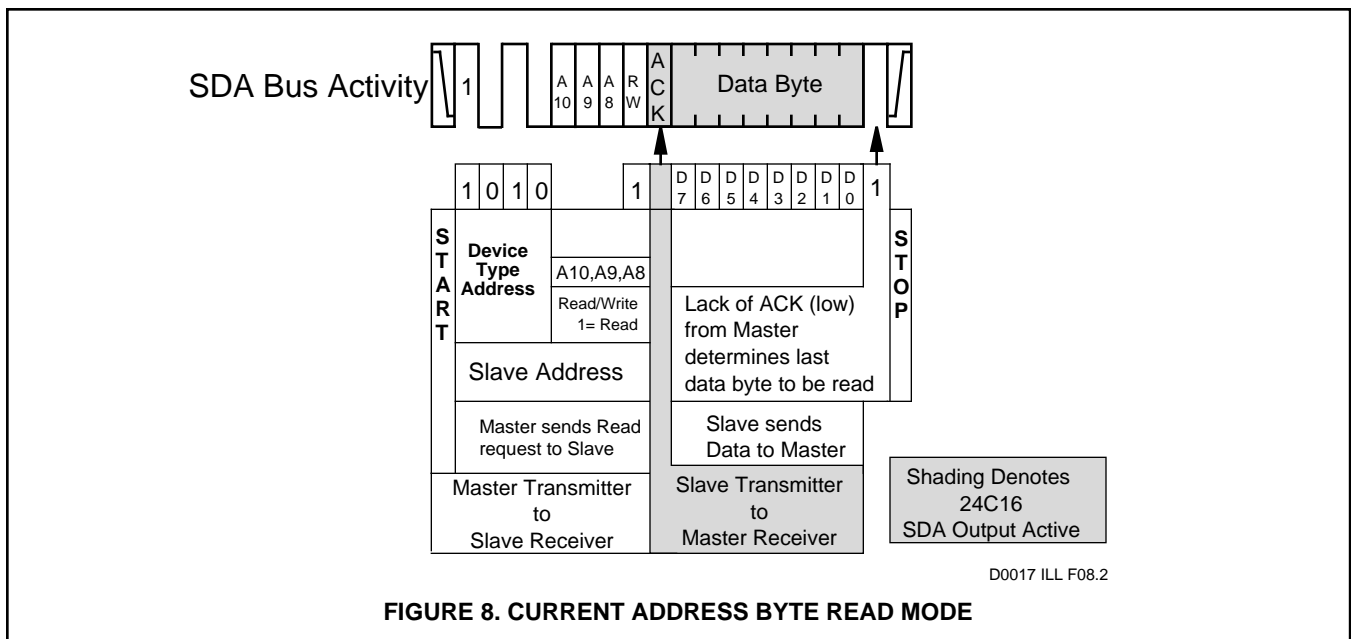
Read operations are initiated with the R/W bit of the identification field set to "1." There are four different read options:

1. Current Address Byte Read
2. Random Address Byte Read
3. Current Address Sequential Read
4. Random Address Sequential Read

Current Address Byte Read

The XL24C16 contains an internal address counter which maintains the address of the last word accessed, incremented by one. If the last address accessed (either a read or write) was to address location n, the next read operation would access data from address location n+1 and increment the current address pointer. When the XL24C16 receives the slave address field with the R/W bit set to "1," it issues an acknowledge and transmits the 8-bit word stored at address location n+1.

The current address byte read operation only accesses a single byte of data. The master does not acknowledge the transfer, but does generate a stop condition. At this point, the XL24C16 discontinues data transmission. See Figure 8 for the address acknowledge and data transfer sequence.



Random Address Byte Read

Random address read operations allow the master to access any memory location in a random fashion. This operation involves a two-step process. First, the master issues a write command which includes the start condition and the slave address field (with the R/W bit set to WRITE) followed by the address of the word it is to read. This procedure sets the internal address counter of the XL24C16 to the desired address.

After the word address acknowledge is received by the master, the master immediately reissues a start condition followed by another slave address field with the R/W bit set to READ. The XL24C16 will respond with an acknowledge and then transmit the 8-data bits stored at the addressed location. At this point, the master does not acknowledge the transmission but does generate the stop condition. The XL24C16 discontinues data transmission and reverts to its standby power mode. See Figure 9 for the address, acknowledge and data transfer sequence.

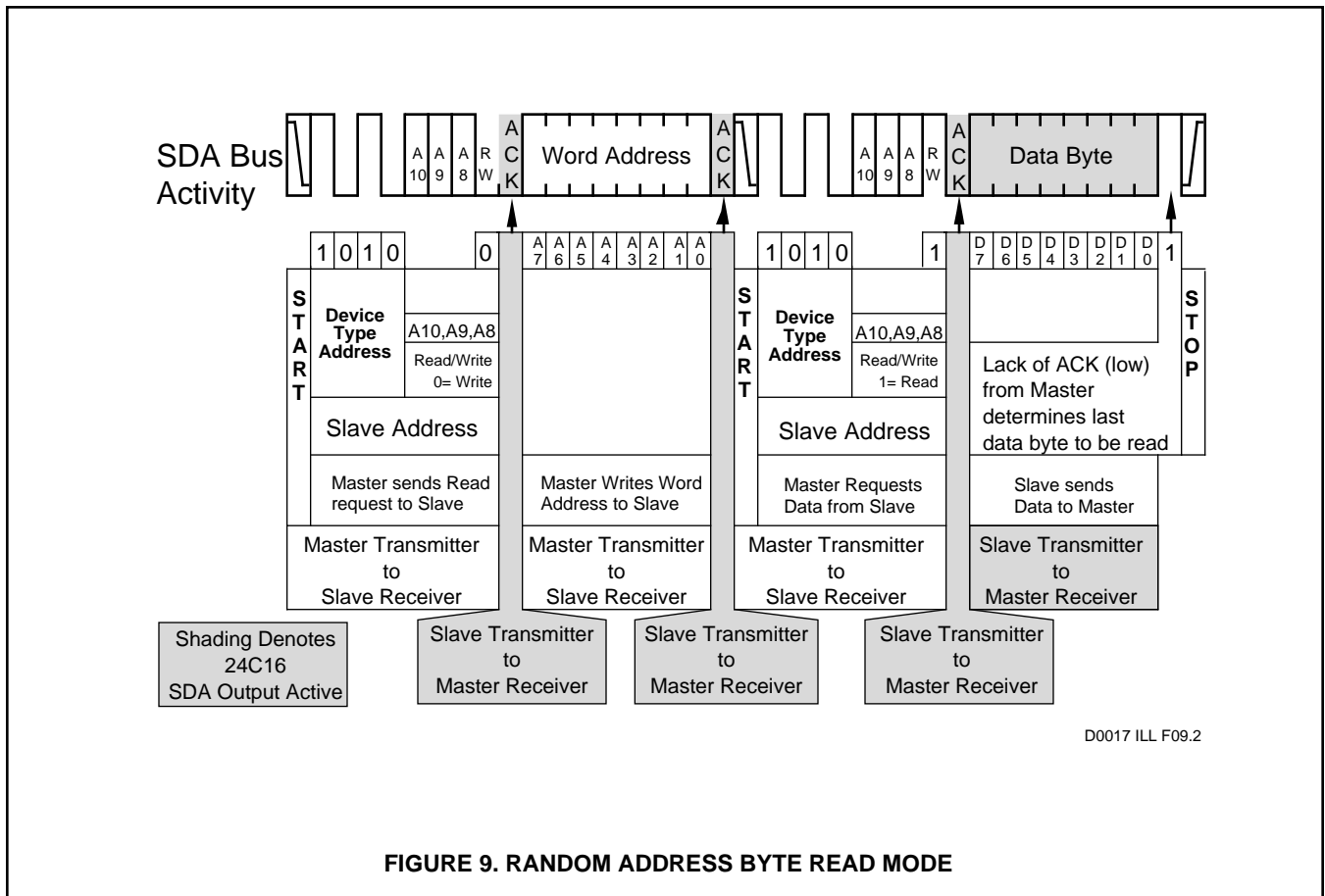


FIGURE 9. RANDOM ADDRESS BYTE READ MODE

ABSOLUTE MAXIMUM RATINGS

Temperature Under Bias	-40°C to +85°C
Storage Temperature	-65°C to +150°C
Soldering Temperature (less than 10 seconds)	300°C
Supply Voltage	0 to 6.5V
Voltage on Any Pin	-0.3V to V _{CC} +0.3V
ESD Voltage (JEDEC method)	2,000V

NOTE: These are STRESS ratings only. Appropriate conditions for operating these devices are given elsewhere in this specification. Stresses beyond those listed here may permanently damage the part. Prolonged exposure to maximum ratings may affect device reliability.

DC ELECTRICAL CHARACTERISTICS

T_A = -40°C to +85°C, V_{CC} = 1.8V to 5.5V

Symbol	Parameter	Conditions	Min	Max	Units
I _{CC}	Supply Current (CMOS)	SCL = CMOS Levels @ 100KHz SDA = Open All other inputs = GND or V _{CC}	V _{CC} = 5.5V	3	mA
			V _{CC} = 1.8V	1	mA
I _{SB}	Standby Current (CMOS)	SCL = SDA = V _{CC} All other inputs = GND	V _{CC} = 5.5V	5	µA
			V _{CC} = 1.8V	2	µA
I _{LI}	Input Leakage	V _{IN} = 0 To V _{CC}		10	µA
I _{LO}	Output Leakage	V _{OUT} = 0 To V _{CC}		10	µA
V _{IL}	Input Low Voltage	S0, $\bar{S}1$, S2, SCL, SDA		0.3xV _{CC}	V
V _{IH}	Input High Voltage	S0, $\bar{S}1$, S2, SCL, SDA	0.7xV _{CC}		V
V _{OL}	Output Low Voltage	I _{OL} = 3mA		0.4	V

D0017 PGM T01.2

AC ELECTRICAL CHARACTERISTICS

T_A = -40°C to +85°C, V_{CC} = 1.8V to 5.5V

Symbol	Parameter	Conditions	1.8V to 5.5V		4.5V to 5.5V		Units
			Min	Max	Min	Max	
f _{SCL}	SCL Clock Frequency		0	100		400	KHz
t _{LOW}	Clock Low Period		4.7		1.3		µs
t _{HIGH}	Clock High Period		4.0		0.6		µs
t _{BUF}	Bus Free Time	Before New Transmission	4.7		1.3		µs
t _{SU:STA}	Start Condition Setup Time		4.7		0.6		µs
t _{HD:STA}	Start Condition Hold Time		4.0		0.6		µs
t _{SU:STO}	Stop Condition Setup Time		4.7		0.6		µs
t _{AA}	Clock to Output	SCL Low to SDA Data Out Valid	0.3	3.5	0.2	0.9	µs
t _{DH}	Data Out Hold Time	SCL Low to SDA Data Out Change	0.3		0.2		µs
t _R	SCL and SDA Rise Time			1000		300	ns
t _F	SCL and SDA Fall Time			300		300	ns
t _{SU:DAT}	Data In Setup Time		250		100		ns
t _{HD:DAT}	Data In Hold Time		0		0		ns
T _I	Noise Spike Width	Noise Suppression Time Constant		100		100	ns
t _{WR}	Write Cycle Time			10		10	ms

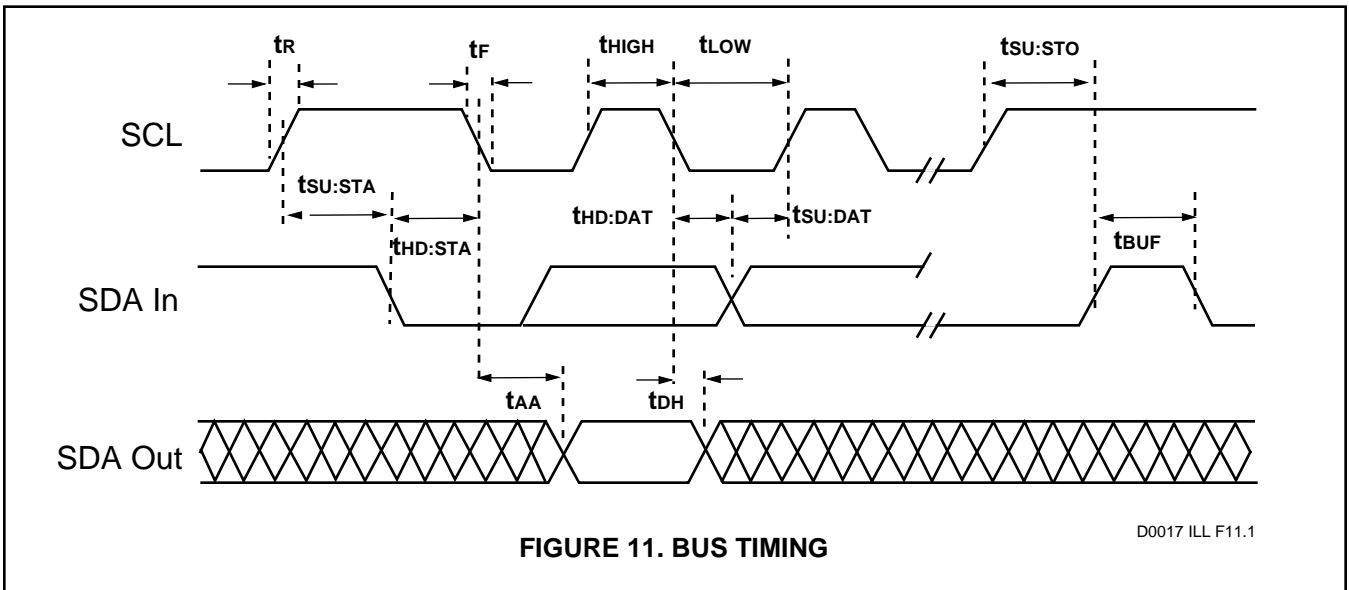
D0017 PGM T02.1

CAPACITANCE

T_A = 25°C, f = 100KHz

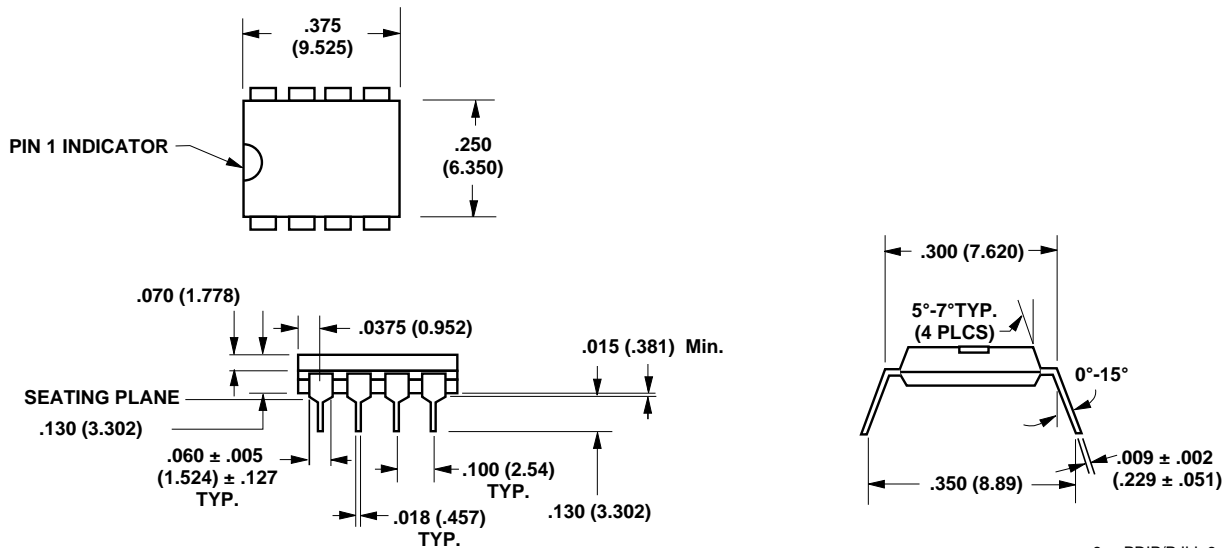
Symbol	Parameter	Max	Units
CIN	Input Capacitance	5	pF
COUT	Output Capacitance	8	pF

D0017 PGM T03.1



PACKAGE DIAGRAMS

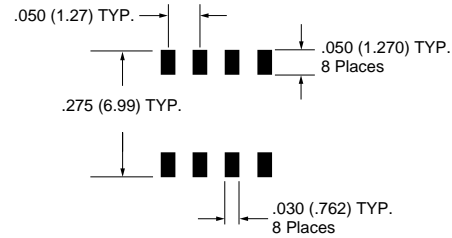
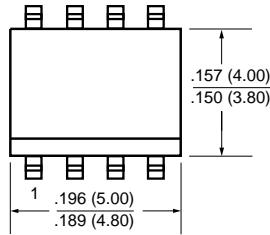
Plastic Dual-in-line (Type "P") Package (PDIP)*



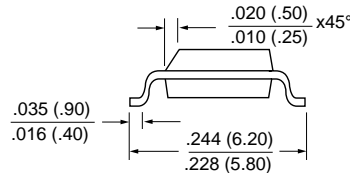
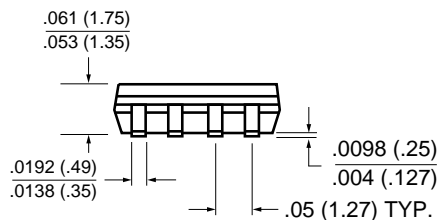
8pn PDIP/P ILL.3

All dimensions in inches (mm).
* See cover page for pinout options.

8 Pin SOIC (Type "Y") Package* (JEDEC 150 mil body width)



FOOTPRINT



8pn JEDEC SOIC ILL.1

All dimensions in inches (mm).

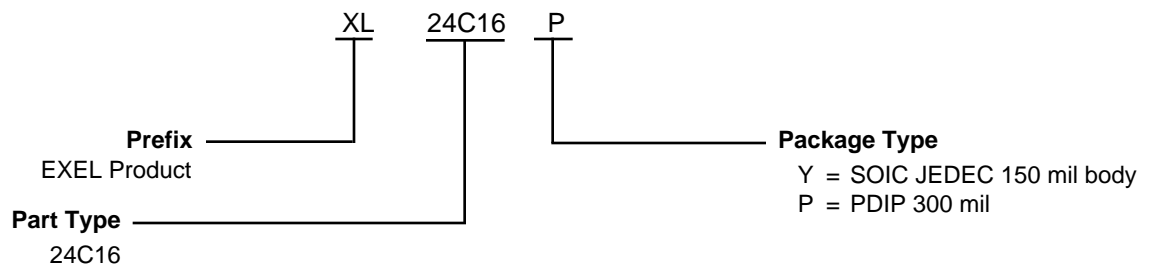
* See cover page for pinout options.

ORDERING INFORMATION

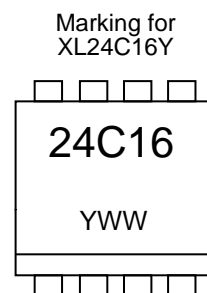
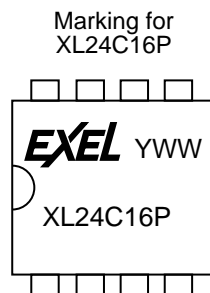
Prefix	Part Number	Package Type
XL	24C16	Y, P

D0017 PGM T04.1

Part Numbers:



MARKING INFORMATION



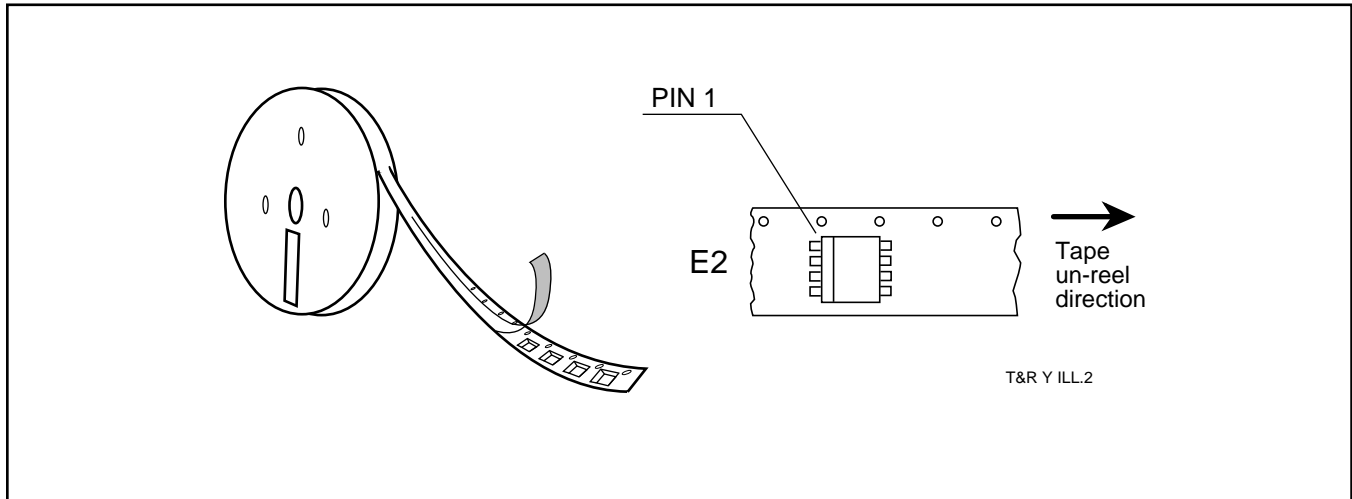
* See cover page for pinout options.

D0017 ILL C01.1

TAPE AND REEL (EMBOSSED) INFORMATION

Surface mount devices, which are normally shipped in antistatic plastic tubes, are also available mounted on embossed tape for customers using automatic placement

systems. The following diagram provides general information regarding the direction of the IC's. Tape "E2" shall be designated with PIN 1 at the trail direction.

**SALES OFFICES****EXEL Corporate**

Tel 408-432-0500
Fax 408-432-8710

EXEL Northwest/North Central

Tel 810-684-2959
Fax 810-684-2430

EXEL East

Tel 407-365-8796
Fax 407-977-0449

EXELFax™ Literature Hotline

1-800-853-5886
1-908-935-2774

EXEL Southwest/South Central

Tel 214-881-1205
Fax 214-881-1056

NOTICE

EXEL Microelectronics, Inc. reserves the right to make changes to the products contained in this publication in order to improve design, performance or reliability. EXEL Microelectronics, Inc. assumes no responsibility for the use of any circuits described herein, conveys no license under any patent or other right, and makes no representation that the circuits are free of patent infringement. Charts and schedules contained herein reflect representative operating parameters, and may vary depending upon a user's specific application. While the information in this publication has been carefully checked, EXEL Microelectronics, Inc. shall not be liable for any damages arising as a result of any error or omission.

EXEL Microelectronics, Inc. does not recommend the use of any of its products in life support applications where the failure or malfunction of the product can reasonably be expected to cause failure of the life support system or to significantly affect its safety or effectiveness. Products are not authorized for use in such applications unless EXEL Microelectronics, Inc. receives written assurances, to its satisfaction, that: (a) the risk of injury or damage has been minimized; (b) the user assumes all such risks; and (c) potential liability of EXEL Microelectronics, Inc. is adequately protected under the circumstances.

© Copyright 1996 EXEL Microelectronics, Inc.

I²C™ is a trademark of Philips Corporation. Purchase of I²C components of Rohm Co. Ltd., or one of its sublicensed Associated Companies (EXEL Microelectronics, Inc.) conveys a license under the Philips I²C Patent Rights to use these components in an I²C system, provided that the system conforms to the I²C Standard Specification as defined by Philips.