

Complementary Silicon Power Transistor

... for general purpose driver or medium power output stages in CW or switching applications.

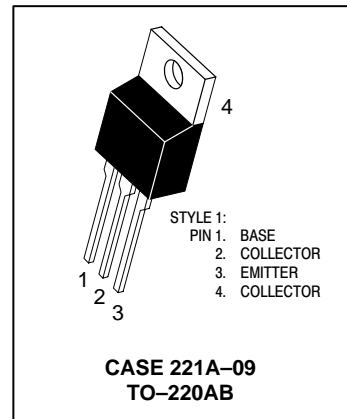
- Low Collector–Emitter Saturation Voltage — 0.5 V (Max)
- High f_t for Good Frequency Response
- Low Leakage Current

**PNP
D45C
NPN
D44C**

**4.0 AMPERE
COMPLEMENTARY
SILICON
POWER TRANSISTORS
80 VOLTS**

MAXIMUM RATINGS

Rating	Symbol	Value	Unit
Collector–Emitter Voltage	V_{CEO}	80	Vdc
Collector–Emitter Voltage	V_{CES}	90	Vdc
Emitter Base Voltage	V_{EB}	5.0	Vdc
Collector Current — Continuous Peak (1)	I_C	4.0 6.0	Adc
Total Power Dissipation @ $T_C = 25^\circ\text{C}$ @ $T_A = 25^\circ\text{C}$	P_D	30 1.67	Watts W/ $^\circ\text{C}$
Operating and Storage Junction Temperature Range	T_J, T_{stg}	-55 to 150	$^\circ\text{C}$



THERMAL CHARACTERISTICS

Characteristic	Symbol	Max	Unit
Thermal Resistance, Junction to Case	$R_{\theta JC}$	4.2	$^\circ\text{C}/\text{W}$
Thermal Resistance, Junction to Ambient	$R_{\theta JA}$	75	$^\circ\text{C}/\text{W}$
Maximum Lead Temperature for Soldering Purposes: 1/8" from Case for 5 Seconds	T_L	275	$^\circ\text{C}$

(1) Pulse Width \leq 6.0 ms, Duty Cycle \leq 50%.

ELECTRICAL CHARACTERISTICS ($T_J = 25^\circ\text{C}$ unless otherwise noted)

Characteristic	Symbol	Min	Max	Unit
DC Current Gain ($V_{CE} = 1.0 \text{ Vdc}, I_C = 0.2 \text{ Adc}$) ($V_{CE} = 1.0 \text{ Vdc}, I_C = 1.0 \text{ Adc}$) ($V_{CE} = 1.0 \text{ Vdc}, I_C = 2.0 \text{ Adc}$)	h_{FE}	40 20 20	120 — —	—

NPN

ELECTRICAL CHARACTERISTICS ($T_C = 25^\circ\text{C}$ unless otherwise noted)

Characteristic	Symbol	Min	Typ	Max	Unit
----------------	--------	-----	-----	-----	------

OFF CHARACTERISTICS

Collector Cutoff Current ($V_{CE} = \text{Rated } V_{CES}, V_{BE} = 0$)	I_{CES}	—	—	0.1	μA
Emitter Cutoff Current ($V_{EB} = 5.0 \text{ Vdc}$)	I_{EBO}	—	—	10	μA

ON CHARACTERISTICS

Collector–Emitter Saturation Voltage ($I_C = 1.0 \text{ Adc}, I_B = 50 \text{ mAdc}$)	$V_{CE(\text{sat})}$	—	0.135	0.5	Vdc
Base–Emitter Saturation Voltage ($I_C = 1.0 \text{ Adc}, I_B = 100 \text{ mAdc}$)	$V_{BE(\text{sat})}$	—	0.85	1.3	Vdc

DYNAMIC CHARACTERISTICS

Collector Capacitance ($V_{CB} = 10 \text{ Vdc}, f = 1.0 \text{ MHz}$)	C_{cb}	—	125	—	pF
Gain Bandwidth Product ($I_C = 20 \text{ mA}, V_{CE} = 4.0 \text{ Vdc}, f = 20 \text{ MHz}$)	f_T	—	40	—	MHz

SWITCHING TIMES

Delay and Rise Times ($I_C = 1.0 \text{ Adc}, I_{B1} = 0.1 \text{ Adc}$)	$t_d + t_r$	—	50	75	ns
Storage Time ($I_C = 1.0 \text{ Adc}, I_{B1} = I_{B2} = 0.1 \text{ Adc}$)	t_s	—	350	550	ns
Fall Time ($I_C = 1.0 \text{ Adc}, I_{B1} = I_{B2} = 0.1 \text{ Adc}$)	t_f	—	50	75	ns

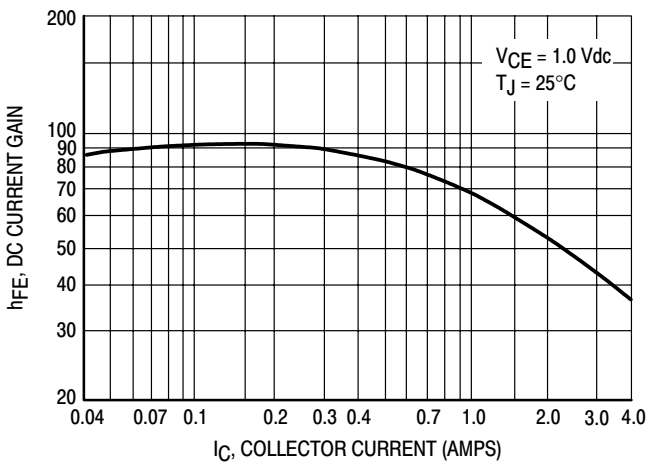


Figure 1. Typical DC Current Gain

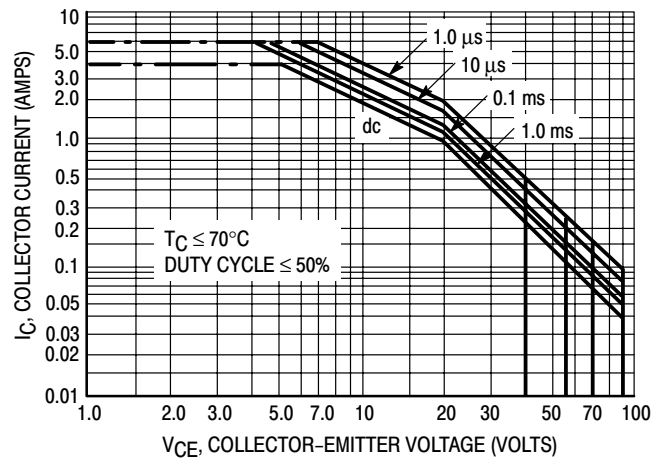
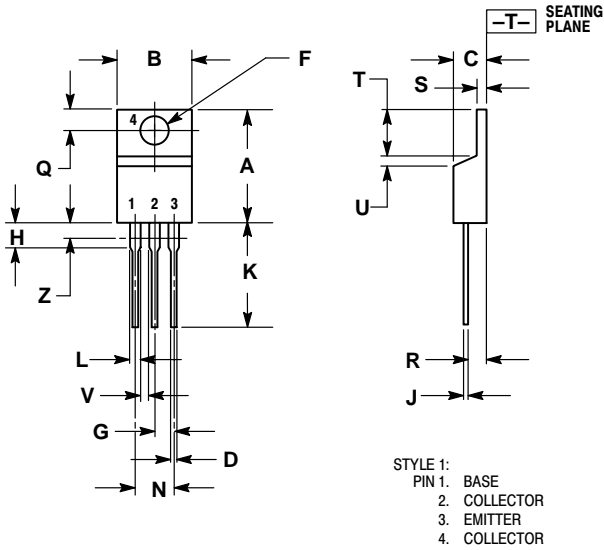


Figure 2. Maximum Rated Forward Bias Safe Operating Area

NPN

PACKAGE DIMENSIONS


TO-220AB CASE 221A-09 ISSUE AA



NOTES:

1. DIMENSIONING AND TOLERANCING PER ANSI Y14.5M, 1982.
2. CONTROLLING DIMENSION: INCH.
3. DIMENSION Z DEFINES A ZONE WHERE ALL BODY AND LEAD IRREGULARITIES ARE ALLOWED.

DIM	INCHES		MILLIMETERS	
	MIN	MAX	MIN	MAX
A	0.570	0.620	14.48	15.75
B	0.380	0.405	9.66	10.28
C	0.160	0.190	4.07	4.82
D	0.025	0.035	0.64	0.88
F	0.142	0.147	3.61	3.73
G	0.095	0.105	2.42	2.66
H	0.110	0.155	2.80	3.93
J	0.018	0.025	0.46	0.64
K	0.500	0.562	12.70	14.27
L	0.045	0.060	1.15	1.52
N	0.190	0.210	4.83	5.33
Q	0.100	0.120	2.54	3.04
R	0.080	0.110	2.04	2.79
S	0.045	0.055	1.15	1.39
T	0.235	0.255	5.97	6.47
U	0.000	0.050	0.00	1.27
V	0.045	---	1.15	---
Z	---	0.080	---	2.04

ON Semiconductor and  are registered trademarks of Semiconductor Components Industries, LLC (SCILLC). SCILLC reserves the right to make changes without further notice to any products herein. SCILLC makes no warranty, representation or guarantee regarding the suitability of its products for any particular purpose, nor does SCILLC assume any liability arising out of the application or use of any product or circuit, and specifically disclaims any and all liability, including without limitation special, consequential or incidental damages. "Typical" parameters which may be provided in SCILLC data sheets and/or specifications can and do vary in different applications and actual performance may vary over time. All operating parameters, including "Typicals" must be validated for each customer application by customer's technical experts. SCILLC does not convey any license under its patent rights nor the rights of others. SCILLC products are not designed, intended, or authorized for use as components in systems intended for surgical implant into the body, or other applications intended to support or sustain life, or for any other application in which the failure of the SCILLC product could create a situation where personal injury or death may occur. Should Buyer purchase or use SCILLC products for any such unintended or unauthorized application, Buyer shall indemnify and hold SCILLC and its officers, employees, subsidiaries, affiliates, and distributors harmless against all claims, costs, damages, and expenses, and reasonable attorney fees arising out of, directly or indirectly, any claim of personal injury or death associated with such unintended or unauthorized use, even if such claim alleges that SCILLC was negligent regarding the design or manufacture of the part. SCILLC is an Equal Opportunity/Affirmative Action Employer.

PUBLICATION ORDERING INFORMATION

Literature Fulfillment:

Literature Distribution Center for ON Semiconductor
P.O. Box 5163, Denver, Colorado 80217 USA
Phone: 303-675-2175 or 800-344-3860 Toll Free USA/Canada
Fax: 303-675-2176 or 800-344-3867 Toll Free USA/Canada
Email: ONlit@hibbertco.com

N. American Technical Support: 800-282-9855 Toll Free USA/Canada

JAPAN: ON Semiconductor, Japan Customer Focus Center
4-32-1 Nishi-Gotanda, Shinagawa-ku, Tokyo, Japan 141-0031
Phone: 81-3-5740-2700
Email: r14525@onsemi.com

ON Semiconductor Website: <http://onsemi.com>

For additional information, please contact your local Sales Representative.