

X00083

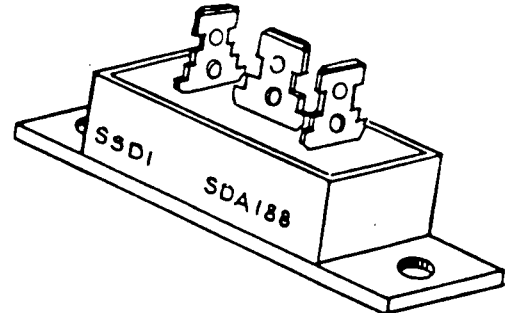


50 amp rectifier assembly

14830 Valley View Avenue
 La Mirada, California 90638
 (213) 921-9660
 TWX 910-583-4807
 FAX 213-921-2396

FEATURES

- 500 AMP SURGE CAPABILITY
- HERMETICALLY SEALED
- AVERAGE OUTPUT CURRENT 50 AMPS
- PIV 50 TO 1000 VOLTS
- MAX THERMAL RESISTANCE .5°C/WATT
- UNIVERSAL 3 WAY SOLDER TERMINALS
- CHOICE OF THREE TERMINAL CONFIGURATIONS



SSDI introduces a new and complete series of Doublers and Center Taps, Rectifier circuits. Designed in cast aluminum cases to provide maximum thermal conductivity and simple installation. A unique Three-Way terminal provides the designer a choice of using faston terminal, wire wrap or soldering hole. This series features SSDI's high surge current capabilities for the most critical applications and hermetically sealed rectifier cells for higher reliability and mechanical strength.

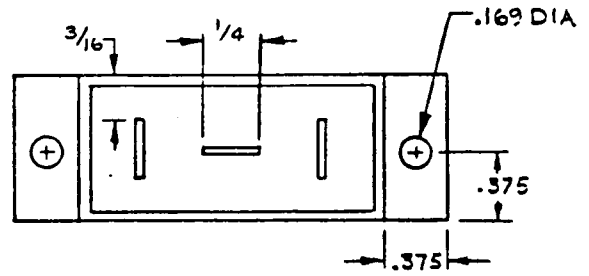
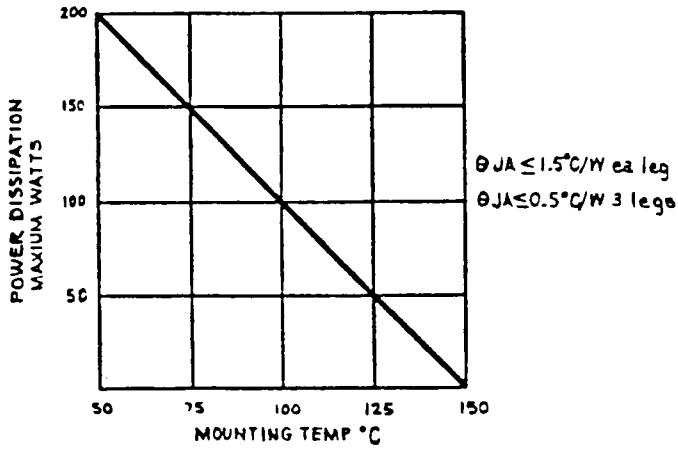
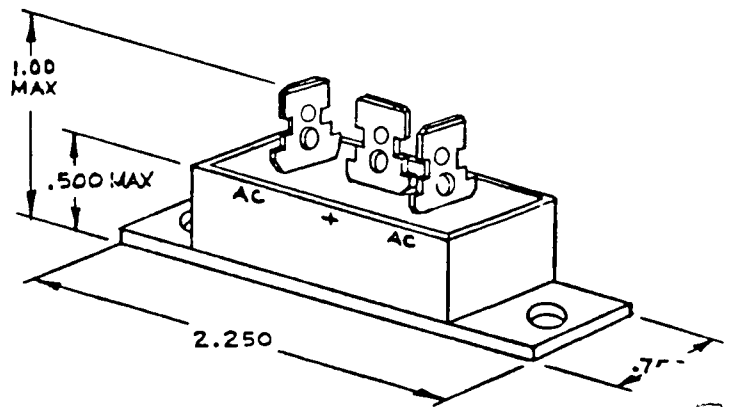
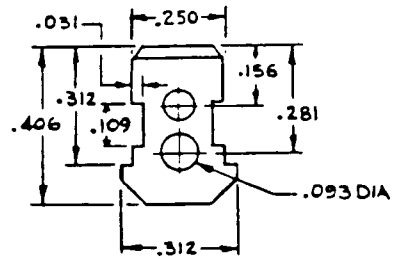
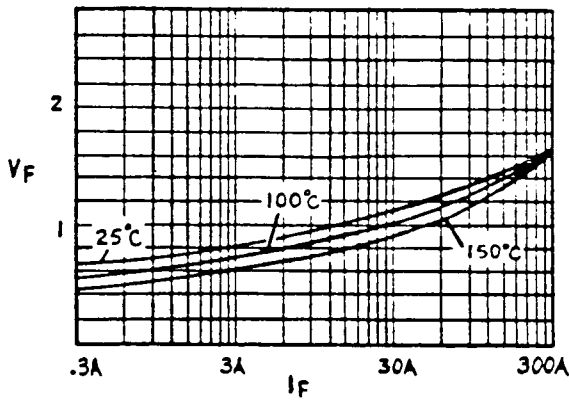
Consult your factory representative for engineering assistance.

Type	PIV per leg	Sine Wave RMS input Voltage Max.	Average DC Output Amps TC = (case temp.)			Peak 1 Cycle Forward Surge	Peak Recurrent Forward	VF Max. per leg \leq 25A DC	Reverse Current (I _R Max. per leg. @ PIV)	
			55 °C	100 °C	125 °C				25 °C	100 °C
	VOLTS	VOLTS	AMPS	AMPS	AMPS	AMPS	AMPS	VOLTS	UA	UA
SDA 188 A	50	35	50	33	16	500	200	1.0	5	100
SDA 188 B	100	70	50	33	16	500	200	1.0	5	100
SDA 188 C	200	140	50	33	16	500	200	1.0	5	100
SDA 188 D	400	280	50	33	16	500	200	1.0	5	100
SDA 188 E	600	420	50	33	16	500	200	1.0	5	100
SDA 188 F	800	560	50	33	16	500	200	1.0	5	100
SDA 188 G	1000	700	50	33	16	500	200	1.0	5	100

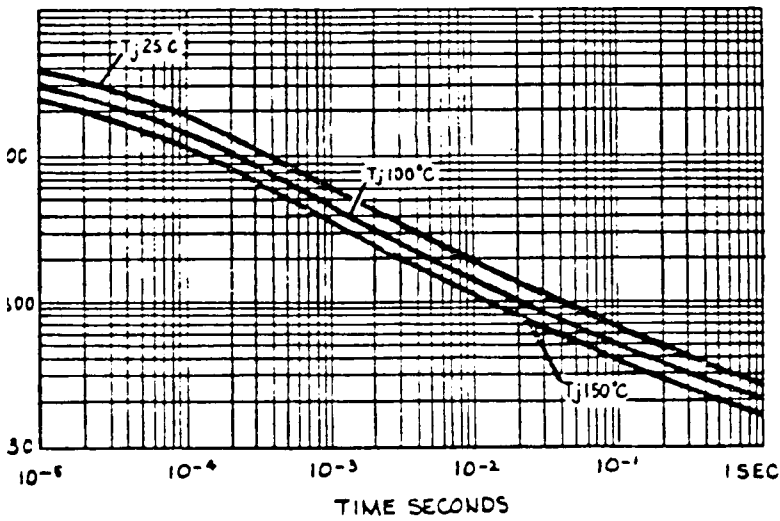
SSDII

application notes

TYPICAL $V_F - I_F$



NON-REPETITIVE SURGE-TIME



TERMINAL CONFIGURATION

Case C Case A Case D

TOLERANCE: xx ±.03
 xxx ±.020
 FRACTIONAL = NOM DIM

