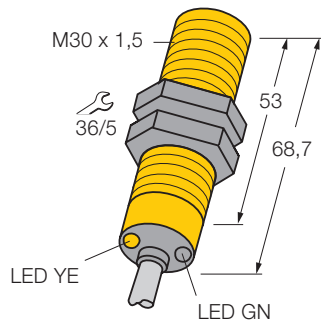
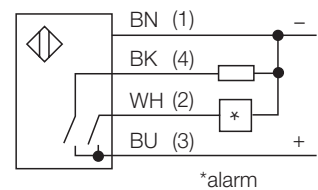
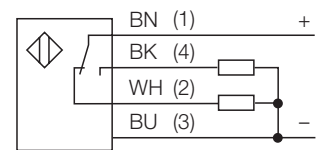


## Photoelectric sensor diffuse mode sensor with background suppression S30SP6FF200



- selectable light or dark operation or light operation with alarm function
- cable, 2 m
- operational voltage 10..0.30 VDC
- degree of protection IP69K

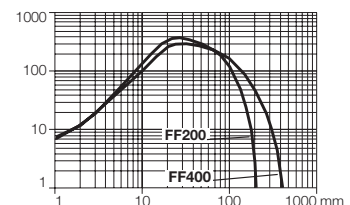
### Wiring diagram



The emitter and receiver are incorporated in a single housing. The light reflection of the target is detected and triggers the sensor to switch. Thus the switching distance depends largely on the reflectivity of the target.

### Excess gain curve

Excess gain in relation to the distance



<b>Type</b>	S30SP6FF200
Ident-No.	3460000
<b>Operating mode</b>	Diffuse mode sensors with fixed-field background suppression
Type of light	IR
Wave length	880 nm
Sensing range [mm]	0... 200 mm
Operating temperature	-40 ...+ 70 °C
<b>Rated operational voltage (DC) <math>U_B</math></b>	10... 30 VDC
Rated operational current (DC) $I_e$	≤ 150 mA
No-load current $I_0$	≤ 35 mA
Short-circuit protection	yes, cyclic
Reverse polarity protection	yes
Output function	connection programmable, PNP
Switching frequency	≤ 160 Hz
Max. switch-on delay	≤ 100 ms
Overload trip point	>220 mA
<b>Housing style</b>	cylindrical/thread; S30
Dimensions	68,7 mm
Housing material	plastic, PBT
Lens	Plastic, Acryl
Wiring	cable
Cable length	2 m
Cable cross section	4 x 0,5 mm <sup>2</sup>
Degree of protection	IP68 - IP69K
<b>Supply voltage indication</b>	LED green
Switching status indication	LED yellow
Error indication	LED green flashing
Alarm indication	LED yellow flashing