

On-Board Type Coils / Chip Inductors

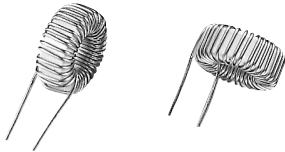


Lead Type Toroid Inductor TC Series

TC Series

Iron Power Toroidal Choke Coils

鐵粉芯環型扼流線圈



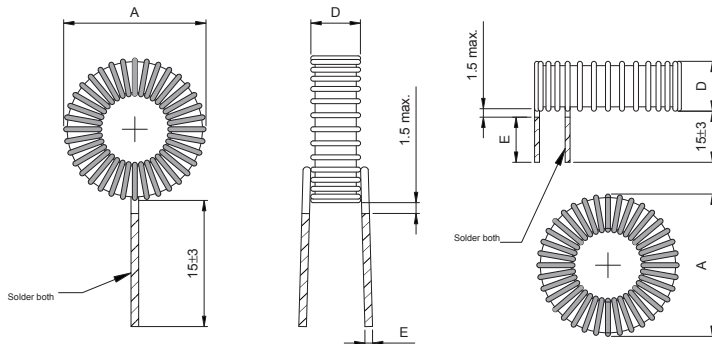
■ Features

1. Extremely cost effective design.
2. Useful for application requiring inductance to vary with current load changes.
3. Self electromagnetic shielding .

● 特徵

1. 低成本設計。
2. 適合感值需隨電流變化之應用。
3. 自我的磁遮蔽。

■ Dimensions



Material	
Core	Iron Powder Material Toroids
Wire	130°C or 155°C UEW-NY Wire

■ TC Series

Part Number	Inductance (uH) @1 KHz / 0A	Inductance (uH) @1 KHz/ max. IDC	IDC (A) max.	DC Resistance (Ω) max.	Dimension (mm)	
					A	D
TC2026-5R0M	5.000	4.900	0.50	0.007	7.50	4.50
TC2026-9R0M	9.000	8.800	0.30	0.011	8.00	4.50
TC2026-150M	15.00	13.50	0.50	0.070	7.50	4.50
TC2026-200M	20.00	19.80	0.20	0.198	7.50	4.00
TC2026-270M	27.0	27.00	0.10	0.033	7.50	4.00
TC2026-270M	27.00	25.50	0.30	0.031	8.00	4.50

- All the data listed in this catalogue are for reference only,TAI-TECH reserves the right to alter or revise the specifications without prior notification.

■ TC Series

Part Number	Inductance (uH) @1 KHz / 0A	Inductance (uH) @1 KHz/ max. IDC	IDC (A) max.	DC Resistance (Ω) max.	Dimension (mm)	
					A	D
TC3026-100M	10.00	7.700	2.00	0.017	12.00	7.00
TC3026-120M	12.00	10.70	1.00	0.040	10.50	6.00
TC3026-320M	32.00	25.00	1.00	0.065	12.00	7.00
TC3026-370M	37.00	33.70	0.50	0.134	10.00	5.50
TC3026-141M	140.00	107.0	0.50	0.265	10.00	6.00
TC3726-8R2M	8.200	7.200	2.00	0.017	14.50	7.00
TC3726-220M	22.00	17.00	2.00	0.030	14.50	7.50
TC3726-240M	24.00	22.00	1.00	0.055	13.50	6.00
TC3726-560M	56.00	53.00	0.50	0.181	12.50	5.50
TC3726-680M	68.00	53.00	1.00	0.095	13.50	6.50
TC3726-241M	240.0	190.0	0.50	0.360	13.00	6.50
TC4426-150M	15.00	12.60	2.00	0.023	15.50	7.50
TC4426-430M	43.00	37.00	1.00	0.074	14.50	7.00
TC4426-680M	68.00	42.00	2.00	0.056	15.50	9.00
TC4426-111M	110.0	100.0	0.50	0.250	14.00	6.50
TC4426-141M	140.0	104.0	1.00	0.140	15.00	7.50
TC4426-361M	360.0	285.0	0.50	0.460	14.50	7.50
TC5026-200M	20.00	15.00	3.00	0.021	17.50	9.00
TC5026-300M	30.00	25.00	2.00	0.035	17.00	8.50
TC5026-600M	60.00	35.00	3.00	0.038	18.00	10.0
TC5026-680M	68.00	60.00	1.00	0.101	16.00	7.50
TC5026-101M	100.0	63.00	2.00	0.081	17.00	9.00
TC5026-221M	220.0	162.0	1.00	0.190	16.50	8.00
TC6026-220M	22.00	15.00	5.00	0.014	21.50	11.50
TC6026-290M	29.00	20.00	4.00	0.020	21.00	11.00
TC6026-350M	35.00	28.00	3.00	0.026	20.50	10.50
TC6026-580M	58.00	45.00	2.00	0.061	20.00	10.00
TC6026-900M	90.00	52.50	3.00	0.044	20.50	12.50
TC6026-111M	110.0	79.00	2.00	0.069	19.50	10.00
TC6026-131M	130.0	116.0	1.00	0.146	19.00	9.000
TC6026-471M	470.0	310.0	1.00	0.286	21.00	11.00
TC6026-250M	25.00	18.00	5.00	0.016	24.00	10.50
TC6826-320M	32.00	24.00	4.00	0.021	23.50	10.00
TC6826-430M	43.00	30.00	3.00	0.030	23.00	9.500
TC6826-650M	65.00	55.00	2.00	0.055	22.00	9.000
TC6826-111M	110.0	56.00	4.00	0.042	23.50	11.00
TC6826-131M	130.0	77.00	3.00	0.055	23.00	10.50
TC6826-151M	150.0	137.0	1.00	0.159	21.50	7.500
TC6826-231M	230.0	148.0	2.00	0.108	22.50	9.500
TC8026-500M	50.00	33.00	5.00	0.022	26.50	12.00
TC8026-600M	60.00	42.00	4.00	0.030	26.50	11.50
TC8026-750M	75.00	54.00	3.00	0.039	25.50	11.00
TC8026-820M	82.00	60.00	3.00	0.042	24.50	10.50
TC8026-101M	100.0	53.00	5.00	0.033	26.50	12.50
TC8026-151M	150.0	68.00	5.00	0.042	27.00	13.50
TC8026-221M	220.0	105.0	4.00	0.059	26.50	13.00
TC8026-271M	270.0	140.0	3.00	0.081	26.00	12.00
TC8026-321M	320.0	193.0	2.00	0.131	25.00	10.50
TC8026-431M	430.0	246.0	2.00	0.150	25.00	11.00
TC8026-961M	960.0	625.0	1.00	0.438	25.00	11.00

- All the data listed in this catalogue are for reference only,TAI-TECH reserves the right to alter or revise the specifications without prior notification.

■ TC Series

Part Number	Inductance (uH) @1 KHz / 0A	Inductance (uH) @1 KHz/ max. IDC	IDC (A) max.	DC Resistance (Ω) max.	Dimension (mm)	
					A	D
TC9026-900M	90.00	54.00	5.00	0.034	29.50	15.50
TC9026-141M	140.0	98.00	3.00	0.064	28.00	14.50
TC9026-201M	200.0	154.0	2.00	0.114	28.00	14.00
TC9026-321M	320.0	120.0	5.00	0.068	29.50	17.00
TC9026-451M	450.0	280.0	2.00	0.174	28.00	14.00
TC9026-471M	470.0	398.0	1.00	0.354	26.50	13.00
TC9026-471M	470.0	225.0	3.00	0.188	28.50	15.50
TC9026-182M	1800	1130	1.00	0.680	27.50	14.00
TC9426-820M	82.00	52.00	5.00	0.033	31.00	15.50
TC9426-101M	100.0	69.00	4.00	0.042	29.50	13.50
TC9426-131M	130.0	96.00	3.00	0.061	29.00	13.00
TC9426-221M	220.0	170.0	2.00	0.121	28.50	12.00
TC9426-301M	300.0	120.0	5.00	0.064	30.00	15.50
TC9426-391M	390.0	165.0	4.00	0.088	29.50	15.00
TC9426-471M	470.0	400.0	1.00	0.342	27.50	11.50
TC9426-501M	500.0	242.0	3.00	0.124	29.00	14.00
TC9426-781M	780.0	428.0	2.00	0.225	28.50	13.50
TC9426-132M	1300	933.0	1.00	0.585	28.50	12.50
TC10626-300M	30.00	21.00	10.0	0.009	36.00	19.50
TC10626-350M	35.00	25.00	10.0	0.010	36.00	19.50
TC10626-560M	56.00	41.50	7.00	0.020	34.00	18.00
TC10626-680M	68.00	46.00	7.00	0.021	34.00	18.00
TC10626-820M	82.00	53.00	7.00	0.023	34.00	18.00
TC10626-101M	100.0	75.00	5.00	0.036	33.50	17.00
TC10626-151M	150.0	110.0	4.00	0.053	32.50	16.50
TC10626-201M	200.0	157.0	3.00	0.078	32.00	16.00
TC10626-301M	300.0	250.0	2.00	0.142	31.50	15.50
TC10626-851M	850.0	567.0	2.00	0.211	32.50	16.50
TC13026-750M	75.00	43.00	10.0	0.014	42.00	19.50
TC13026-131M	130.0	79.00	7.00	0.031	41.00	18.00
TC13026-201M	200.0	134.0	5.00	0.056	39.00	17.00
TC13026-251M	250.0	105.0	10.0	0.027	42.50	21.50
TC13026-471M	470.0	190.0	7.00	0.064	40.50	19.50
TC13026-681M	680.0	295.0	5.00	0.105	39.00	18.50