

# L-317XXW&L-317XXD series..

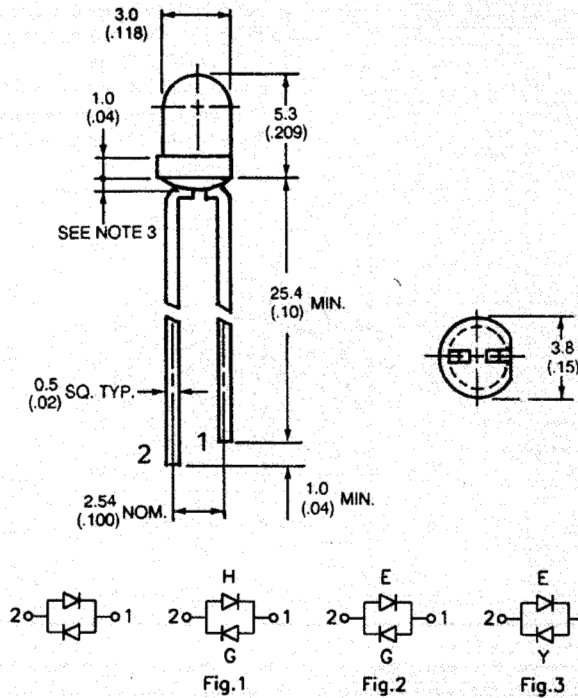
## 3mm Dia LED LAMP

### DUAL CHIP (BI POLAR)

#### MAIN FEATURES :

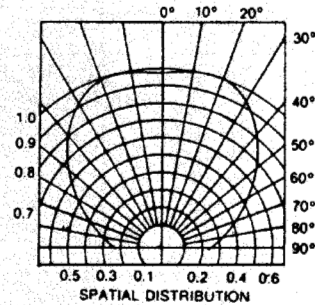
- ⊙ 3.0mm DIA LED LAMP
- ⊙ LOW POWER CONSUMPTION
- ⊙ LONG LIFE-SOLIDSTATE RELIABILITY
- ⊙ I. C. COMPATIBLE
- ⊙ TWO CHIPS ARE MATCHED FOR UNIFORM LIGHT OUTPUT

#### ◆ PACKAGE DIMENSIONS



#### Notes:

1. All Dimension are in millimeter.
2. Tolerance is  $\pm 0.25\text{mm}(0.010")$  unless otherwise specified.
3. Protruded resin under flange is 1.5mm(0.59") max.
4. Lead spacing is measured where the leads emerge from the package.
5. Specification are subject to change without notice.



#### ◆ SELECTION GUIDE AND APPLICATION INFORMATION ( RATINGS AT 25°C AMBIENT )

Part No.	Chip		Lens Color	Wave Length $\lambda$ p(nm)	Absolute Maximum Ratings				Electro-Optical Characteristics					View Angle (deg)	FIG.	
	Raw Material	Emitted Color			$\Delta$ nm	Pd mW	If mA	If (Peak)	Vf(V) Min.	Vf(V) Typ.	Vf(V) Max.	If (Rec)	Iv (mcd) Min.			Iv (mcd) Typ.
L-317HGW	GaP	Bright Red	White	700	90	45	15	50	1.7	2.1	2.8	5~10	2.0	5.0	120	1
	GaP	Green	Diffused	565	30	100	30	160	1.7	2.1	2.8	10~20	3.0	8.0		
L-317EGW	GaAsP/GaP	Hi.effi Red	White	635	45	100	30	160	1.7	2.0	2.8	10~20	5.0	12.0	120	2
	GaP	Green	Diffused	565	30	100	30	160	1.7	2.1	2.8	10~20	3.0	8.0		
L-317EYW	GaAsP/GaP	Hi.effi Red	White	635	45	100	30	160	1.7	2.0	2.8	10~20	5.0	12.0	120	3
	GaAsP/GaP	Yellow	Diffused	585	30	100	30	160	1.7	2.1	2.8	10~20	3.0	8.0		
L-317GYW	GaP	Green	White	565	30	100	30	160	1.7	2.1	2.8	10~20	3.0	8.0	120	4
	GaAsP/GaP	Yellow	Diffused	585	30	100	30	160	1.7	2.1	2.8	10~20	3.0	8.0		
L-317SRSGW	GaAlAs	Super Red	White	660	20	60	20	160	1.6	1.8	2.1	10~20	20.0	60.0	120	5
	GaP	Green	Diffused	565	30	100	30	160	1.7	2.1	2.8	10~20	8.0	20.0		
L-37HHD	GaP	Bright Red	Red Diffused	700	90	45	15	50	1.7	2.1	2.8	5~10	2.0	5.0	120	6
L-317EED	GaAsP/GaP	Hi.effi Red	Red Diffused	635	45	100	30	160	1.7	2.0	2.8	10~20	5.0	12.0	120	6
L-317EED-E	GaAsP/GaP	Orange	Orange Diffused	635	45	100	30	160	1.7	2.0	2.8	10~20	5.0	12.0	120	6
L-317GGD	GaP	Green	Yellow Diffused	565	30	100	30	160	1.7	2.1	2.8	10~20	3.0	8.0	120	6
L-317YYD	GaAsP/GaP	Yellow	Red Diffused	585	30	100	30	160	1.7	2.1	2.8	10~20	3.0	8.0	120	6
L-317AAD	GaAsP/GaP	Amber	Red Diffused	585	30	100	30	160	1.7	2.1	2.8	10~20	3.0	8.0	120	6
L-317SRSRD	GaAlAs	Super Red	Red Diffuse	660	20	60	20	160	1.6	1.8	2.1	10~20	8.0	20.0	120	6

#### ◆ ABSOLUTE MAXIMUM RATING: (Ta=25°C)

Reverse Voltage	: 5 Volt
Reverse Current( Vr = 5V )	: 10 $\mu$ A
Operating Temperature Range	: -40°C to +85°C
Storage Temperature Range	: -40°C to +100°C
Lead Soldering Temperature	: 260°C for 5 Seconds
(1.6mm(1/16inch) from body)	

#### ◆ ELECTRO-OPTICAL CHARACTERISTICS: (Ta=25°C)

Para meter Description	Symbol	Unit
Spectral Line half-Width	$\Delta \lambda$	nm
Power Dissipation	Pd	mW
Peak Forward Current (Duty 1/10,@KHz)	If(Peak)	mA
Recommended Operation Current	If(Rec)	mA
Average Luminous intensity (If = 10mA)	Iv	mcd