



Features

- 144 Pin JEDEC Standard, 8 Byte Small Outline Dual In-line Memory Module with 8 Byte busses
- 4M/8Mx64 Extended Data Out SO DIMM

• Performance:

		-50	-60
t_{RAC}	\overline{RAS} Access Time	50ns	60ns
t_{CAC}	\overline{CAS} Access Time	13ns	15ns
t_{AA}	Access Time From Address	25ns	30ns
t_{RC}	Cycle Time	84ns	104ns
t_{HPC}	EDO Mode Cycle Time	20ns	25ns

- All inputs and outputs are LVTTTL (3.3V) compatible
- Single 3.3V \pm 0.3V Power Supply

- Au contacts
- Optimized for byte-write non-parity applications
- System Performance Benefits:
 - Reduced noise (18 V_{SS} /18 V_{CC} pins)
 - Byte write, byte read accesses
 - Serial PDs
- Extended Data Out (EDO) Mode, Read-Modify-Write Cycles
- Refresh Modes: \overline{RAS} -Only, CBR Hidden Refresh, and Self Refresh
- 4096 refresh cycles distributed across 128ms
- 12/10 addressing (Row/Column)
- Card size: 2.66" x 1.0" x 0.149"
- DRAMS in TSOP Package

Description

IBM11T8645MP is an industry standard 144-pin 8-byte Small Outline Dual In-line Memory Module (SO DIMM) which is organized as an 8Mx64 high speed memory array designed for use in non-parity applications. The SO DIMM uses 8 4Mx16 EDO DRAMs in TSOP packages. The use of EDO DRAMs allows for a reduction in Page Mode Cycle time from 40ns (Fast Page) to 25ns for 60ns EDO modules.

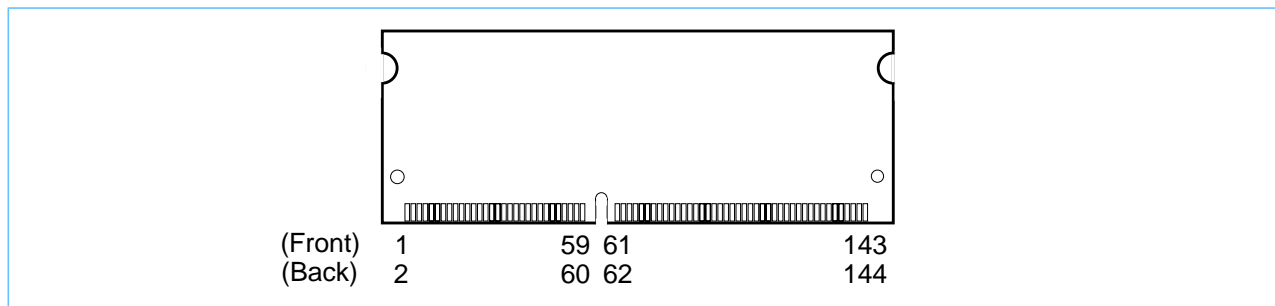
The IBM11T4645MP is a 4Mx64 half populated version manufactured with 4 4Mx16 TSOP devices.

This card uses Serial Presence Detects (SPDs) implemented via a serial EEPROM using the two pin

I²C Protocol. This communication protocol uses CLOCK (SCL) and DATA I/O (SDA) lines to synchronously clock data between the master (for example, the System Microprocessor) and the slave EEPROM device. The device address for the EEPROM is set to zero at the card. The first 128 bytes are utilized by the SO DIMM manufacturer and the second 128 bytes are available to the end user.

All IBM 144-pin SO DIMMs provide a high performance, flexible 8-byte interface in a 2.66" long space-saving footprint. Related products are the 1Mx64, 2Mx64, 8Mx64 (made with 8Mx8 DRAMs) and the x72 (ECC) SO DIMMs.

Card Outline





IBM11T4645MP
 IBM11T8645MP
 4M/8M x 64 144 PIN SO DIMM

Pin Description

RAS0	Row Address Strobe (4Mx64)
RAS1	Row Address Strobe (8Mx64)
CAS0 - CAS7	Column Address Strobe
WE	Read/write Input
OE	Output Enable
A0 - A11	Address Inputs
DQ0 - DQ63	Data Input/Output
V _{CC}	Power (3.3V)
V _{SS}	Ground
NC	No Connect
SCL	Serial Presence Detect Clock Input
SDA	Serial Presence Detect Data Input

Pinout

Pin#	Front Side	Pin#	Back Side	Pin#	Front Side	Pin#	Back Side
1	V _{SS}	2	V _{SS}	73	OE	74	NC
3	DQ0	4	DQ32	75	V _{SS}	76	V _{SS}
5	DQ1	6	DQ33	77	NC	78	NC
7	DQ2	8	DQ34	79	NC	80	NC
9	DQ3	10	DQ35	81	V _{CC}	82	V _{CC}
11	V _{CC}	12	V _{CC}	83	DQ16	84	DQ48
13	DQ4	14	DQ36	85	DQ17	86	DQ49
15	DQ5	16	DQ37	87	DQ18	88	DQ50
17	DQ6	18	DQ38	89	DQ19	90	DQ51
19	DQ7	20	DQ39	91	V _{SS}	92	V _{SS}
21	V _{SS}	22	V _{SS}	93	DQ20	94	DQ52
23	CAS0	24	CAS4	95	DQ21	96	DQ53
25	CAS1	26	CAS5	97	DQ22	98	DQ54
27	V _{CC}	28	V _{CC}	99	DQ23	100	DQ55
29	A0	30	A3	101	V _{CC}	102	V _{CC}
31	A1	32	A4	103	A6	104	A7
33	A2	34	A5	105	A8	106	A11
35	V _{SS}	36	V _{SS}	107	V _{SS}	108	V _{SS}
37	DQ8	38	DQ40	109	A9	110	A12
39	DQ9	40	DQ41	111	A10	112	A13
41	DQ10	42	DQ42	113	V _{CC}	114	V _{CC}
43	DQ11	44	DQ43	115	CAS2	116	CAS6
45	V _{CC}	46	V _{CC}	117	CAS3	118	CAS7
47	DQ12	48	DQ44	119	V _{SS}	120	V _{SS}
49	DQ13	50	DQ45	121	DQ24	122	DQ56
51	DQ14	52	DQ46	123	DQ25	124	DQ57
53	DQ15	54	DQ47	125	DQ26	126	DQ58
55	V _{SS}	56	V _{SS}	127	DQ27	128	DQ59
57	NC	58	NC	129	V _{CC}	130	V _{CC}
59	NC	60	NC	131	DQ28	132	DQ60
VOLTAGE KEY				133	DQ29	134	DQ61
61	DU	62	DU	135	DQ30	136	DQ62
63	V _{CC}	64	V _{CC}	137	DQ31	138	DQ63
65	DU	66	DU	139	V _{SS}	140	V _{SS}
67	WE	68	NC	141	SDA	142	SCL
69	RAS0	70	NC	143	V _{CC}	144	V _{CC}
71	RAS1	72	NC				

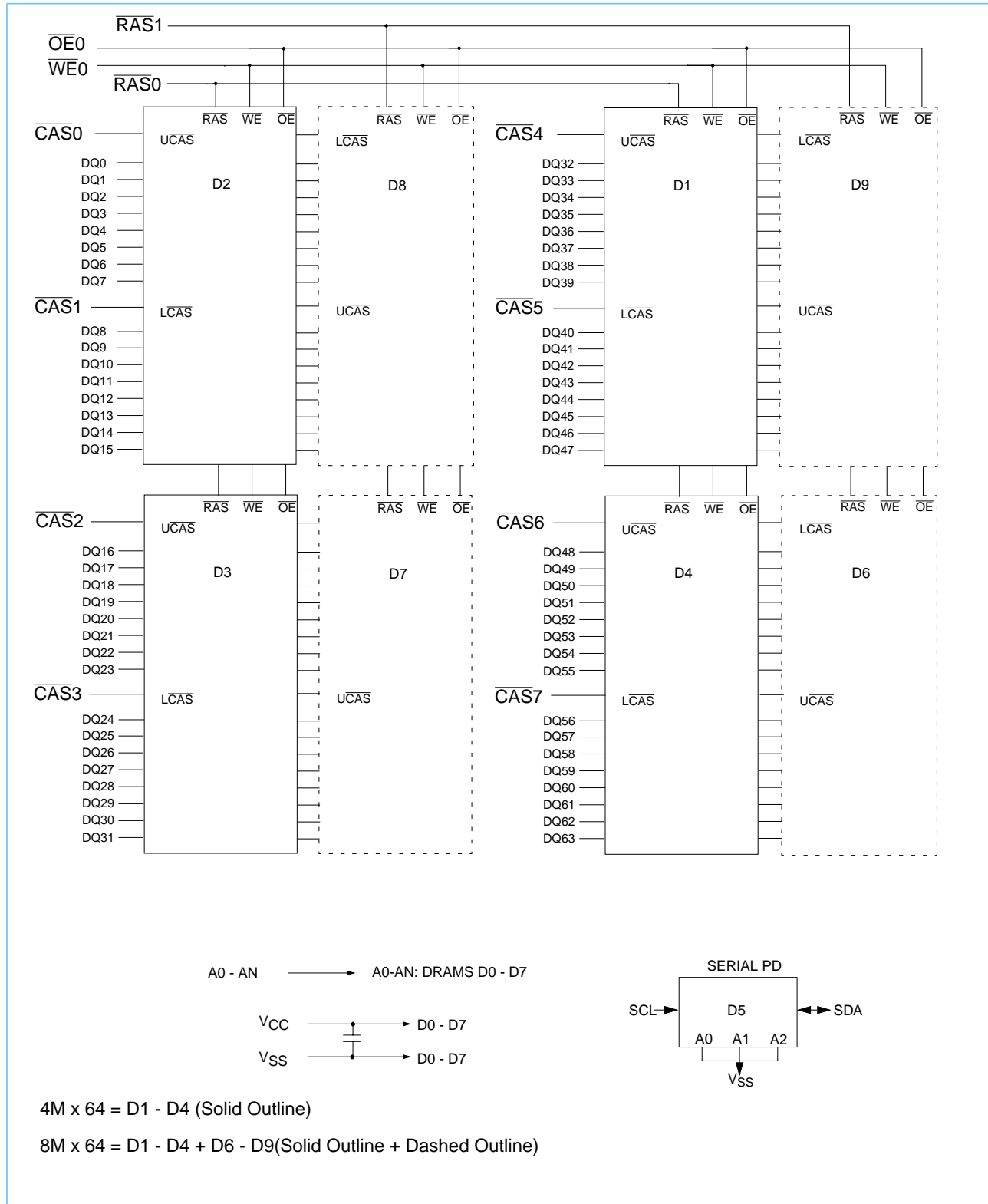
Note: All pin assignments are consistent for all 8 Byte versions.

Ordering Information

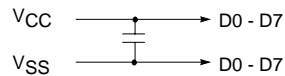
Part Number	Organization	Speed	Leads	Dimension	Power
IBM 11T4645MP-50T	4Mx64	50ns	Au	2.66"x1.0"x 0.149"	3.3V
IBM11T4645MP-60T	4Mx64	60ns	Au	2.66"x1.0"x 0.149"	3.3V
IBM11T8645MP-50T	8Mx64	50ns	Au	2.66"x1.0"x 0.149"	3.3V
IBM11T8645MP-60T	8Mx64	60ns	Au	2.66"x1.0"x 0.149"	3.3V



Block Diagram

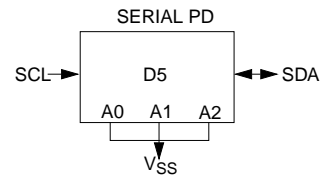


A0 - AN → A0-AN: DRAMS D0 - D7



4M x 64 = D1 - D4 (Solid Outline)

8M x 64 = D1 - D4 + D6 - D9(Solid Outline + Dashed Outline)





IBM11T4645MP
 IBM11T8645MP
 4M/8M x 64 144 PIN SO DIMM

Truth Table

Function	$\overline{\text{RAS}}$	$\overline{\text{CAS}}$	$\overline{\text{WE}}$	$\overline{\text{OE}}$	Row Address	Column Address	DQx	
Standby	H	X	X	X	X	X	High Impedance	
Read	L	L	H	L	Row	Col	Valid Data Out	
Early-Write	L	L	L	X	Row	Col	Valid Data In	
Late-Write	L	L	H→L	H	Row	Col	Valid Data In	
RMW	L	L	H→L	L→H	Row	Col	Valid Data In/Out	
EDO Page Mode - Read 1st Cycle	L	H→L	H	L	Row	Col	Valid Data Out	
Subsequent Cycles	L	H→L	H	L	N/A	Col	Valid Data Out	
EDO Page Mode - Write 1st Cycle	L	H→L	L	X	Row	Col	Valid Data In	
Subsequent Cycles	L	H→L	L	X	N/A	Col	Valid Data In	
EDO Page Mode - RMW 1st Cycle	L	H→L	H→L	L→H	Row	Col	Valid Data In/Out	
Subsequent Cycles	L	H→L	H→L	L→H	N/A	Col	Valid Data In/Out	
$\overline{\text{RAS}}$ -Only Refresh	L	H	X	X	Row	N/A	High Impedance	
$\overline{\text{CAS}}$ -Before- $\overline{\text{RAS}}$ Refresh	H→L	L	H	X	X	X	High Impedance	
Hidden Refresh	Read	L→H→L	L	H	L	Row	Col	Data Out
	Write	L→H→L	L	H	X	Row	Col	Data In
Self Refresh	H→L	L	H	X	X	X	High Impedance	



Serial Presence Detect

Byte #	Description		SPD Entry Value	Serial PD Data Entry (Hexadecimal)	Notes
0	Number of Serial PD Bytes Written during Production		128	80	
1	Total Number of Bytes in Serial PD device		256	08	
2	Fundamental Memory Type		EDO	02	
3	Number of Row Addresses on Assembly		12	0C	
4	Number of Column Addresses on Assembly		10	0A	
5	Number of DIMM Banks	4Mx64	1	01	
		8Mx64	2	02	
6 - 7	Data Width of Assembly		x64	4000	
8	Voltage Interface Level of this Assembly		LVTTTL	01	
9	RAS Access		50ns	32	
			60ns	3C	
10	CAS Access		13ns	0D	
			15ns	0F	
11	DIMM Configuration Type		Non-Parity	00	
12	Refresh Rate/Type		SR/2X (31.3 us)	83	
13	Primary DRAM Data Width		x16	10	
14	Error Checking DRAM Data Width		N/A	00	
15 - 62	Reserved		Undefined	00	
63	Checksum for bytes 0 - 62		Checksum Data	cc	1
64 - 71	Manufacturers' JEDEC ID Code		IBM	A400000000000000	
72	Module Manufacturing Location		Toronto, Canada	91	
			Vimercate, Italy	53	
73 - 90	Module Part Number	4Mx64	ASCII '11T4645MP"R"-50T'	313154343634354D50rr2D 35305420202020	2, 3
			ASCII '11T4645MP"R"-60T'	313154343634354D50rr2D 36305420202020	
		8Mx64	ASCII '11T8645MP"R"-50T'	313154383634354D50rr2D 35305420202020	
			ASCII '11T8645MP"R"-60T'	313154383634354D50rr2D 36305420202020	
91 - 92	Module Revision Code		"R" plus ASCII blank	rr20	
93 - 94	Module Manufacturing Date		Year/Week Code	yyww	4, 5
95 - 98	Module Serial Number		Serial Number	ssssssss	6
99 - 127	Reserved		Undefined	00	
128 - 255	Open for Customer Use		Undefined	00	

1. cc = Checksum Data byte, 00-FF (Hex)
2. "R" = Alphanumeric revision code, A-Z, 0-9
3. rr = ASCII coded revision code "R"
4. yy = Binary coded decimal year code, 00-99 (Decimal) → 00-63 (Hex)
5. ww = Binary coded decimal week code, 01-52 (Decimal) → 01-34 (Hex)
6. ss = Serial number data byte, 00-FF (Hex)



IBM11T4645MP
 IBM11T8645MP
 4M/8M x 64 144 PIN SO DIMM

Absolute Maximum Ratings

Symbol	Parameter	Rating	Units	Notes
V _{CC}	Power Supply Voltage	-0.5 to +4.6	V	1
V _{IN}	Input Voltage	-0.5 to min (V _{CC} + 0.5, 4.6)	V	1
V _{IN/OUT(SPD)}	Input Voltage(Serial PD Device)	-0.3 to 6.5	V	1
V _{OUT}	Output Voltage	-0.5 to min (V _{CC} + 0.5, 4.6)	V	1
T _{OPR}	Operating Temperature	0 to +70	°C	1
T _{STG}	Storage Temperature	-55 to +150	°C	1
P _D	Power Dissipation	2.1	W	1
I _{OUT}	Short Circuit Output Current	50	mA	1

1. Stresses greater than those listed may cause permanent damage to the device. This is a stress rating only and functional operation of the device at these or any other conditions above those indicated is not implied. Exposure to absolute maximum rating condition for extended periods may affect reliability.

Recommended DC Operating Conditions (T_A = 0 to 70°C)

Symbol	Parameter	Min	Typ	Max	Units	Notes
V _{CC}	Supply Voltage	3.0	3.3	3.6	V	1
V _{IH}	Input High Voltage	2.0	—	V _{CC} + 0.5	V	1, 2
V _{IH(SPD)}	Input High Voltage(Serial PD Device)	V _{CC} x 0.7	—	V _{CC} + 0.5	V	1, 2
V _{IL}	Input Low Voltage	-0.5	—	0.8	V	1, 2
V _{IL(SPD)}	Input Low Voltage(Serial PD Device)	-0.3	—	V _{CC} x 0.3	V	1, 2
V _{OL(SPD)}	Output Low Voltage(Serial PD Device) I _{OL} = 3ma	—	—	0.4	V	

1. All voltages referenced to V_{SS}.
 2. V_{IH} may overshoot to V_{CC} + 1.2V for pulse widths of ≤ 4.0ns . Additionally, V_{IL} may undershoot to -1.2V for pulse widths ≤ 4.0ns. Pulse widths measured at 50% points with amplitude measured peak to DC reference.

Capacitance (T_A = 0 to +70°C, V_{CC} = 3.3V ± 0.3V)

Symbol	Parameter	4M x 64	8M x 64	Units
		Max	Max	
C _{I1}	Input Capacitance (A0-A9)	30	50	pF
C _{I2}	Input Capacitance ($\overline{\text{RAS}}$, $\overline{\text{WE}}$, $\overline{\text{OE}}$)	40	68	pF
C _{I3}	Input Capacitance ($\overline{\text{CAS}}$)	12	18	pF
C _{I4}	Input Capacitance ($\overline{\text{SCL}}$)	8	8	pF
C _{IO1}	Input/Output Capacitance (DQ0-63)	11	18	pF
C _{IO2}	Input/Output Capacitance (SDA)	10	10	pF



DC Electrical Characteristics ($T_A = 0$ to $+70^\circ\text{C}$, $V_{CC} = 3.3\text{V} \pm 0.3\text{V}$)

Symbol	Parameter	4M x 64		8M x 64		Units	Notes
		Min	Max	Min.	Max.		
I_{CC1}	Operating Current Average Power Supply Operating Current (RAS, CAS, Address Cycling: $t_{RC} = t_{RC}$ min.)	-50	—	560	—	560	mA 1, 2, 3
		-60	—	460	—	460	
I_{CC2}	Standby Current (TTL) Power Supply Standby Current (RAS = CAS = V_{IH})	—	8.1	—	16.1	mA	
I_{CC3}	$\overline{\text{RAS}}$ Only Refresh Current Average Power Supply Current, $\overline{\text{RAS}}$ Only Mode (RAS Cycling, CAS = V_{IH} : $t_{RC} = t_{RC}$ min)	-50	—	560	—	560	mA 1, 3, 4
		-60	—	460	—	460	
I_{CC4}	EDO Page Mode Current Average Power Supply Current, EDO Page Mode (RAS = V_{IL} , CAS, Address Cycling: $t_{PC} = t_{PC}$ min)	-50	—	420	—	420	mA 1, 2, 3
		-60	—	340	—	340	
I_{CC5}	Standby Current (CMOS) Power Supply Standby Current (RAS = CAS = $V_{CC} - 0.2\text{V}$)	—	.90	—	1.7	mA	
I_{CC6}	$\overline{\text{CAS}}$ Before RAS Refresh Current Average Power Supply Current during Self Refresh CBR cycle with RAS, $\overline{\text{CAS}}$, Cycling: $t_{RC} = t_{RC}$ min)	-50	—	560	—	560	mA 1, 4
		-60	—	460	—	460	
I_{CC7}	Self Refresh Current Average Power Supply Current during Self Refresh CBR cycle with RAS $\geq t_{RASS}$ (min); $\overline{\text{CAS}}$ held low; $\overline{\text{WE}} = V_{CC} - 0.2\text{V}$; Addresses and $D_{IN} = V_{CC} - 0.2\text{V}$ OR 0.2.	—	1.7	—	3.3	mA	4
$I_{I(L)}$	Input Leakage Current Input Leakage Current, any input ($0.0 \leq V_{IN} \leq (V_{CC} + 0.3\text{V})$), All Other Pins Not Under Test = 0V x=y	RAS, WE, OE, ADD	-40	+40	-80	+80	μA
		$\overline{\text{CAS}}$	-10	+10	-10	+10	
$I_{O(L)}$	Output Leakage Current (D_{OUT} is disabled, $0.0 \leq V_{OUT} \leq V_{CC}$)	-10	+10	-10	+10	μA	
V_{OH}	Output Level (TTL) Output "H" Level Voltage ($I_{OUT} = -5\text{mA}$)	2.4	V_{CC}	2.4	V_{CC}	V	
V_{OL}	Output Level (TTL) Output "L" Level Voltage ($I_{OUT} = +4.2\text{mA}$)	0.0	0.4	0.0	0.4	V	

- I_{CC1} , I_{CC3} , I_{CC4} and I_{CC6} depend on cycle rate.
- I_{CC1} and I_{CC4} depend on output loading. Specified values are obtained with the output open.
- Address can be changed once or less while RAS = V_{IL} . In the case of I_{CC4} , it can be changed once or less when $\overline{\text{CAS}} = V_{IH}$.
- Refresh current is specified for one bank.



IBM11T4645MP
 IBM11T8645MP
 4M/8M x 64 144 PIN SO DIMM

AC Characteristics (T_A = 0 to +70°C, V_{CC} = 3.3V ± 0.3V)

1. An initial pause of 200μs is required after power-up followed by 8 $\overline{\text{RAS}}$ only refresh cycles before proper device operation is achieved. In case of using the internal refresh counter, a minimum of 8 CAS before $\overline{\text{RAS}}$ refresh cycles instead of 8 $\overline{\text{RAS}}$ only refresh cycles is required.
2. AC measurements assume t_T=2ns.
3. V_{IH}(min.) and V_{IL}(max.) are reference levels for measuring timing of input signals. Also, transition times are measured between V_{IH} and V_{IL}.
4. Valid column addresses are A0 through A9.

Read, Write, Read-Modify-Write and Refresh Cycles (Common Parameters)

Symbol	Parameter	-50		-70		Unit	Notes
		Min	Max	Min	Max		
t _{RC}	Random Read or Write Cycle Time	84	—	104	—	ns	
t _{RP}	$\overline{\text{RAS}}$ Precharge Time	30	—	40	—	ns	
t _{CP}	$\overline{\text{CAS}}$ Precharge Time	8	—	10	—	ns	
t _{RAS}	$\overline{\text{RAS}}$ Pulse Width	50	100k	60	100k	ns	
t _{CAS}	$\overline{\text{CAS}}$ Pulse Width	8	100k	10	100k	ns	
t _{ASR}	Row Address Setup Time	0	—	0	—	ns	
t _{RAH}	Row Address Hold Time	7	—	10	—	ns	
t _{ASC}	Column Address Setup Time	0	—	0	—	ns	
t _{CAH}	Column Address Hold Time	7	—	10	—	ns	
t _{RCD}	$\overline{\text{RAS}}$ to $\overline{\text{CAS}}$ Delay Time	11	37	14	45	ns	1
t _{RAD}	$\overline{\text{RAS}}$ to Col. Address Delay Time	9	25	12	30	ns	2
t _{RSH}	$\overline{\text{RAS}}$ Hold Time	8	—	10	—	ns	
t _{CSH}	$\overline{\text{CAS}}$ Hold Time	40	—	50	—	ns	
t _{CRP}	$\overline{\text{CAS}}$ to $\overline{\text{RAS}}$ Precharge Time	5	—	5	—	ns	
t _{OED}	$\overline{\text{OE}}$ to D _{IN} Delay Time	13	—	15	—	ns	3
t _{DZO}	$\overline{\text{OE}}$ Delay Time From D _{IN}	0	—	0	—	ns	4
t _{DZC}	$\overline{\text{CAS}}$ Delay Time From D _{IN}	0	—	0	—	ns	4
t _T	Transition Time (Rise and Fall)	1	50	1	50	ns	

1. Operation within the t_{RCD}(max) limit ensures that t_{RAC}(max) can be met. The t_{RCD}(max) is specified as a reference point only: If t_{RCD} is greater than the specified t_{RCD}(max) limit, then access time is controlled by t_{CAC}.
2. Operation within the t_{RAD}(max) limit ensures that t_{RAC}(max) can be met. The t_{RAD}(max) is specified as a reference point only: If t_{RAD} is greater than the specified t_{RAD}(max) limit, then access time is controlled by t_{AA}.
3. Either t_{CDD} or t_{OED} must be satisfied.
4. Either t_{DZC} or t_{DZO} must be satisfied.



Write Cycle

Symbol	Parameter	-50		-60		Unit	Notes
		Min	Max	Min	Max		
t_{WCS}	Write Command Set Up Time	0	—	0	—	ns	1
t_{WCH}	Write Command Hold Time	7	—	10	—	ns	
t_{WP}	Write Command Pulse Width	7	—	10	—	ns	
t_{RWL}	Write Command to \overline{RAS} Lead Time	8	—	10	—	ns	
t_{CWL}	Write Command to \overline{CAS} Lead Time	8	—	10	—	ns	
t_{DS}	D_{IN} Setup Time	0	—	0	—	ns	2
t_{DH}	D_{IN} Hold Time	7	—	10	—	ns	2

1. t_{WCS} , t_{RWD} , t_{CWD} , t_{AWD} , and t_{CPW} are not restrictive parameters. They are included in the data sheet as electrical characteristics only. If $t_{WCS} \geq t_{WCS}(\text{min.})$, the entire cycle is an early write cycle and the data pin will remain open circuit (high impedance) through the entire cycle; If $t_{RWD} \geq t_{RWD}(\text{min.})$, $t_{CWD} \geq t_{CWD}(\text{min.})$, $t_{AWD} \geq t_{AWD}(\text{min.})$ and $t_{CPW} \geq t_{CPW}(\text{min.})$ (Fast Page Mode), the cycle is a Read-Modify-Write cycle and the data will contain read from the selected cell: If neither of the above sets of conditions are met, the condition of the data (at access time) is indeterminate.
2. These parameters are referenced to \overline{CAS} leading edge in early write cycles and to \overline{WE} leading edge in Read-Modify-Write cycles.



IBM11T4645MP
 IBM11T8645MP
 4M/8M x 64 144 PIN SO DIMM

Read Cycle

Symbol	Parameter	-50		-60		Unit	Notes
		Min	Max	Min	Max		
t_{RAC}	Access Time from \overline{RAS}	—	50	—	60	ns	1, 2, 3
t_{CAC}	Access Time from \overline{CAS}	—	13	—	15	ns	1, 3
t_{AA}	Access Time from Address	—	25	—	30	ns	1, 3
t_{OEA}	Access Time From \overline{OE}	—	13	—	15	ns	3
t_{RCS}	Read Command Setup Time	0	—	0	—	ns	
t_{RCH}	Read Command Hold Time to \overline{CAS}	0	—	0	—	ns	4
t_{RRH}	Read Command Hold Time to \overline{RAS}	0	—	0	—	ns	
t_{RAL}	Column Address to \overline{RAS} Lead Time	25	—	30	—	ns	
t_{CLZ}	\overline{CAS} to Output in Low-Z	0	—	0	—	ns	3
t_{OEZ}	Output Buffer Turn-Off Delay From \overline{OE}	0	13	0	15	ns	5
t_{CDD}	\overline{CAS} to D_{IN} Delay Time	13	—	15	—	ns	6
t_{OFF}	Output Buffer Turn-Off Delay	0	13	0	15	ns	5
t_{OES}	\overline{OE} Setup Time Prior to \overline{CAS}	5	—	5	—	ns	
t_{ORD}	\overline{OE} Setup Time Prior to \overline{RAS} (Hidden Refresh)	0	—	0	—	ns	

1. Operation within the $t_{RCD}(\max.)$ limit ensures that $t_{RAC}(\max.)$ can be met. $t_{RCD}(\max.)$ is specified as a reference point only. If t_{RCD} is greater than the specified $t_{RCD}(\max.)$ limit, then access time is controlled by t_{CAC} .
2. Operation within the $t_{RAD}(\max.)$ limit ensures that $t_{RAC}(\max.)$ can be met. $t_{RAD}(\max.)$ is specified as a reference point only. If t_{RAD} is greater than the specified $t_{RAD}(\max.)$ limit, then access time is controlled by t_{AA} .
3. Measured with the specified current load and 100pF at $V_{OL} = 0.8V$ and $V_{OH} = 2.0V$.
4. Either t_{RCH} or t_{RRH} must be satisfied for a read cycle.
5. $t_{OFF}(\max)$ and $t_{OEZ}(\max)$ define the time at which the output achieves the open circuit condition and is not referenced to output voltage levels.
6. Either t_{CDD} or t_{OED} must be satisfied.



Read-Modify-Write Cycle

Symbol	Parameter	-50		-60		Unit	Notes
		Min	Max	Min	Max		
t_{RWC}	Read-Modify-Write Cycle Time	109	—	135	—	ns	
t_{RWD}	\overline{RAS} to \overline{WE} Delay Time	65	—	79	—	ns	1
t_{CWD}	\overline{CAS} to \overline{WE} Delay Time	28	—	34	—	ns	1
t_{AWD}	Column Address to \overline{WE} Delay Time	40	—	49	—	ns	1
t_{OEH}	\overline{OE} Command Hold Time	7	—	10	—	ns	

1. t_{WCS} , t_{RWD} , t_{CWD} , t_{AWD} , and t_{CPW} are not restrictive parameters. They are included in the data sheet as electrical characteristics only. If $t_{WCS} \geq t_{WCS}(\text{min.})$, the entire cycle is an early write cycle and the data pin will remain open circuit (high impedance) through the entire cycle; If $t_{RWD} \geq t_{RWD}(\text{min.})$, $t_{CWD} \geq t_{CWD}(\text{min.})$, $t_{AWD} \geq t_{AWD}(\text{min.})$ and $t_{CPW} \geq t_{CPW}(\text{min.})$ (Fast Page Mode), the cycle is a Read-Modify-Write cycle and the data will contain read from the selected cell: If neither of the above sets of conditions are met, the condition of the data (at access time) is indeterminate.

EDO Mode Cycle

Symbol	Parameter	-50		-60		Units	Notes
		Min.	Max.	Min.	Max.		
t_{HCAS}	\overline{CAS} Pulse Width (Hyper Page Mode)	8	100K	10	10K	ns	
t_{HPC}	Hyper Page Mode Cycle Time (Read/Write)	20	—	25	—	ns	
t_{HPRWC}	Hyper Page Mode Read Modify Write Cycle Time	54	—	66	—	ns	
t_{DOH}	Data-out Hold Time from \overline{CAS}	5	—	5	—	ns	
t_{WHZ}	Output buffer Turn-Off Delay from \overline{WE}	0	10	0	10	ns	
t_{WPZ}	\overline{WE} Pulse Width to Output Disable at \overline{CAS} High	7	—	10	—	ns	
t_{CPRH}	\overline{RAS} Hold Time from \overline{CAS} Precharge	27	—	35	—	ns	
t_{CPA}	Access Time from \overline{CAS} Precharge	—	27	—	35	ns	1
t_{RASP}	Hyper Page Mode \overline{RAS} Pulse Width	50	200K	60	200K	ns	
t_{OEP}	\overline{OE} High Pulse Width	5	—	10	—	ns	
t_{OEHC}	\overline{OE} High Hold Time from \overline{CAS} High	5	—	10	—	ns	

1. Measured with the specified current load and 100pF at $V_{OL} = 0.8V$ and $V_{OH} = 2.0V$.



IBM11T4645MP
 IBM11T8645MP
 4M/8M x 64 144 PIN SO DIMM

Refresh Cycle

Symbol	Parameter	-50		-60		Unit	Notes
		Min	Max	Min	Max		
t_{CSR}	\overline{CAS} Setup Time (\overline{CAS} before \overline{RAS} Refresh Cycle)	5	—	5	—	ns	
t_{CHR}	\overline{CAS} Hold Time (\overline{CAS} before \overline{RAS} Refresh Cycle)	5	—	10	—	ns	
t_{WRP}	\overline{WE} Setup Time (\overline{CAS} before \overline{RAS} Refresh Cycle)	5	—	10	—	ns	
t_{WRH}	\overline{WE} Hold Time (\overline{CAS} before \overline{RAS} Refresh Cycle)	5	—	10	—	ns	
t_{RPC}	\overline{RAS} Precharge to \overline{CAS} Hold Time	5	—	5	—	ns	
t_{REF}	Refresh Period	—	128	—	128	ms	1

1. 4096 refreshes are required every 128ms.

Self Refresh Cycle

Symbol	Parameter	-50		-60		Unit	Notes
		Min	Max	Min	Max		
t_{RASS}	\overline{RAS} Pulse Width During Self Refresh Cycle	100	—	100	—	μ s	1
t_{RPS}	\overline{RAS} Precharge Time During Self Refresh Cycle	84	—	104	—	ns	1
t_{CHS}	\overline{CAS} Hold Time During Self Refresh Cycle	-50	—	-50	—	ns	1

1. When using Self Refresh mode, the following refresh operations must be performed to ensure proper DRAM operation: If row addresses are being refreshed in an EVENLY DISTRIBUTED manner over the refresh interval using CBR refresh cycles, then only one CBR cycle must be performed immediately after exit from Self Refresh. If row addresses are being refreshed in any other manner (ROR - Distributed/Burst; or CBR-Burst) over the refresh interval, then a full set of row refreshes must be performed immediately before entry to and immediately after exit from Self Refresh.



Presence Detect Read and Write Cycle

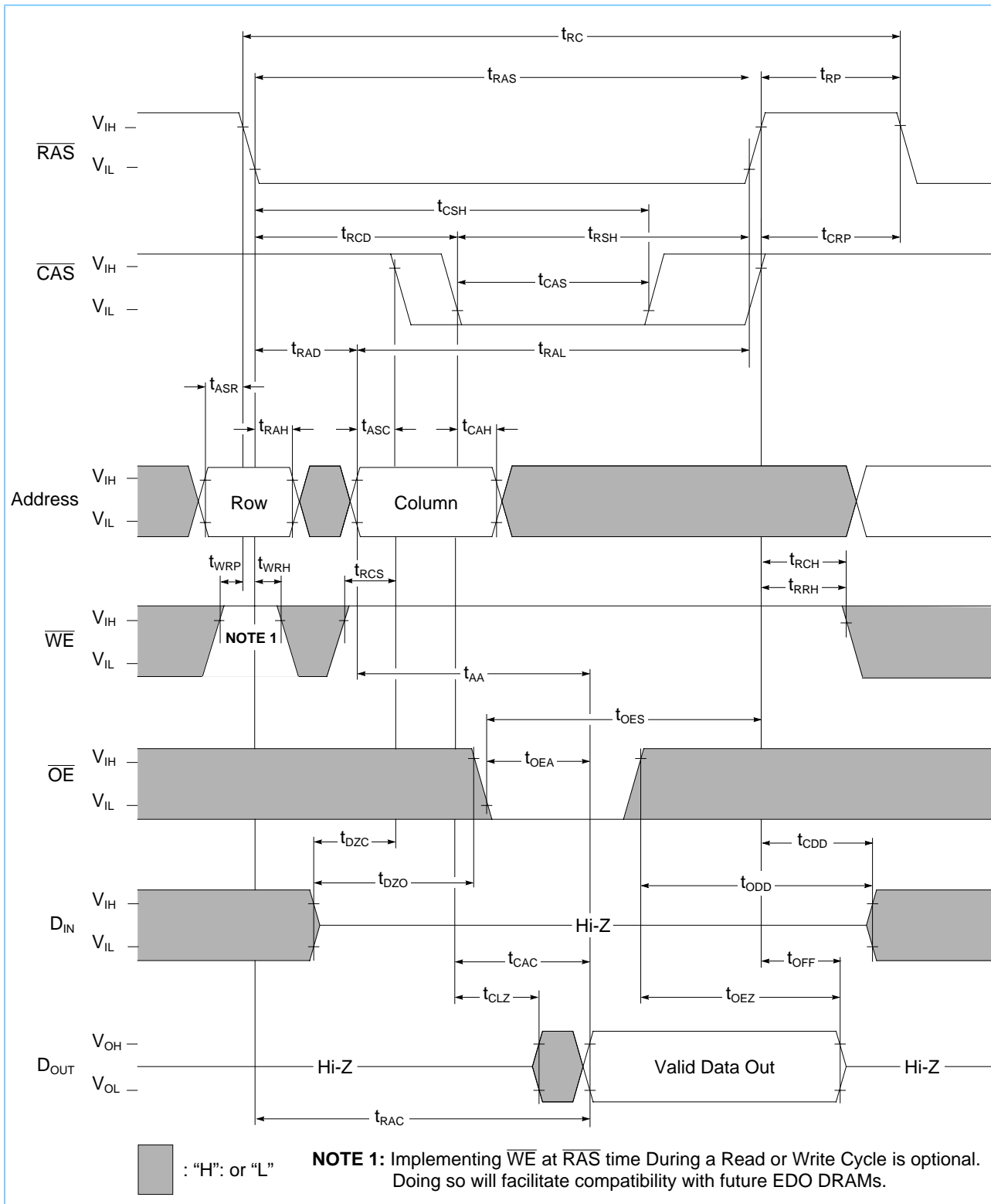
Symbol	Parameter	Min	Max	Unit	Notes
f_{SCL}	SCL Clock Frequency		80	KHZ	
T_I	Noise Suppression Time Constant at SCL, SDA Inputs		100	ns	
t_{AA}	SCL Low to SDA Data Out Valid	0.3	7.0	μ s	
t_{BUF}	Time the Bus Must Be Free before a New Transmission Can Start	6.7		μ s	
$t_{HD:STA}$	Start Condition Hold Time	4.5		μ s	
t_{LOW}	Clock Low Period	6.7		μ s	
t_{HIGH}	Clock High Period	4.5		μ s	
$t_{SU:STA}$	Start Condition Setup Time(for a Repeated Start Condition)	6.7		μ s	
$t_{HD:DAT}$	Data in Hold Time	0		μ s	
$t_{SU:DAT}$	Data in Setup Time	500		ns	
t_r	SDA and SCL Rise Time		1	μ s	
t_f	SDA and SCL Fall Time		300	ns	
$t_{SU:STO}$	Stop Condition Setup Time	6.7		μ s	
t_{DH}	Data Out Hold Time	300		ns	
t_{WR}	Write Cycle Time		15	ms	1

1. The write cycle time(t_{WR}) is the time from a valid stop condition of a write sequence to the end of the internal erase/program cycle. During the write cycle, the bus interface circuits are disabled, SDA is allowed to remain high per the bus-level pull-up resistor, and the device does not respond to its slave address.



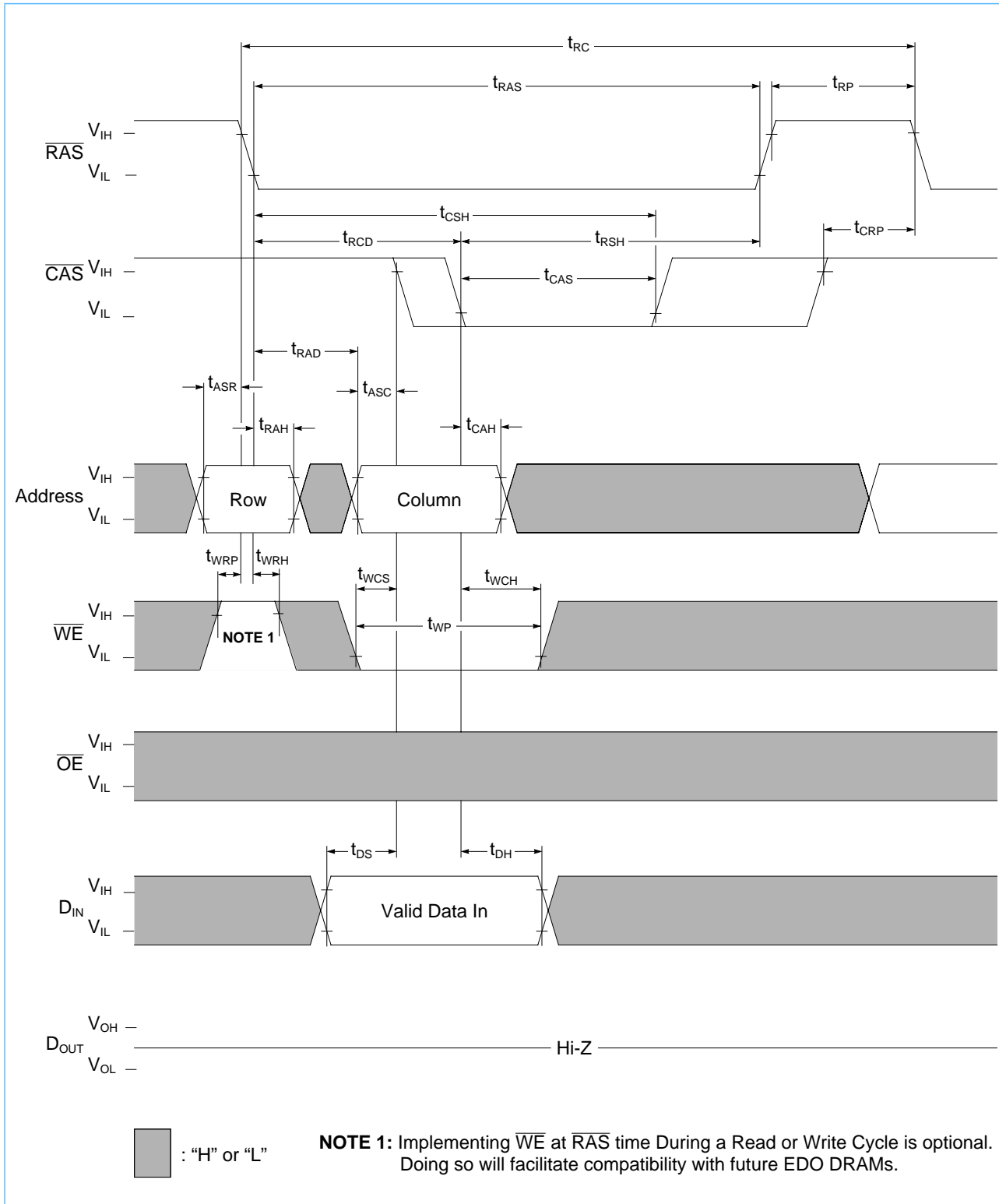
IBM11T4645MP
 IBM11T8645MP
 4M/8M x 64 144 PIN SO DIMM

Read Cycle





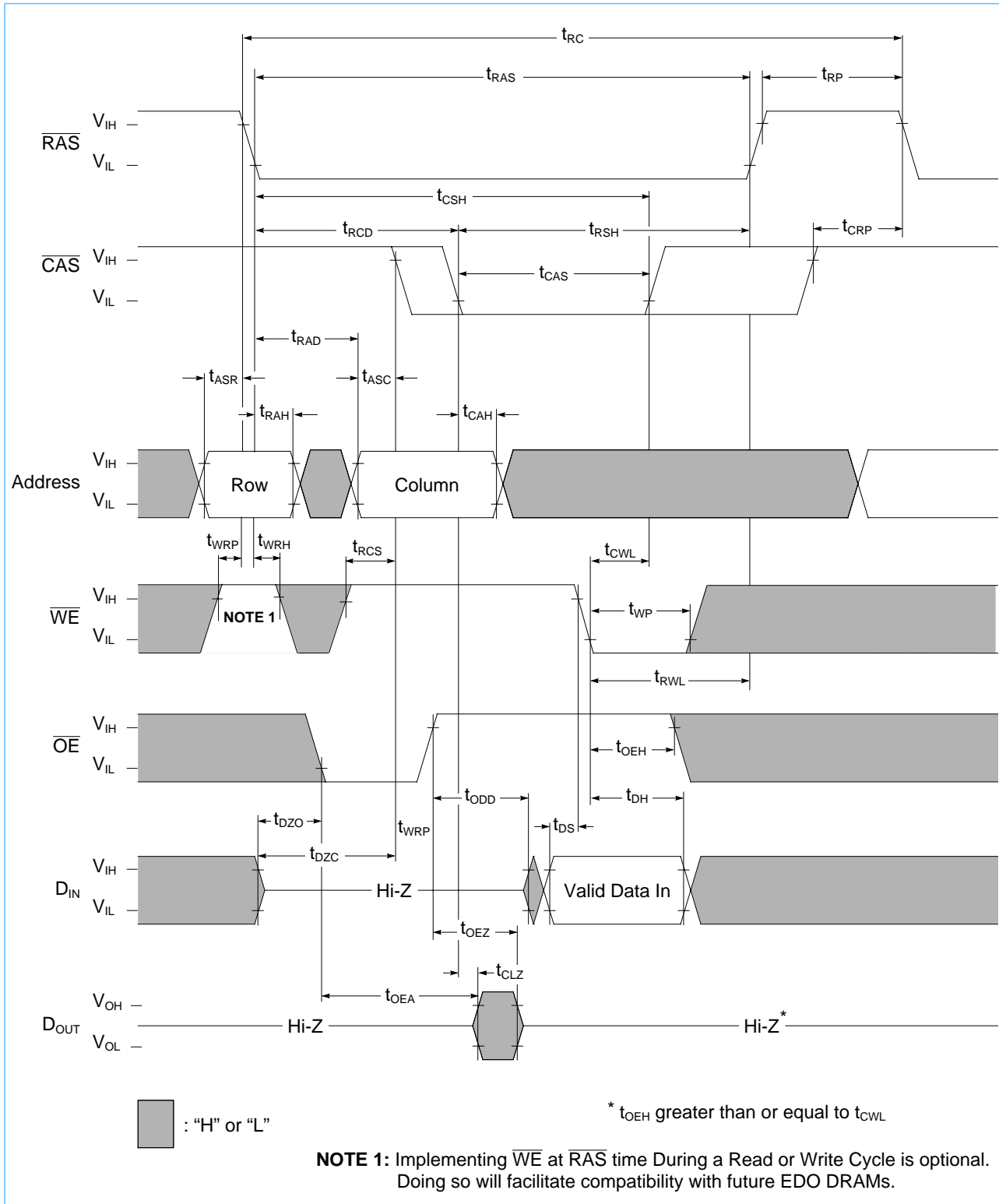
Write Cycle (Early Write)





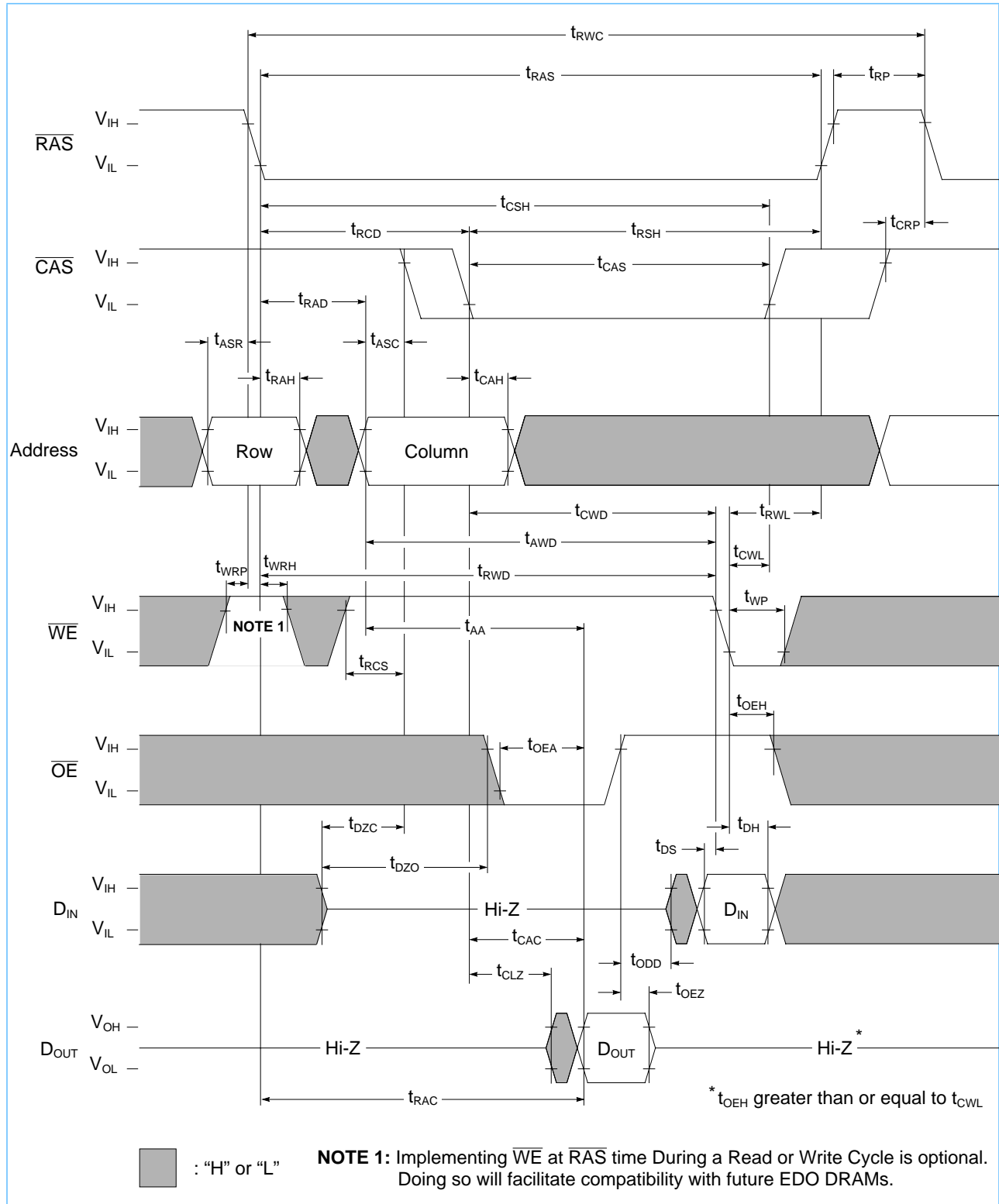
IBM11T4645MP
 IBM11T8645MP
 4M/8M x 64 144 PIN SO DIMM

Write Cycle (Late Write)





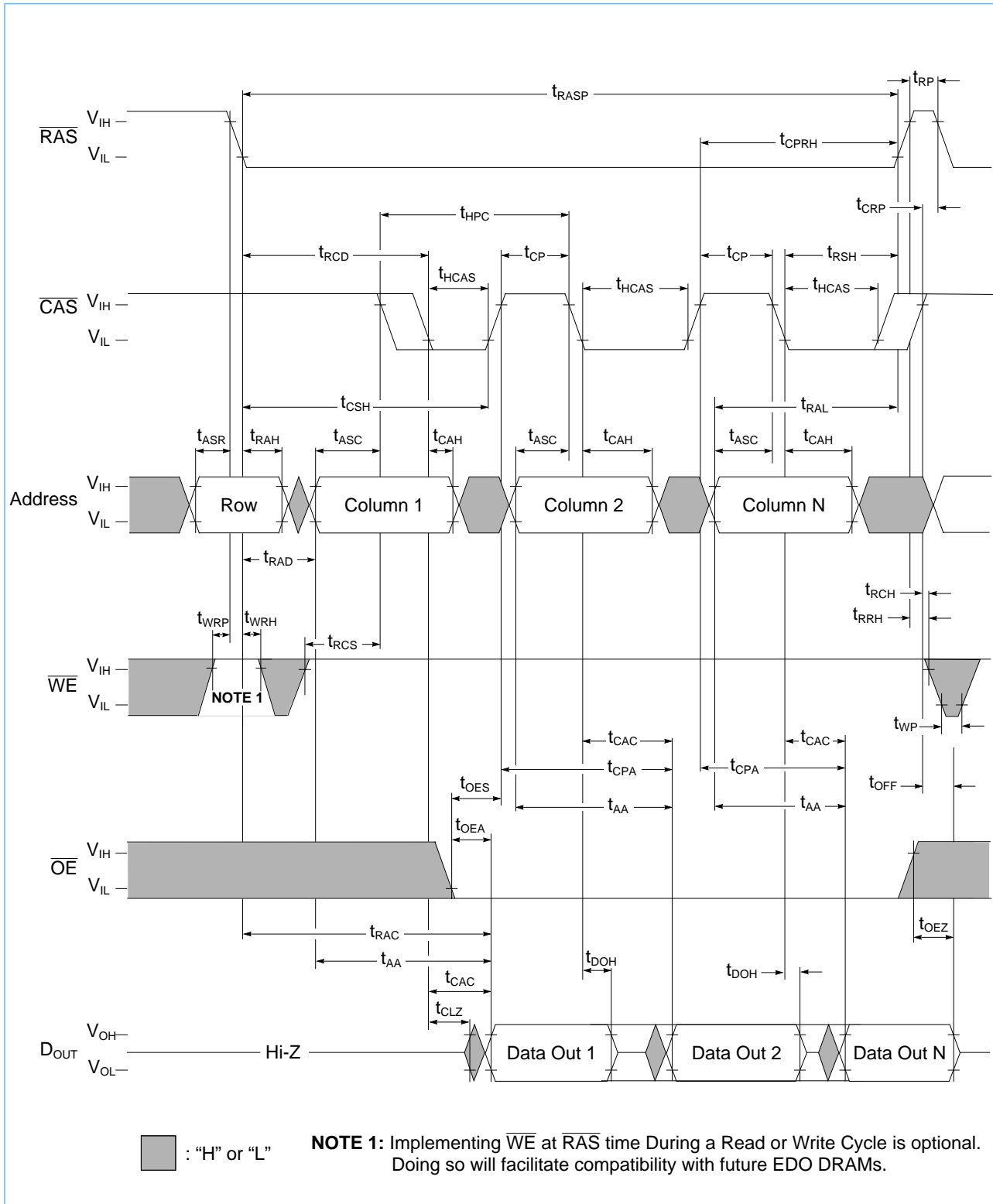
Read-Modify-Write-Cycle





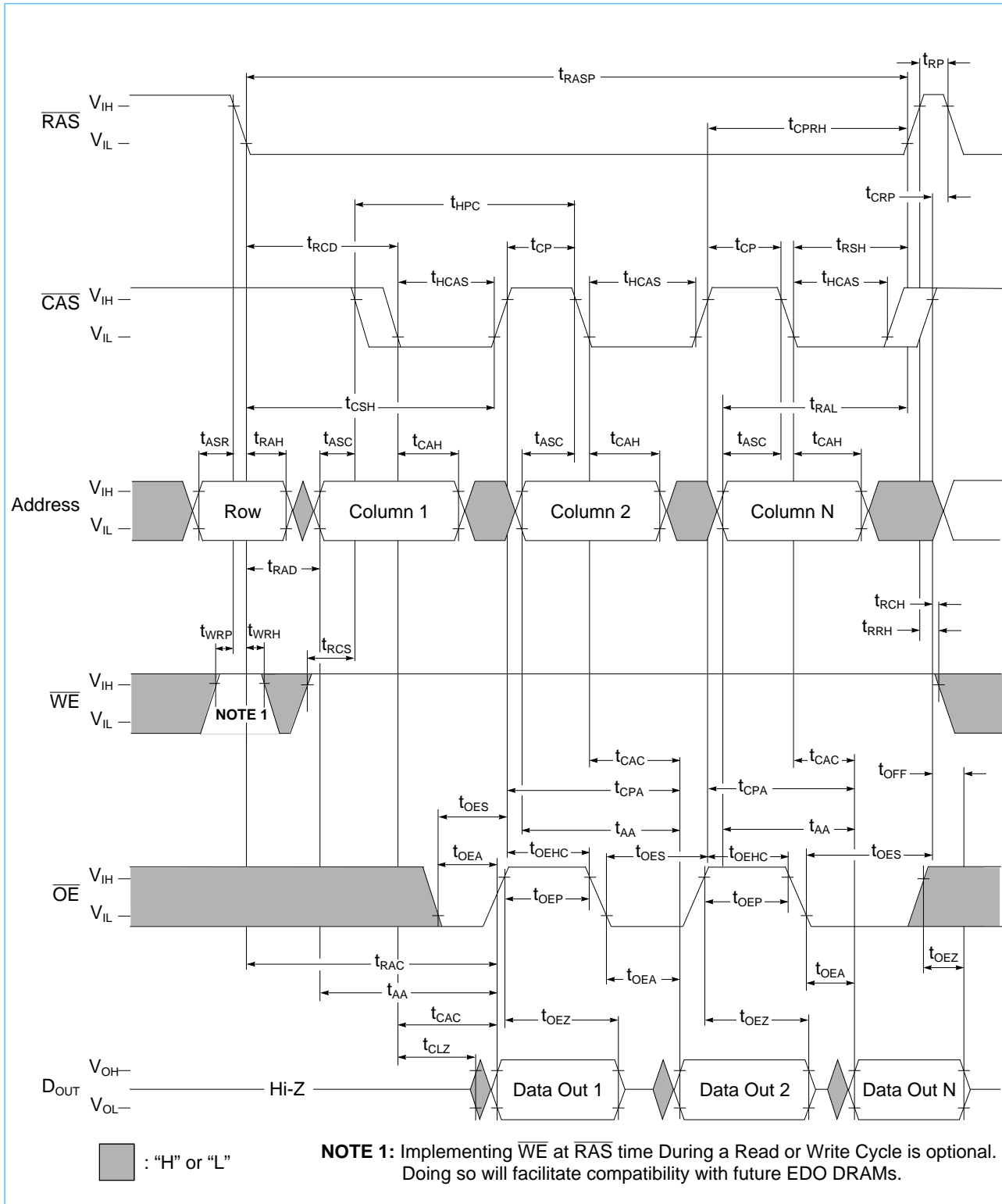
IBM11T4645MP
 IBM11T8645MP
 4M/8M x 64 144 PIN SO DIMM

EDO Page Mode Read Cycle





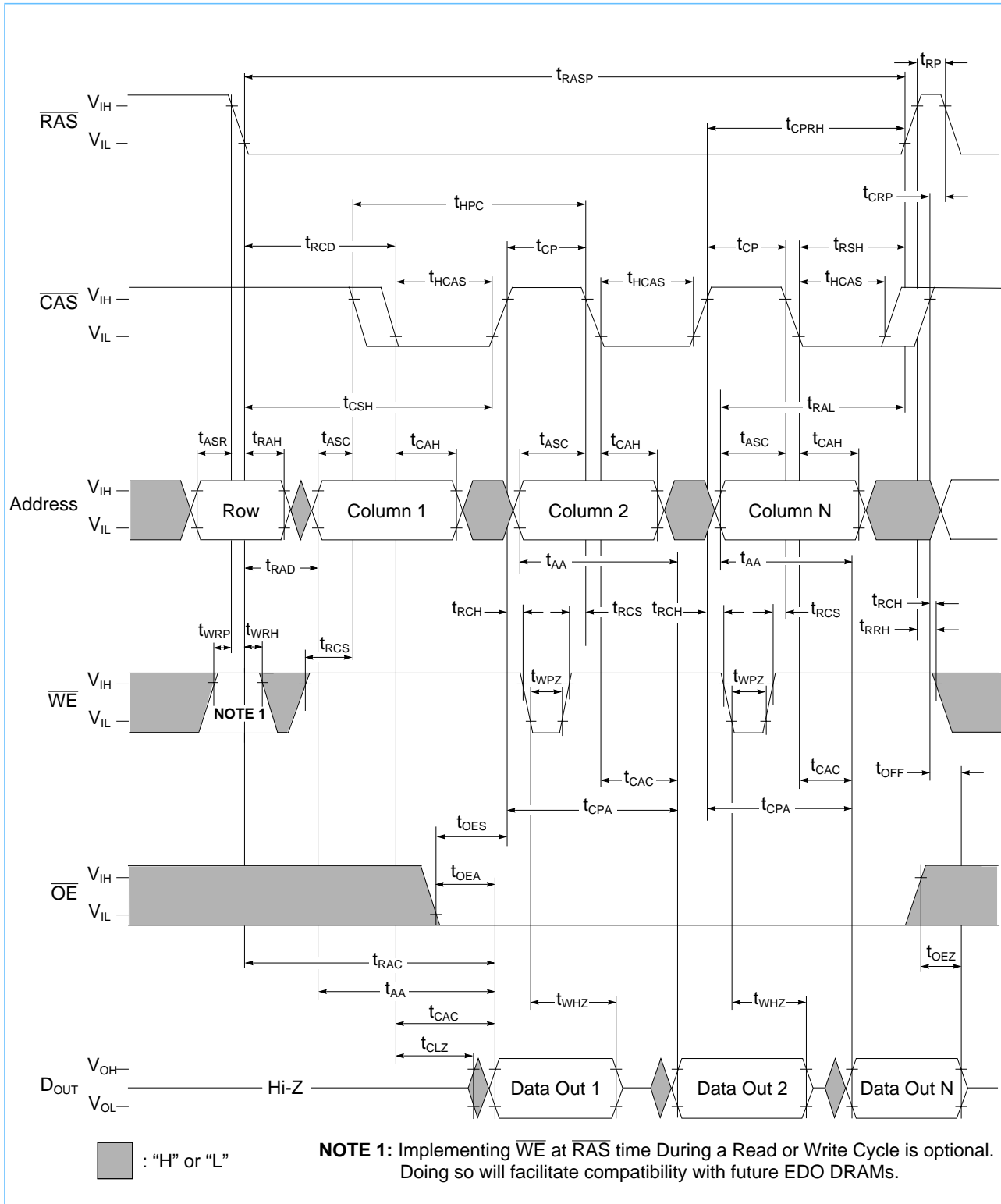
EDO Page Mode Read Cycle (\overline{OE} Control)





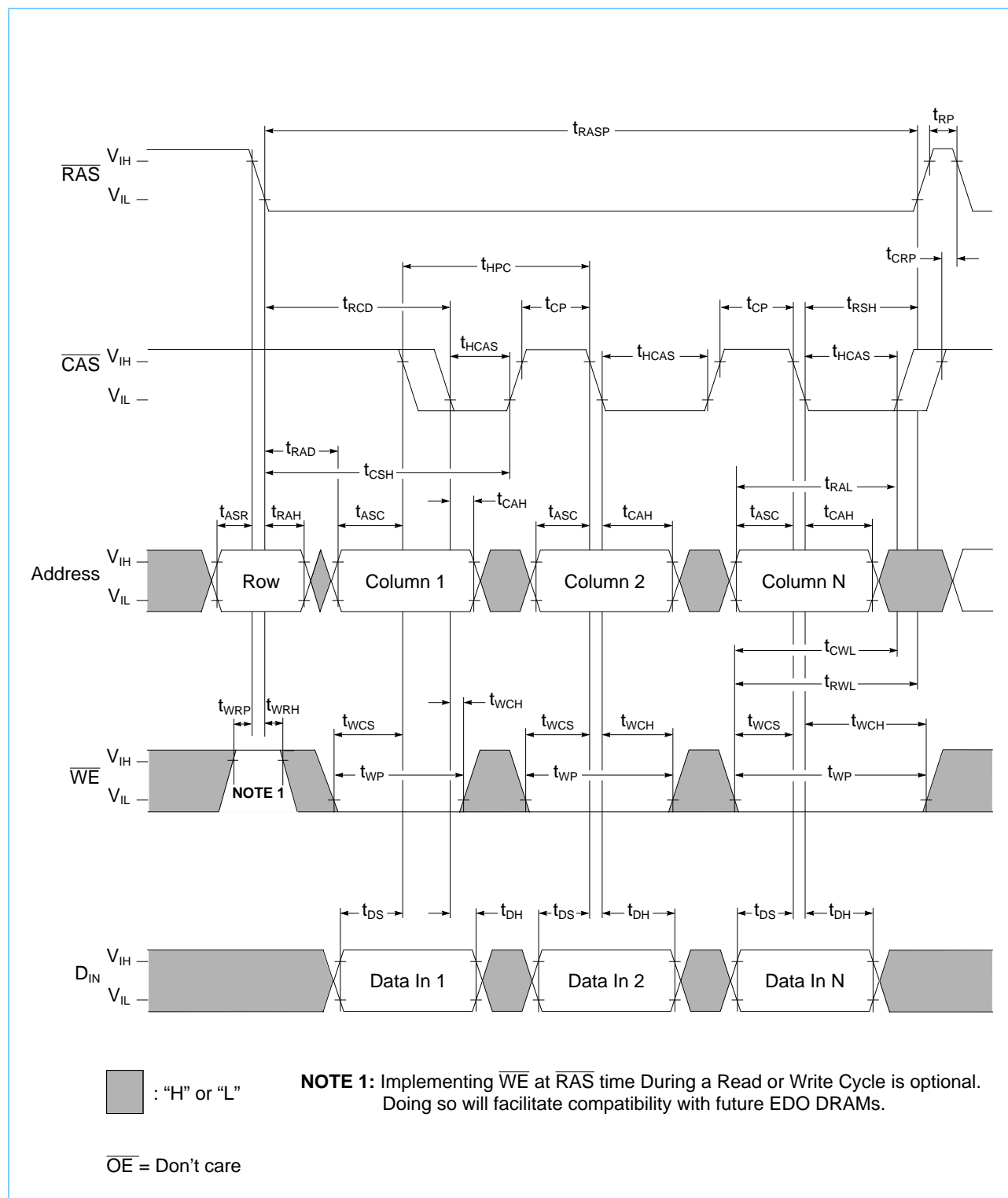
IBM11T4645MP
 IBM11T8645MP
 4M/8M x 64 144 PIN SO DIMM

EDO Page Mode Read Cycle (\overline{WE} Control)





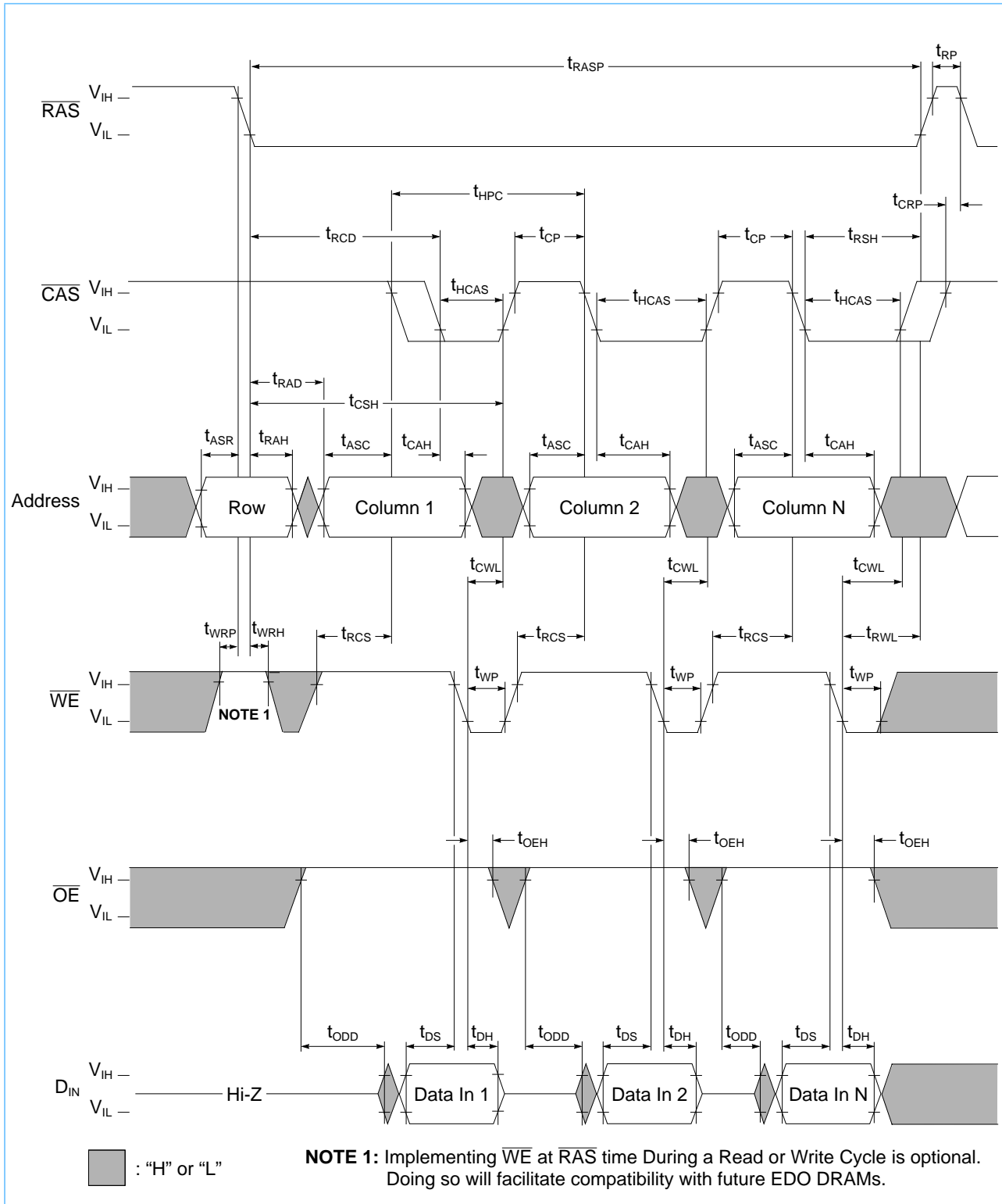
EDO Page Mode Early Write Cycle





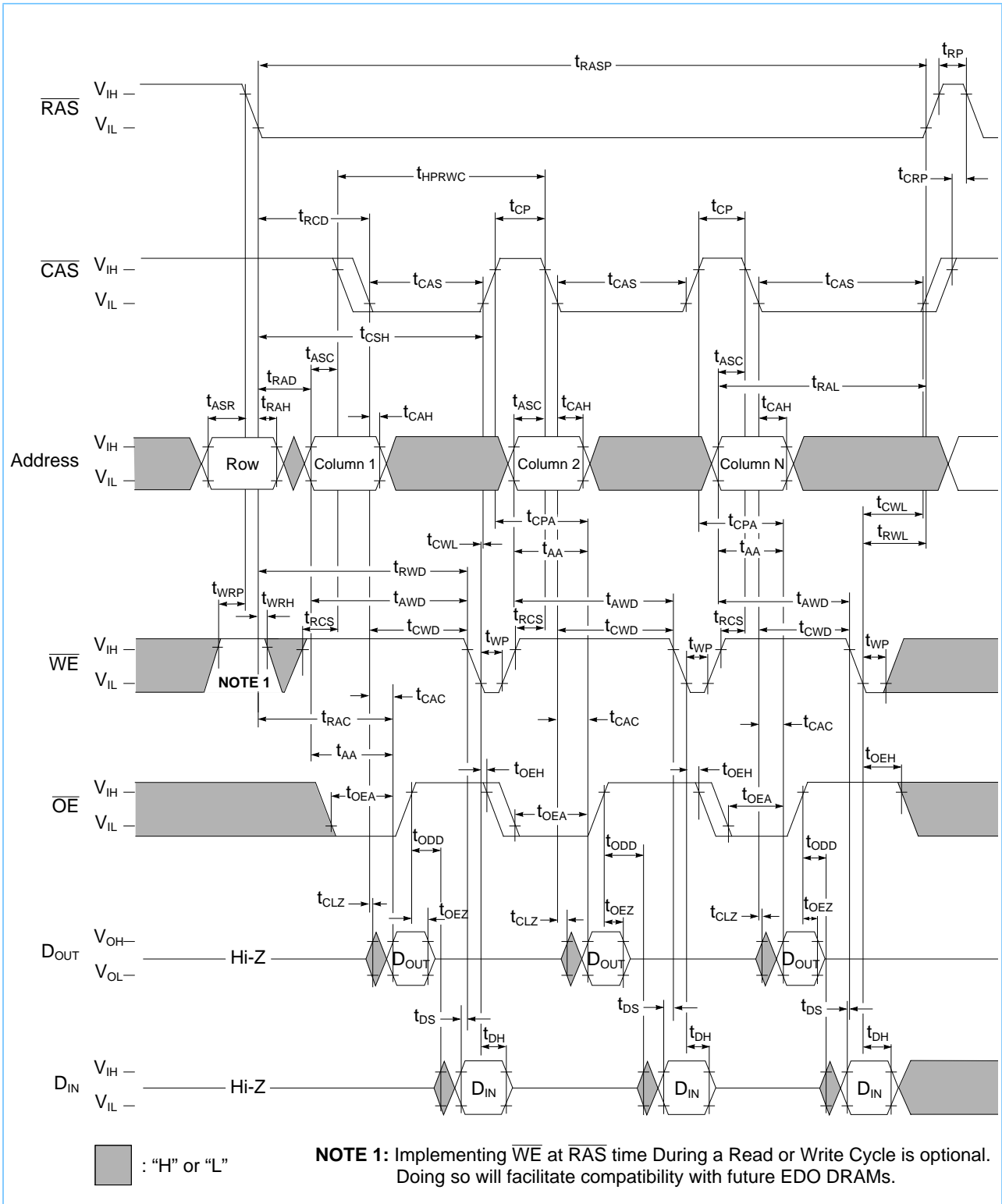
IBM11T4645MP
 IBM11T8645MP
 4M/8M x 64 144 PIN SO DIMM

EDO Page Mode Late Write Cycle





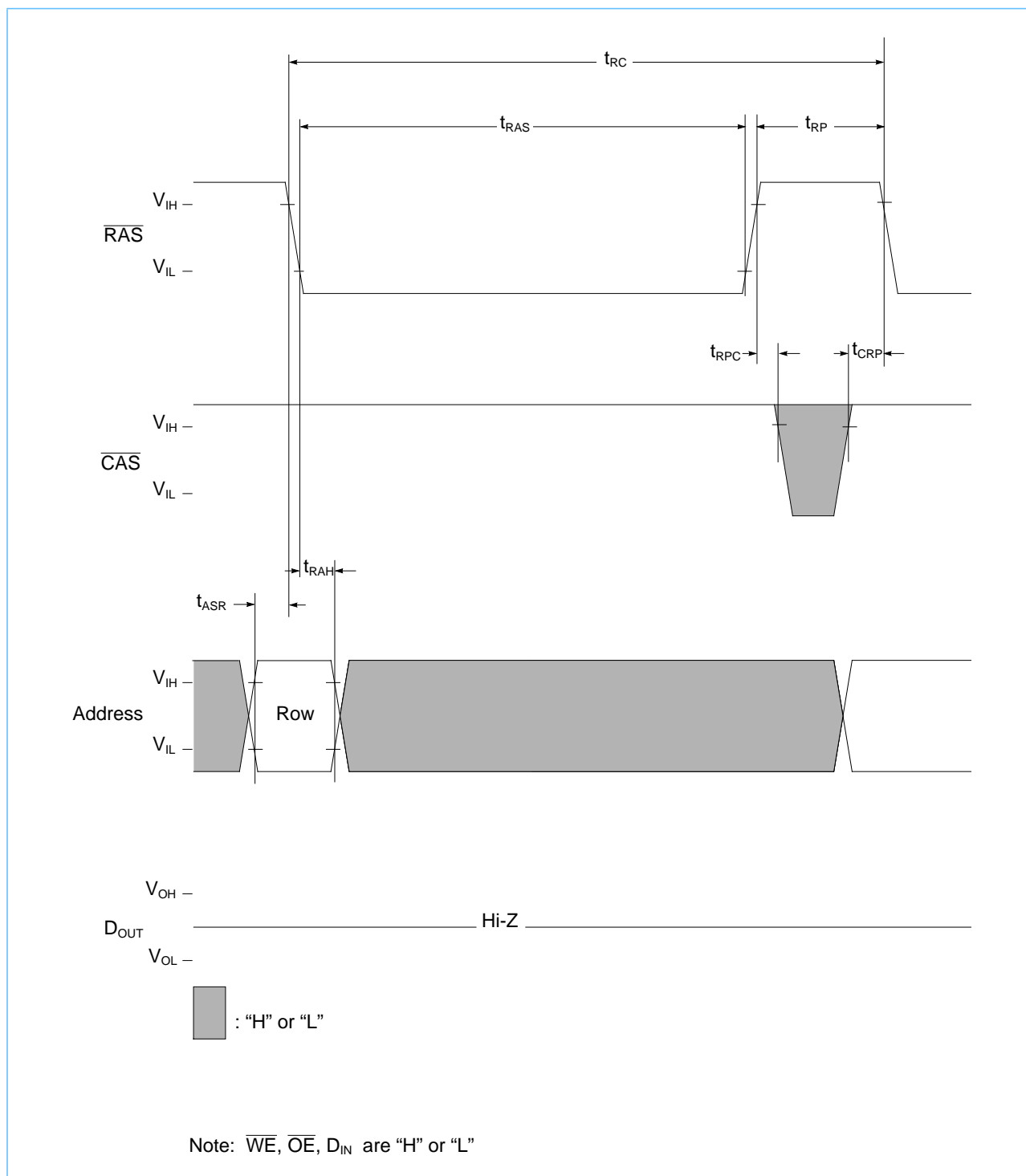
EDO Page Mode Read Modify Write Cycle





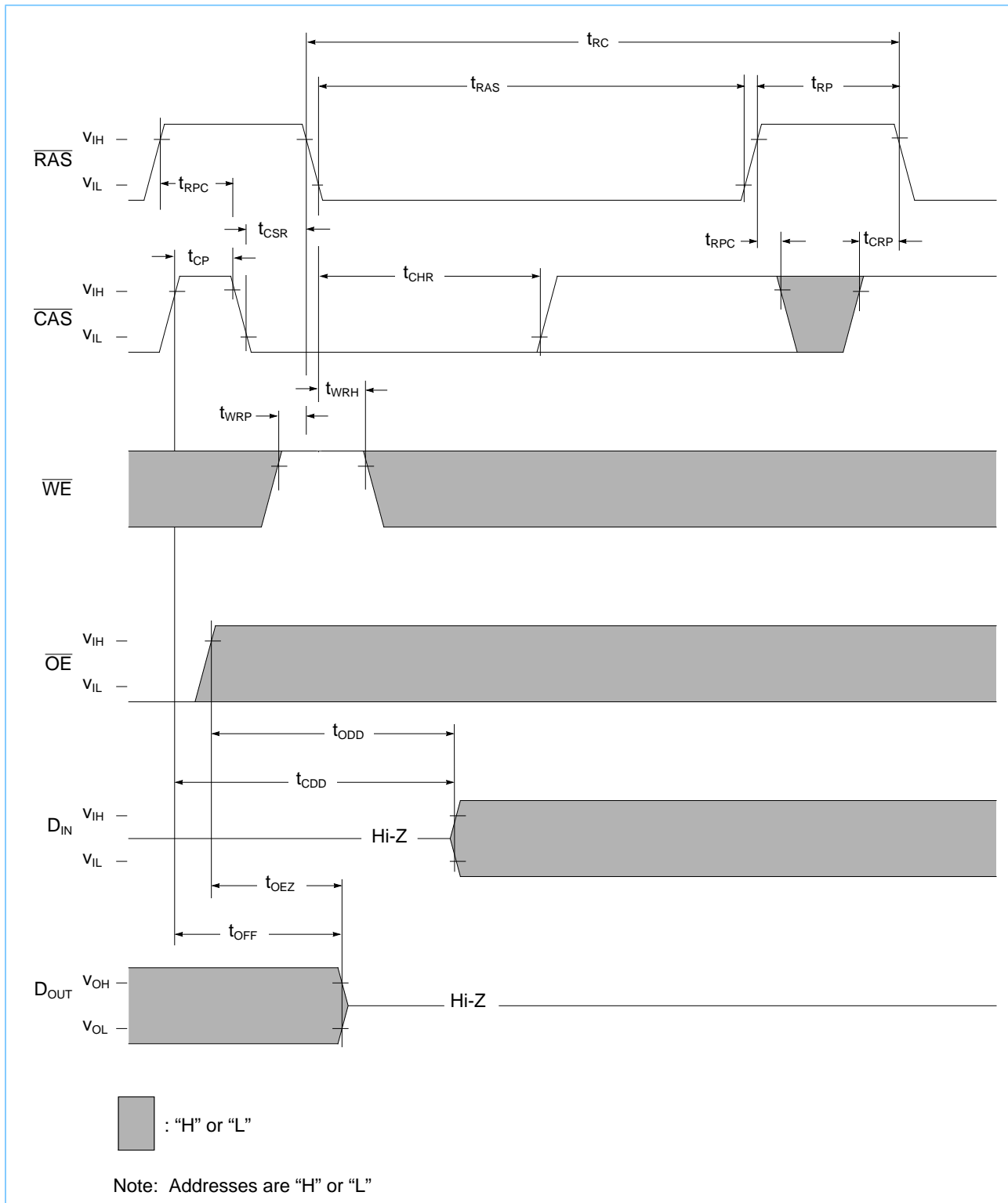
IBM11T4645MP
 IBM11T8645MP
 4M/8M x 64 144 PIN SO DIMM

RAS Only Refresh Cycle





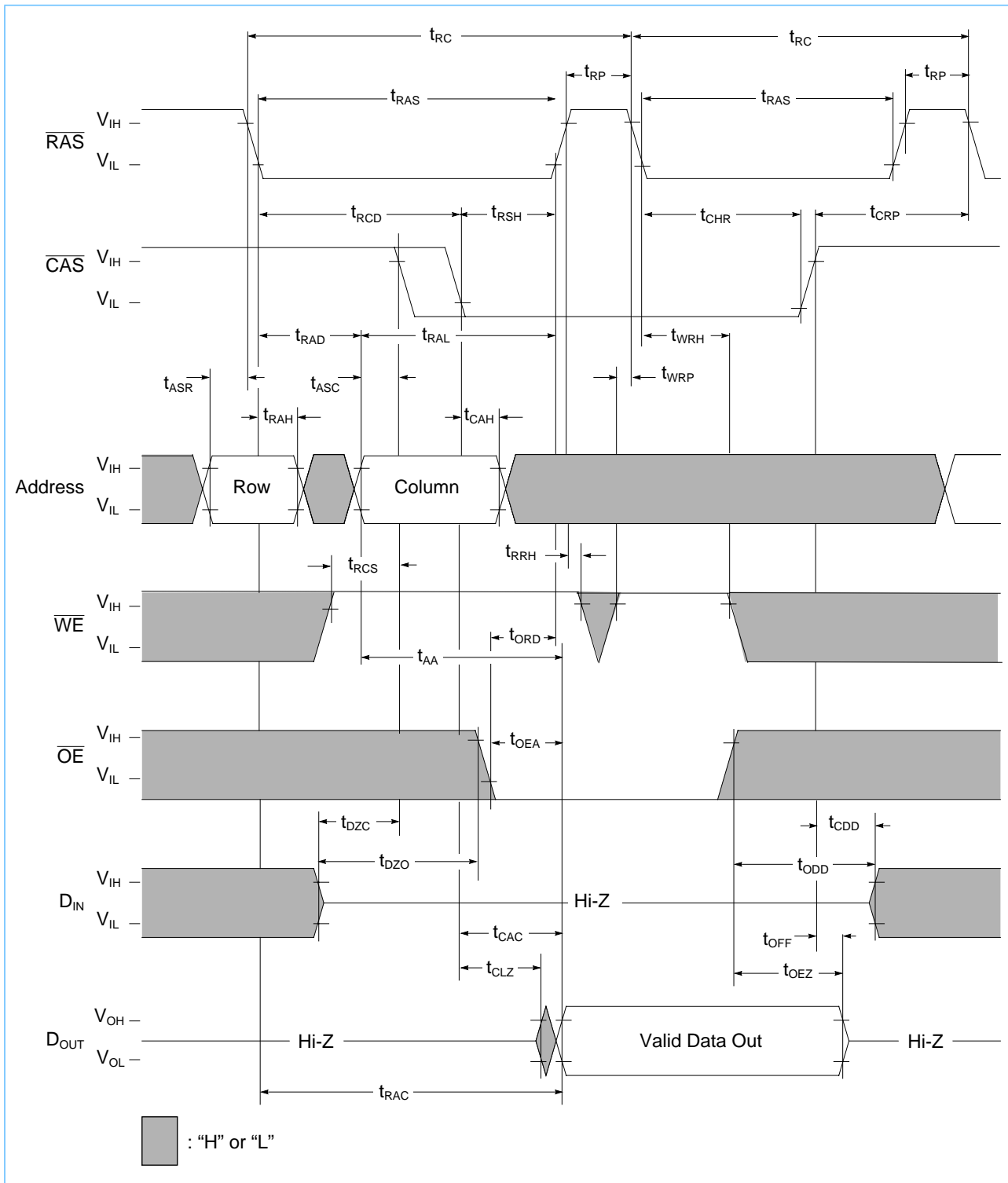
CAS Before RAS Refresh Cycle





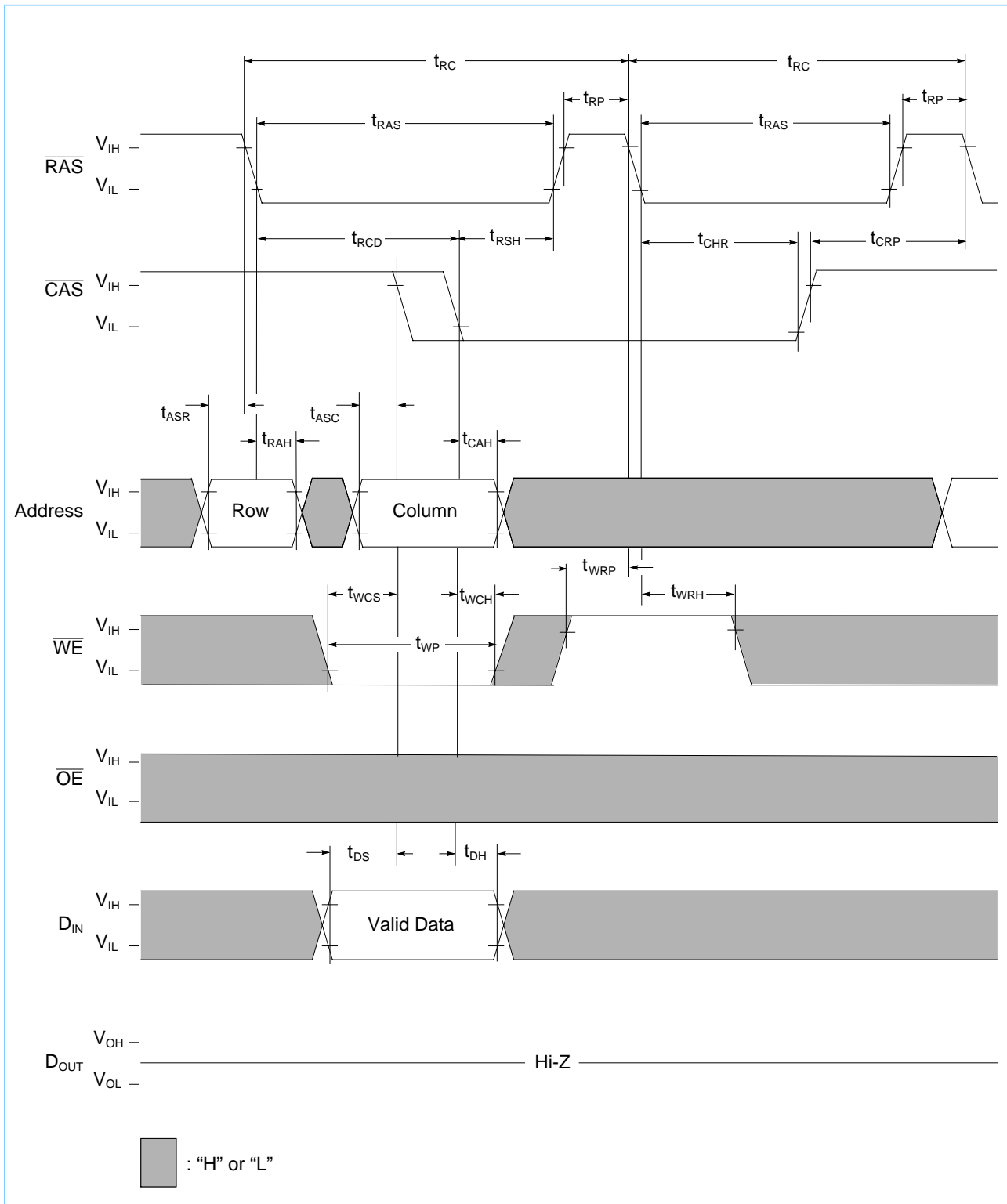
IBM11T4645MP
 IBM11T8645MP
 4M/8M x 64 144 PIN SO DIMM

Hidden Refresh Cycle (Read)





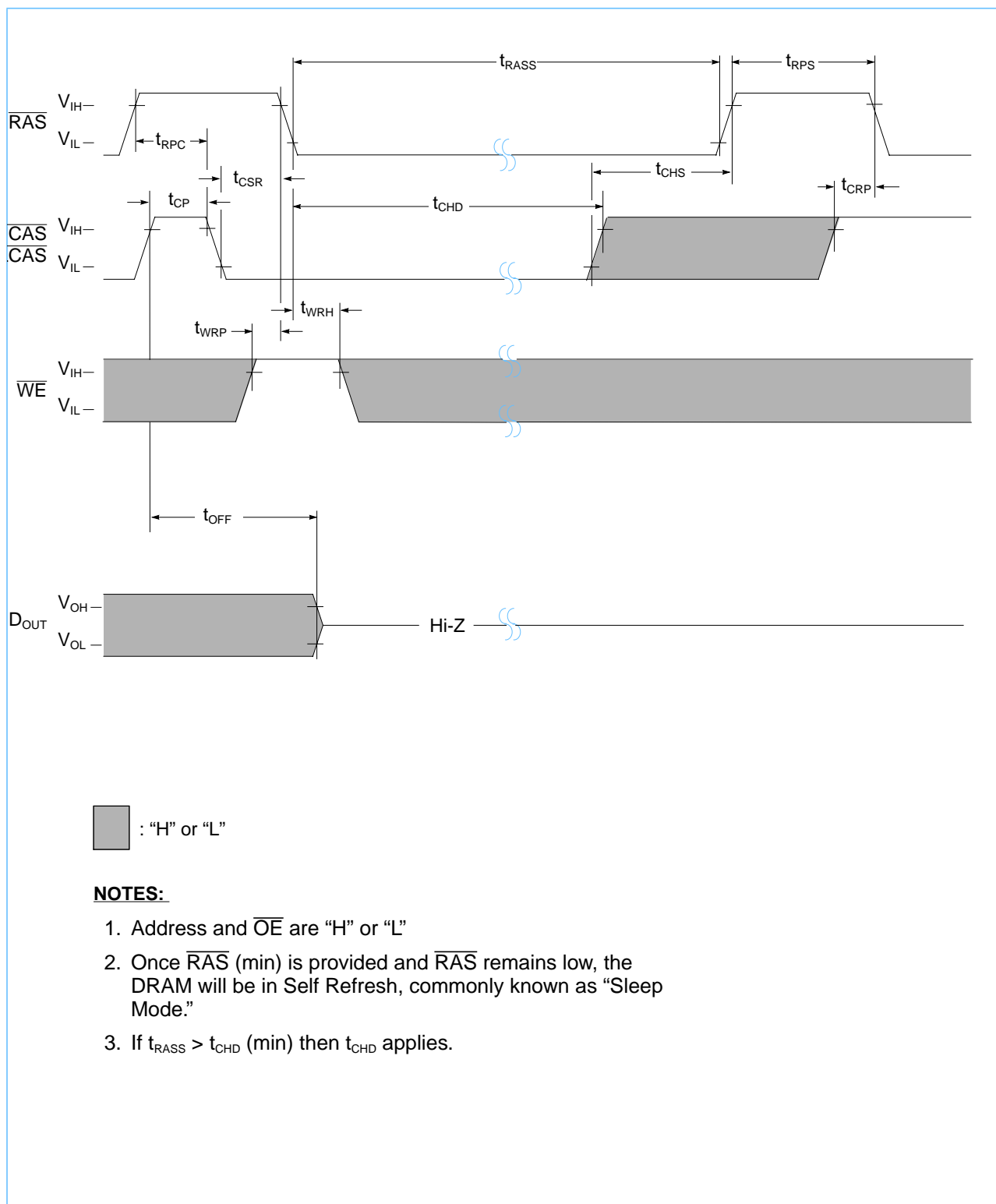
Hidden Refresh Cycle (Write)





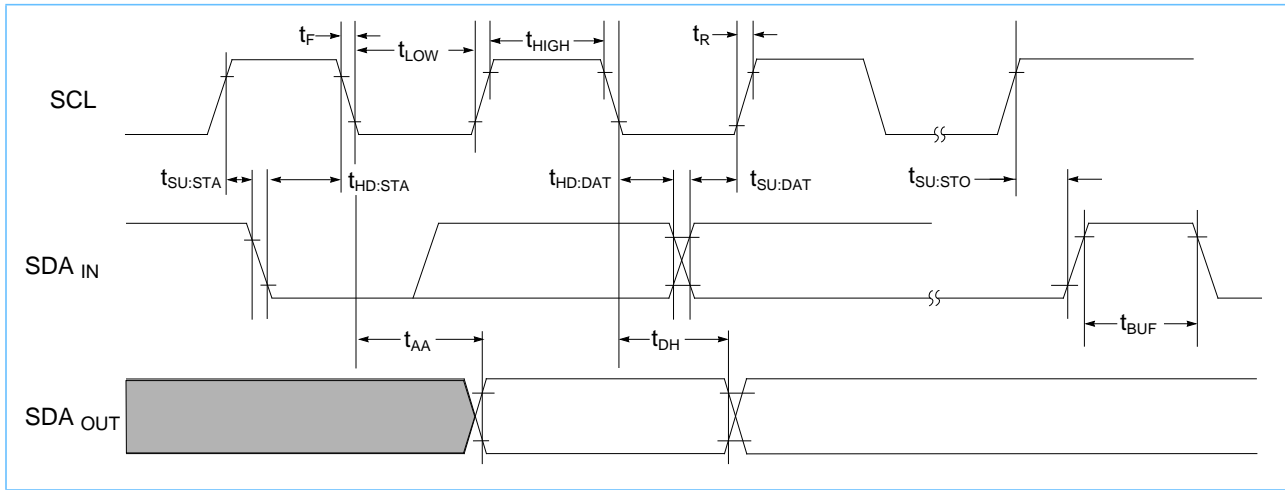
IBM11T4645MP
 IBM11T8645MP
 4M/8M x 64 144 PIN SO DIMM

Self Refresh Cycle (Sleep Mode)





Presence Detect (EEPROM) Bus Timing



Presence Detect Operation

Clock and Data Conventions: Data states on the SDA line can change only during SCL low. SDA state changes during SCL HIGH are reserved for indicating start and stop conditions (Figure 1 & Figure 2).

Start Condition: All commands are preceded by the start condition, which is a HIGH to LOW transition of SDA when SCL is high. The serial PD device continuously monitors the SDA and SCL lines for the start condition and will not respond to any command until this condition has been met.

Stop Condition: All communications are terminated by a stop condition, which is a LOW to HIGH transition of SDA when SCL is HIGH. The stop condition is also used to place the serial PD device into standby power mode.

Acknowledge: Acknowledge is a software convention used to indicate successful data transfers. The transmitting device, either master or slave, will release the bus after transmitting eight bits. During the ninth clock cycle the receiver will pull the SDA line LOW to acknowledge that it received the eight bits of data (Figure 3).

The PD device will always respond with an acknowledge after recognition of a start condition and its slave address. If both the device and a write operation have been selected, The PD device, will respond with an acknowledge after the receipt of each subsequent eight bit word. In the read mode the PD device will transmit eight bits of data, release the SDA line and monitor the line for an acknowl-

edge. If an acknowledge is detected and no stop condition is generated by the master, the slave will continue to transmit data. If an acknowledge is not detected, the slave will terminate further data transmissions and await the stop condition to return to standby power mode.

Figure 1. Data Window

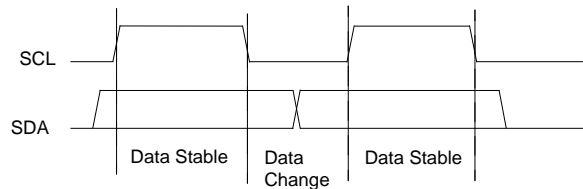


Figure 2. Definition of Start & Stop

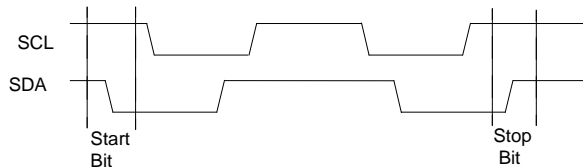
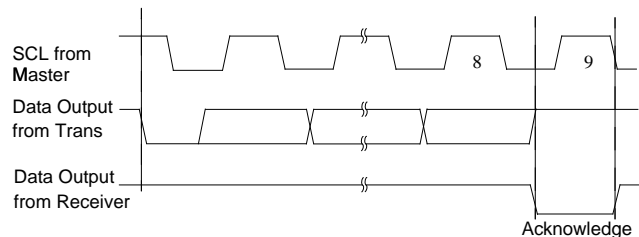


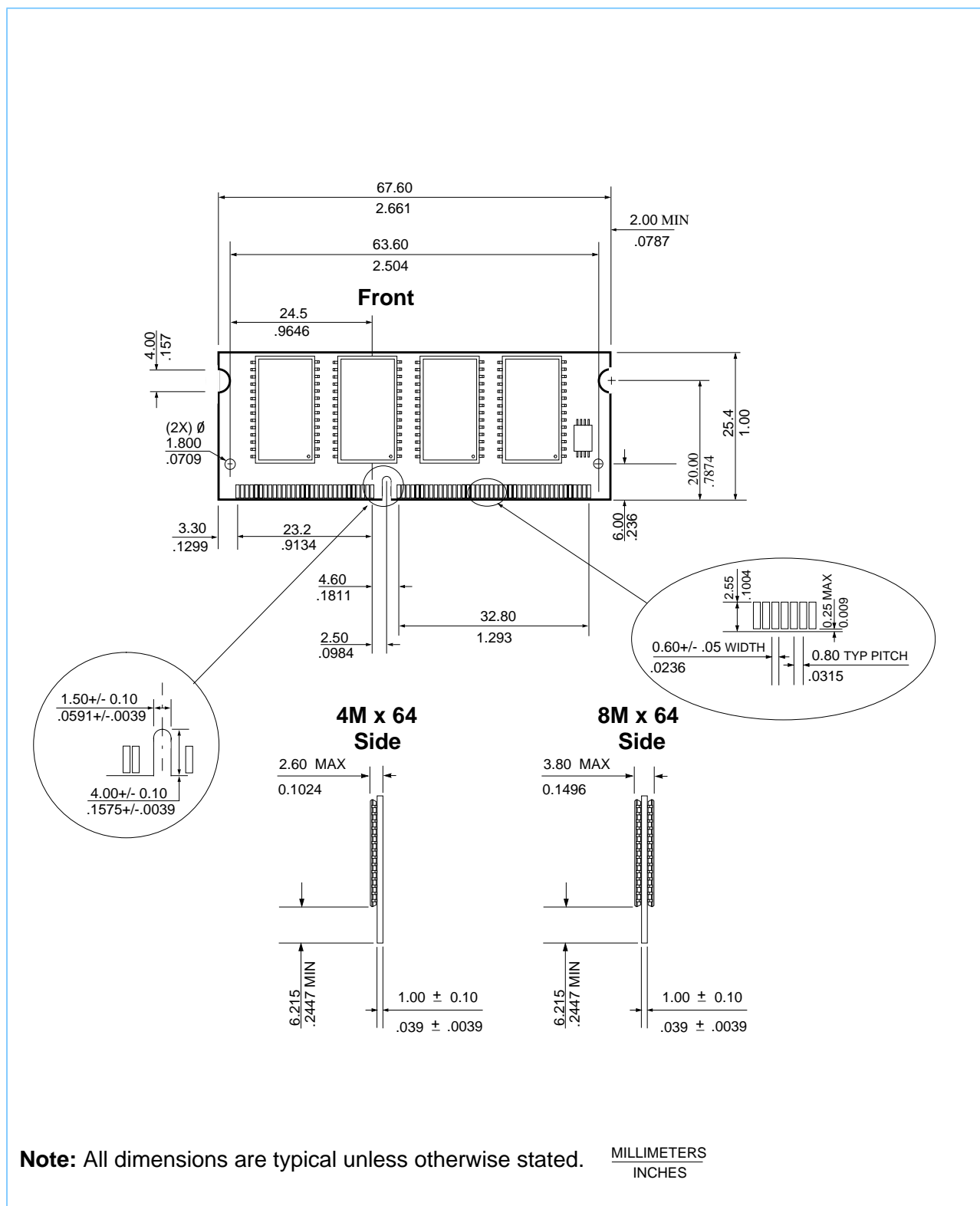
Figure 3. Acknowledge Response From Receiver





IBM11T4645MP
 IBM11T8645MP
 4M/8M x 64 144 PIN SO DIMM

Layout Drawing





IBM11T4645MP
IBM11T8645MP
4M/8M x 64 144 PIN SO DIMM

Revision Log

Rev	Contents of Modification
11/96	Initial Release
4/97	Update Serial Presence Detect table Update power
11/97	Update Refresh Rate



© International Business Machines Corp.1997

Printed in the United States of America
All rights reserved

IBM and the IBM logo are registered trademarks of the IBM Corporation.

This document may contain preliminary information and is subject to change by IBM without notice. IBM assumes no responsibility or liability for any use of the information contained herein. Nothing in this document shall operate as an express or implied license or indemnity under the intellectual property rights of IBM or third parties. The products described in this document are not intended for use in implantation or other direct life support applications where malfunction may result in direct physical harm or injury to persons. **NO WARRANTIES OF ANY KIND, INCLUDING, BUT NOT LIMITED TO, THE IMPLIED WARRANTIES OF MERCHANTABILITY OR FITNESS FOR A PARTICULAR PURPOSE, ARE OFFERED IN THIS DOCUMENT.**

For more information contact your IBM Microelectronics sales representative or visit us on World Wide Web at <http://www.chips.ibm.com>

IBM Microelectronics manufacturing is ISO 9000 compliant.