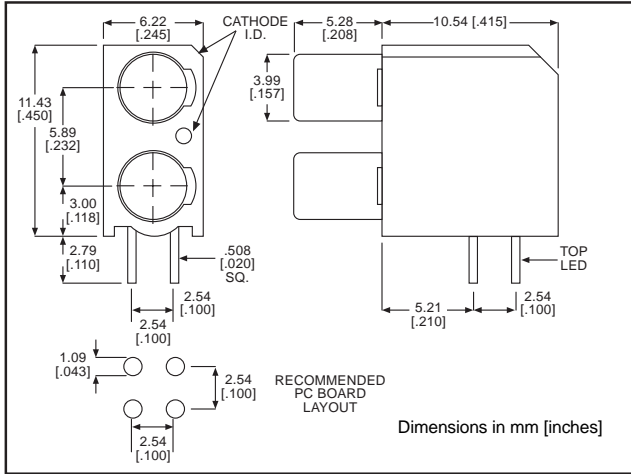


# 4mm Flat Top LED CBI® Circuit Board Indicator Bi-level

# Dialight

## 552-60xx-200



### PART NO.

- 552-6011-200
- 552-6022-200
- 552-6023-200
- 552-6032-200
- 552-6033-200

### COLOR\*

- Red-Red
- Green-Green
- Green-Yellow
- Yellow-Green
- Yellow-Yellow

\* Top-Bottom LED

### Benefits

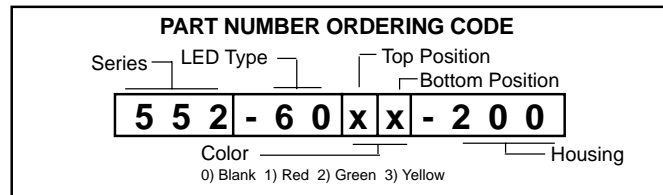
- Flat top design for flush panel appearance
- Bi-level design conserves board space
- Single insertion of 2 LEDs
- Black housing enhances contrast
- Housing material meets UL 94V-0
- High reliability - life measured in years
- Housing assures proper LED alignment
- Standoffs on housing facilitate P.C. board cleaning
- Vibration and shock resistant

### Custom Combinations

- Contact factory for information on custom color combinations.

### LED Data

- For absolute maximum ratings and other electrical/optical data refer to LED data sheet



5



**CLICK HERE**

To Construct Custom Color Combinations of This Part

### Typical Operating Characteristics (T<sub>A</sub>=25°C)

See LED data sheet for additional information

Color	Peak Wavelength nm	I <sub>v</sub> mcd	V <sub>F</sub> Volts	Test Current (mA)	Viewing Angle 2θ <sub>1/2</sub>	LED Data sheet	Page #
Red	630	8.7	2	20	145°	521-9706	5-18
Green	565	12.6	2.1	20	150°	521-9708	5-18
Yellow	585	8.7	2.1	20	150°	521-9707	5-18