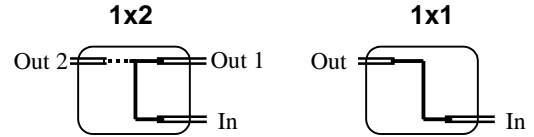


1981 Adams Avenue
San Leandro, CA 94577
510.567.8700
510.567.8701 [fax]

Sales Support
510.567.8503
510.567.8307
510.567.8506 [fax]
800.567.1688 [Toll Free]

Configurations



Performance Specifications

Specifications	LT210 Series 1x2 & 1x1	Unit
Insertion Loss ^{1,2}	0.5 typ - 0.8 max	dB
Repeatability	< ± 0.02	dB
Switching Time	5 typ - 8 max	ms
Operating Temperature	0 to 65	°C
Back Reflection	< -55	dB
Crosstalk	< -70	dB
Maximum Operating Current	50	mA
Nominal Operating Voltage ³	5	V DC
PDL	< 0.1	dB
Durability	10 million min	cycle
Control	PCB Mountable	--
Housing Dimensions (HxWxL)	5.5x22x48	mm
Wavelength Window ⁴	1280~1340, 1520~1580	nm

All specifications referenced without connectors

All specifications referenced with single-mode fiber

Multimode switches available upon request

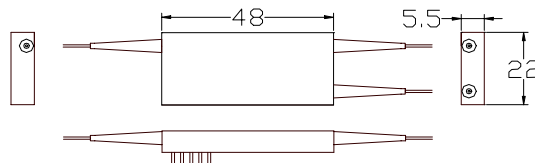
1. Insertion loss based on single wavelength only

2. Add 0.2 dB for 1310/1550 nm dual wavelength

3. Operating voltage range from 4.75 to 5.5 volts

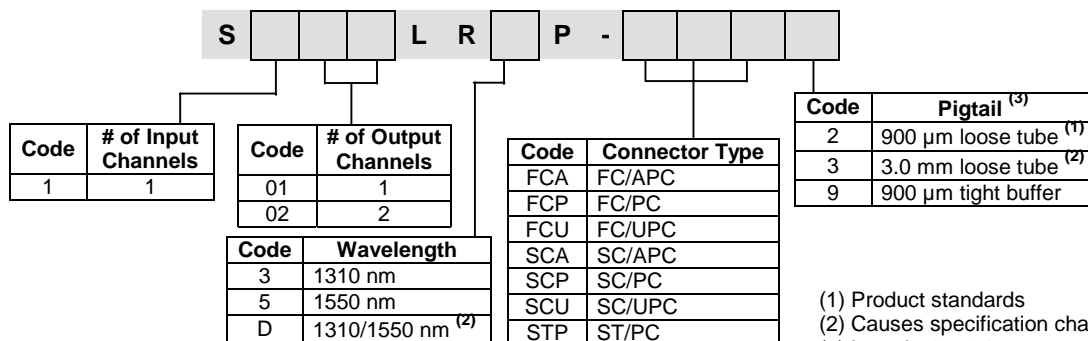
4. Lower insertion loss at 1310nm, 1550nm, or other wavelength available upon request

Housing Dimensions:



Ordering Information: ⁽⁴⁾

Example: S101LR5P-FCA2



(1) Product standards

(2) Causes specification change

(3) Length: 1 ± 0.1 meter

(4) Custom specifications available

The information set forth in this document reflects our best knowledge at the time of issue. The document is subject to changes pursuant to new developments and findings, and a similar reservation applies to the properties of the products described. We undertake no liability for results obtained by usage of our products and information.