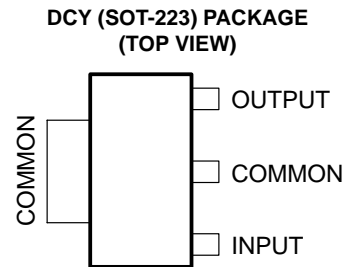
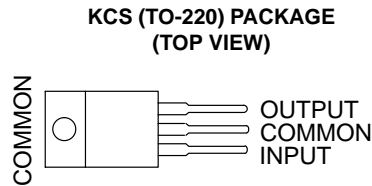
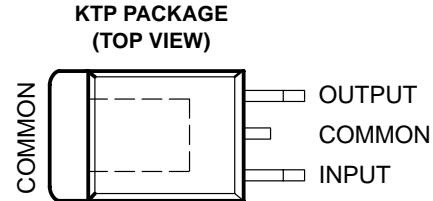
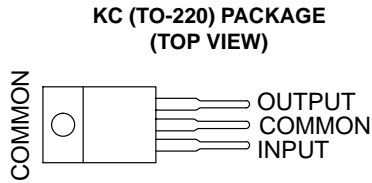


The μA78M10 and μA78M15 are obsolete and are no longer supplied

SLVS059L – JUNE 1976 – REVISED MAY 2003

- 3-Terminal Regulators
- Output Current Up To 500 mA
- No External Components
- Internal Thermal-Overload Protection
- High Power-Dissipation Capability
- Internal Short-Circuit Current Limiting
- Output Transistor Safe-Area Compensation



description/ordering information

ORDERING INFORMATION

| T _J | V _{O(NOM)} (V) | PACKAGE† | | ORDERABLE PART NUMBER | TOP-SIDE MARKING |
|----------------|------------------------------|------------------|--------------|--------------------------|---------------------|
| 0°C to 125°C | 3.3 | Power Flex (KTP) | Reel of 3000 | μA78M33CKTPR | UA78M33C |
| | | SOT-223 (DCY) | Tube of 80 | μA78M33CDCY | C3 |
| | | | Reel of 2500 | μA78M33CDCYR | |
| | | TO-220 (KC) | Tube of 50 | μA78M33CKC | UA78M33C |
| | 5 | Power Flex (KTP) | Reel of 3000 | μA78M05CKTPR | UA78M05C |
| | | SOT-223 (DCY) | Tube of 80 | μA78M05CDCY | C5 |
| | | | Reel of 2500 | μA78M05CDCYR | |
| | | TO-220 (KC) | Tube of 50 | μA78M05CKC | UA78M05C |
| | TO-220, short shoulder (KCS) | Tube of 20 | μA78M05CKCS | | |
| | 6 | Power Flex (KTP) | Reel of 3000 | μA78M06CKTPR | UA78M06C |
| | | Power Flex (KTP) | Reel of 3000 | μA78M08CKTPR | UA78M08C |
| | 8 | SOT-223 (DCY) | Tube of 80 | μA78M08CDCY | C8 |
| | | | Reel of 2500 | μA78M08CDCYR | |
| | | TO-220 (KC) | Tube of 50 | μA78M08CKC | UA78M08C |
| 9 | Power Flex (KTP) | Reel of 3000 | μA78M09CKTPR | UA78M09C | |
| 12 | Power Flex (KTP) | Reel of 3000 | μA78M12CKTPR | UA78M12C | |
| | TO-220 (KC) | Tube of 50 | μA78M12CKC | UA78M12C | |

† Package drawings, standard packing quantities, thermal data, symbolization, and PCB design guidelines are available at www.ti.com/sc/package.



Please be aware that an important notice concerning availability, standard warranty, and use in critical applications of Texas Instruments semiconductor products and disclaimers thereto appears at the end of this data sheet.

PRODUCTION DATA information is current as of publication date. Products conform to specifications per the terms of Texas Instruments standard warranty. Production processing does not necessarily include testing of all parameters.



POST OFFICE BOX 655303 • DALLAS, TEXAS 75265

Copyright © 2003, Texas Instruments Incorporated

μA78M00 SERIES POSITIVE-VOLTAGE REGULATORS

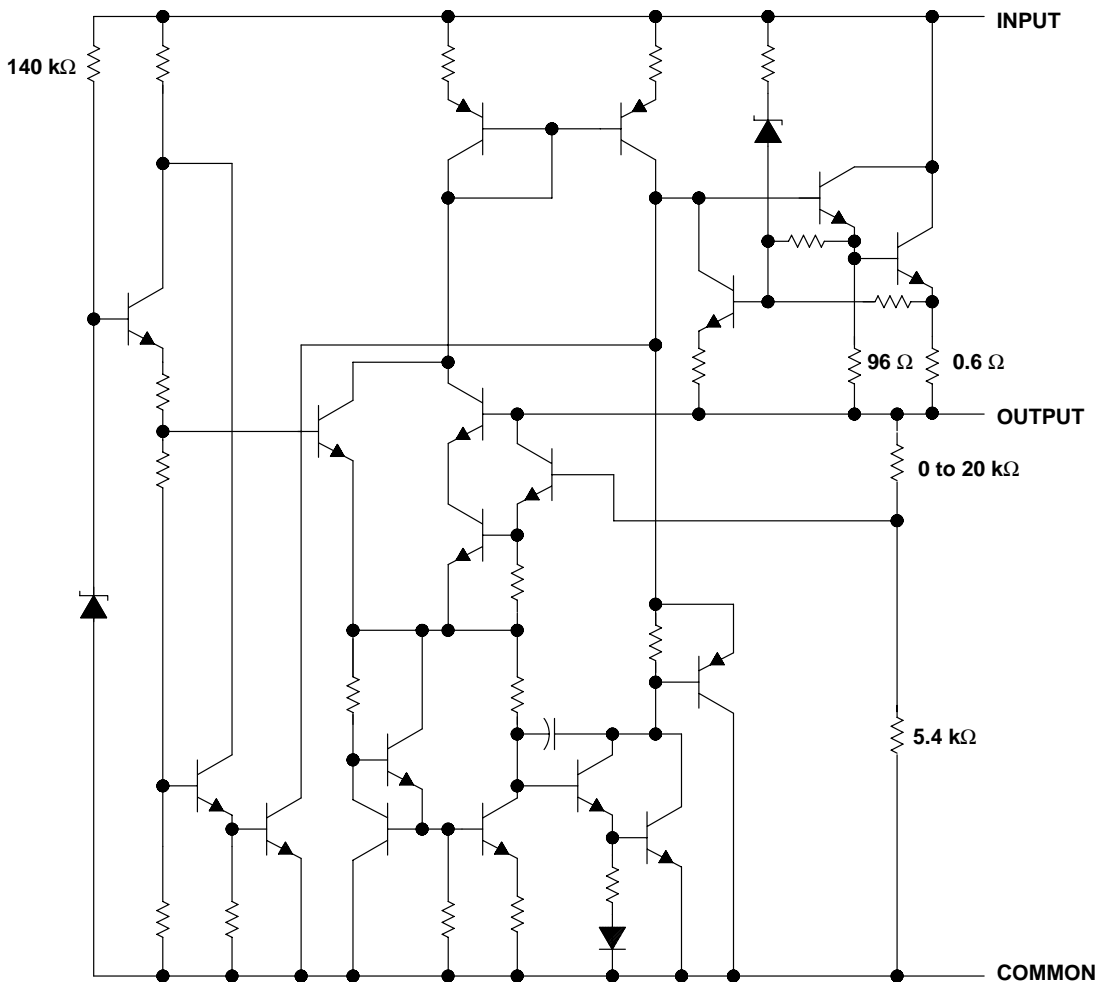
The μA78M10 and μA78M15 are
obsolete and are no longer supplied

SLVS059L – JUNE 1976 – REVISED MAY 2003

description/ordering information (continued)

This series of fixed-voltage integrated-circuit voltage regulators is designed for a wide range of applications. These applications include on-card regulation for elimination of noise and distribution problems associated with single-point regulation. Each of these regulators can deliver up to 500 mA of output current. The internal current-limiting and thermal-shutdown features of these regulators essentially make them immune to overload. In addition to use as fixed-voltage regulators, these devices can be used with external components to obtain adjustable output voltages and currents, and also as the power-pass element in precision regulators.

schematic



Resistor values shown are nominal.



POST OFFICE BOX 655303 • DALLAS, TEXAS 75265

The μA78M10 and μA78M15 are
obsolete and are no longer supplied

SLVS059L – JUNE 1976 – REVISED MAY 2003

absolute maximum ratings over virtual junction temperature range (unless otherwise noted)†

| | |
|--|----------------|
| Input voltage, V_I | 35 V |
| Operating virtual junction temperature, T_J | 150°C |
| Lead temperature 1,6 mm (1/16 inch) from case for 10 seconds | 260°C |
| Storage temperature range, T_{Stg} | –65°C to 150°C |

† Stresses beyond those listed under “absolute maximum ratings” may cause permanent damage to the device. These are stress ratings only, and functional operation of the device at these or any other conditions beyond those indicated under “recommended operating conditions” is not implied. Exposure to absolute-maximum-rated conditions for extended periods may affect device reliability.

package thermal data (see Note 1)

| PACKAGE | BOARD | θ_{JC} | θ_{JA} |
|------------------|-------------------|---------------|---------------|
| POWER-FLEX (KTP) | High K, JESD 51-5 | 19°C/W | 28°C/W |
| SOT-223 (DCY) | High K, JESD 51-7 | 4°C/W | 53°C/W |
| TO-220 (KC/KCS) | High K, JESD 51-5 | 3°C/W | 19°C/W |

NOTE 1: Maximum power dissipation is a function of $T_J(\max)$, θ_{JA} , and T_A . The maximum allowable power dissipation at any allowable ambient temperature is $P_D = (T_J(\max) - T_A)/\theta_{JA}$. Operating at the absolute maximum T_J of 150°C can affect reliability.

recommended operating conditions

| | | MIN | MAX | UNIT | |
|-------|--|---------|------|------|---|
| V_I | Input voltage | μA78M33 | 5.3 | 25 | V |
| | | μA78M05 | 7 | 25 | |
| | | μA78M06 | 8 | 25 | |
| | | μA78M08 | 10.5 | 25 | |
| | | μA78M09 | 11.5 | 26 | |
| | | μA78M10 | 12.5 | 28 | |
| | | μA78M12 | 14.5 | 30 | |
| | | μA78M15 | 17.5 | 30 | |
| I_O | Output current | | 500 | mA | |
| T_J | Operating virtual junction temperature | 0 | 125 | °C | |

μA78M00 SERIES POSITIVE-VOLTAGE REGULATORS

The μA78M10 and μA78M15 are
obsolete and are no longer supplied

SLVS059L – JUNE 1976 – REVISED MAY 2003

electrical characteristics at specified virtual junction temperature, $V_I = 8\text{ V}$, $I_O = 350\text{ mA}$, $T_J = 25^\circ\text{C}$
(unless otherwise noted)

| PARAMETER | TEST CONDITIONS† | | μA78M33C | | | UNIT |
|---|---|--|----------|-----|-----|-------|
| | | | MIN | TYP | MAX | |
| Output voltage‡ | $I_O = 5\text{ mA to }350\text{ mA}$, $V_I = 8\text{ V to }20\text{ V}$ | | 3.2 | 3.3 | 3.4 | V |
| | | $T_J = 0^\circ\text{C to }125^\circ\text{C}$ | 3.1 | 3.3 | 3.5 | |
| Input voltage regulation | $I_O = 200\text{ mA}$ | $V_I = 5.3\text{ V to }25\text{ V}$ | | 9 | 100 | mV |
| | | $V_I = 8\text{ V to }25\text{ V}$ | | 3 | 50 | |
| Ripple rejection | $V_I = 8\text{ V to }18\text{ V}$, $f = 120\text{ Hz}$ | $I_O = 100\text{ mA}$, $T_J = 0^\circ\text{C to }125^\circ\text{C}$ | 62 | | | dB |
| | | $I_O = 300\text{ mA}$ | 62 | 80 | | |
| Output voltage regulation | $V_I = 8\text{ V}$, | $I_O = 5\text{ mA to }500\text{ mA}$ | | 20 | 100 | mV |
| Temperature coefficient of output voltage | $I_O = 5\text{ mA}$, | $T_J = 0^\circ\text{C to }125^\circ\text{C}$ | | -1 | | mV/°C |
| Output noise voltage | $f = 10\text{ Hz to }100\text{ kHz}$ | | | 40 | 200 | μV |
| Dropout voltage | | | | 2 | | V |
| Bias current | | | | 4.5 | 6 | mA |
| Bias current change | $I_O = 200\text{ mA}$, | $V_I = 8\text{ V to }25\text{ V}$, $T_J = 0^\circ\text{C to }125^\circ\text{C}$ | | | 0.8 | mA |
| | $I_O = 5\text{ mA to }350\text{ mA}$, | $T_J = 0^\circ\text{C to }125^\circ\text{C}$ | | | 0.5 | |
| Short-circuit output current | $V_I = 35\text{ V}$ | | | 300 | | mA |
| Peak output current | | | | 700 | | mA |

† All characteristics are measured with a 0.33-μF capacitor across the input and a 0.1-μF capacitor across the output. Pulse-testing techniques maintain T_J as close to T_A as possible. Thermal effects must be taken into account separately.

‡ This specification applies only for dc power dissipation permitted by absolute maximum ratings.

electrical characteristics at specified virtual junction temperature, $V_I = 10\text{ V}$, $I_O = 350\text{ mA}$, $T_J = 25^\circ\text{C}$
(unless otherwise noted)

| PARAMETER | TEST CONDITIONS† | | μA78M05C | | | UNIT |
|---|---|--|----------|-----|------|-------|
| | | | MIN | TYP | MAX | |
| Output voltage | $I_O = 5\text{ mA to }350\text{ mA}$, $V_I = 7\text{ V to }20\text{ V}$ | | 4.8 | 5 | 5.2 | V |
| | | $T_J = 0^\circ\text{C to }125^\circ\text{C}$ | 4.75 | | 5.25 | |
| Input voltage regulation | $I_O = 200\text{ mA}$ | $V_I = 7\text{ V to }25\text{ V}$ | | 3 | 100 | mV |
| | | $V_I = 8\text{ V to }25\text{ V}$ | | 1 | 50 | |
| Ripple rejection | $V_I = 8\text{ V to }18\text{ V}$, $f = 120\text{ Hz}$ | $I_O = 100\text{ mA}$, $T_J = 0^\circ\text{C to }125^\circ\text{C}$ | 62 | | | dB |
| | | $I_O = 300\text{ mA}$ | 62 | 80 | | |
| Output voltage regulation | $I_O = 5\text{ mA to }500\text{ mA}$ | | | 20 | 100 | mV |
| | $I_O = 5\text{ mA to }200\text{ mA}$ | | | 10 | 50 | |
| Temperature coefficient of output voltage | $I_O = 5\text{ mA}$, | $T_J = 0^\circ\text{C to }125^\circ\text{C}$ | | -1 | | mV/°C |
| Output noise voltage | $f = 10\text{ Hz to }100\text{ kHz}$ | | | 40 | 200 | μV |
| Dropout voltage | | | | 2 | | V |
| Bias current | | | | 4.5 | 6 | mA |
| Bias current change | $I_O = 200\text{ mA}$, | $V_I = 8\text{ V to }25\text{ V}$, $T_J = 0^\circ\text{C to }125^\circ\text{C}$ | | | 0.8 | mA |
| | $I_O = 5\text{ mA to }350\text{ mA}$, | $T_J = 0^\circ\text{C to }125^\circ\text{C}$ | | | 0.5 | |
| Short-circuit output current | $V_I = 35\text{ V}$ | | | 300 | | mA |
| Peak output current | | | | 0.7 | | A |

† All characteristics are measured with a 0.33-μF capacitor across the input and a 0.1-μF capacitor across the output. Pulse-testing techniques maintain T_J as close to T_A as possible. Thermal effects must be taken into account separately.



The μA78M10 and μA78M15 are
obsolete and are no longer supplied

SLVS059L – JUNE 1976 – REVISED MAY 2003

electrical characteristics at specified virtual junction temperature, $V_I = 11\text{ V}$, $I_O = 350\text{ mA}$, $T_J = 25^\circ\text{C}$ (unless otherwise noted)

| PARAMETER | TEST CONDITIONST | | μA78M06C | | | UNIT |
|---|--|---|----------|-----|------|-------|
| | | | MIN | TYP | MAX | |
| Output voltage | $I_O = 5\text{ mA to }350\text{ mA}$, $V_I = 8\text{ V to }21\text{ V}$ | $T_J = 0^\circ\text{C to }125^\circ\text{C}$ | 5.75 | 6 | 6.25 | V |
| | | | 5.7 | | 6.3 | |
| Input voltage regulation | $I_O = 200\text{ mA}$ | $V_I = 8\text{ V to }25\text{ V}$ | 5 | 100 | | mV |
| | | $V_I = 9\text{ V to }25\text{ V}$ | 1.5 | 50 | | |
| Ripple rejection | $V_I = 9\text{ V to }19\text{ V}$, $f = 120\text{ Hz}$ | $I_O = 100\text{ mA}$, $T_J = 0^\circ\text{C to }125^\circ\text{C}$ | 59 | | | dB |
| | | $I_O = 300\text{ mA}$ | 59 | 80 | | |
| Output voltage regulation | $I_O = 5\text{ mA to }500\text{ mA}$ | | 20 | 120 | | mV |
| | $I_O = 5\text{ mA to }200\text{ mA}$ | | 10 | 60 | | |
| Temperature coefficient of output voltage | $I_O = 5\text{ mA}$, $T_J = 0^\circ\text{C to }125^\circ\text{C}$ | | -1 | | | mV/°C |
| Output noise voltage | $f = 10\text{ Hz to }100\text{ kHz}$ | | 45 | | | μV |
| Dropout voltage | | | 2 | | | V |
| Bias current | | | 4.5 | 6 | | mA |
| Bias current change | $V_I = 9\text{ V to }25\text{ V}$, $I_O = 200\text{ mA}$, $T_J = 0^\circ\text{C to }125^\circ\text{C}$ | | | | 0.8 | mA |
| | $I_O = 5\text{ mA to }350\text{ mA}$, $T_J = 0^\circ\text{C to }125^\circ\text{C}$ | | | | 0.5 | |
| Short-circuit output current | $V_I = 35\text{ V}$ | | 270 | | | mA |
| Peak output current | | | 0.7 | | | A |

† All characteristics are measured with a 0.33-μF capacitor across the input and a 0.1-μF capacitor across the output. Pulse-testing techniques maintain T_J as close to T_A as possible. Thermal effects must be taken into account separately.

electrical characteristics at specified virtual junction temperature, $V_I = 14\text{ V}$, $I_O = 350\text{ mA}$, $T_J = 25^\circ\text{C}$ (unless otherwise noted)

| PARAMETER | TEST CONDITIONST | | μA78M08C | | | UNIT |
|---|---|---|----------|-----|-----|-------|
| | | | MIN | TYP | MAX | |
| Output voltage | $V_I = 10.5\text{ V to }23\text{ V}$, $I_O = 5\text{ mA to }350\text{ mA}$ | $T_J = 0^\circ\text{C to }125^\circ\text{C}$ | 7.7 | 8 | 8.3 | V |
| | | | 7.6 | | 8.4 | |
| Input voltage regulation | $I_O = 200\text{ mA}$ | $V_I = 10.5\text{ V to }25\text{ V}$ | 6 | 100 | | mV |
| | | $V_I = 11\text{ V to }25\text{ V}$ | 2 | 50 | | |
| Ripple rejection | $V_I = 11.5\text{ V to }21.5\text{ V}$, $f = 120\text{ Hz}$ | $I_O = 100\text{ mA}$, $T_J = 0^\circ\text{C to }125^\circ\text{C}$ | 56 | | | dB |
| | | $I_O = 300\text{ mA}$ | 56 | 80 | | |
| Output voltage regulation | $I_O = 5\text{ mA to }500\text{ mA}$ | | 25 | 160 | | mV |
| | $I_O = 5\text{ mA to }200\text{ mA}$ | | 10 | 80 | | |
| Temperature coefficient of output voltage | $I_O = 5\text{ mA}$, $T_J = 0^\circ\text{C to }125^\circ\text{C}$ | | -1 | | | mV/°C |
| Output noise voltage | $f = 10\text{ Hz to }100\text{ kHz}$ | | 52 | | | μV |
| Dropout voltage | | | 2 | | | V |
| Bias current | | | 4.6 | 6 | | mA |
| Bias current change | $V_I = 10.5\text{ V to }25\text{ V}$, $I_O = 200\text{ mA}$, $T_J = 0^\circ\text{C to }125^\circ\text{C}$ | | | | 0.8 | mA |
| | $I_O = 5\text{ mA to }350\text{ mA}$, $T_J = 0^\circ\text{C to }125^\circ\text{C}$ | | | | 0.5 | |
| Short-circuit output current | $V_I = 35\text{ V}$ | | 250 | | | mA |
| Peak output current | | | 0.7 | | | A |

† All characteristics are measured with a 0.33-μF capacitor across the input and a 0.1-μF capacitor across the output. Pulse-testing techniques maintain T_J as close to T_A as possible. Thermal effects must be taken into account separately.

μA78M00 SERIES POSITIVE-VOLTAGE REGULATORS

The μA78M10 and μA78M15 are
obsolete and are no longer supplied

SLVS059L – JUNE 1976 – REVISED MAY 2003

electrical characteristics at specified virtual junction temperature, $V_I = 16\text{ V}$, $I_O = 350\text{ mA}$, $T_J = 25^\circ\text{C}$
(unless otherwise noted)

| PARAMETER | TEST CONDITIONS† | | μA78M09C | | | UNIT |
|---|---|---|----------|-----|-------|------|
| | | | MIN | TYP | MAX | |
| Output voltage | $V_I = 11.5\text{ V to }24\text{ V}$, $I_O = 5\text{ mA to }350\text{ mA}$ | | 8.6 | 9 | 9.4 | V |
| | | $T_J = 0^\circ\text{C to }125^\circ\text{C}$ | 8.5 | | 9.5 | |
| Input voltage regulation | $I_O = 200\text{ mA}$ | $V_I = 11.5\text{ V to }26\text{ V}$ | 6 | 100 | mV | |
| | | $V_I = 12\text{ V to }26\text{ V}$ | 2 | 50 | | |
| Ripple rejection | $V_I = 13\text{ V to }23\text{ V}$, $f = 120\text{ Hz}$ | $I_O = 100\text{ mA}$, $T_J = 0^\circ\text{C to }125^\circ\text{C}$ | 56 | | dB | |
| | | $I_O = 300\text{ mA}$ | 56 | 80 | | |
| Output voltage regulation | $I_O = 5\text{ mA to }500\text{ mA}$ | | 25 | 180 | mV | |
| | $I_O = 5\text{ mA to }200\text{ mA}$ | | 10 | 90 | | |
| Temperature coefficient of output voltage | $I_O = 5\text{ mA}$, | $T_J = 0^\circ\text{C to }125^\circ\text{C}$ | -1 | | mV/°C | |
| Output noise voltage | $f = 10\text{ Hz to }100\text{ kHz}$ | | 58 | | μV | |
| Dropout voltage | | | 2 | | V | |
| Bias current | | | 4.6 | 6 | mA | |
| Bias current change | $V_I = 11.5\text{ V to }26\text{ V}$, $I_O = 200\text{ mA}$, $T_J = 0^\circ\text{C to }125^\circ\text{C}$ | | | 0.8 | mA | |
| | $I_O = 5\text{ mA to }350\text{ mA}$, $T_J = 0^\circ\text{C to }125^\circ\text{C}$ | | | 0.5 | | |
| Short-circuit output current | $V_I = 35\text{ V}$ | | 250 | | mA | |
| Peak output current | | | 0.7 | | A | |

† All characteristics are measured with a 0.33-μF capacitor across the input and a 0.1-μF capacitor across the output. Pulse-testing techniques maintain T_J as close to T_A as possible. Thermal effects must be taken into account separately.

electrical characteristics at specified virtual junction temperature, $V_I = 17\text{ V}$, $I_O = 350\text{ mA}$, $T_J = 25^\circ\text{C}$
(unless otherwise noted)

| PARAMETER | TEST CONDITIONS† | | μA78M10C | | | UNIT |
|---|---|---|----------|-----|-------|------|
| | | | MIN | TYP | MAX | |
| Output voltage | $V_I = 12.5\text{ V to }25\text{ V}$, $I_O = 5\text{ mA to }350\text{ mA}$ | | 9.6 | 10 | 10.4 | V |
| | | $T_J = 0^\circ\text{C to }125^\circ\text{C}$ | 9.5 | | 10.5 | |
| Input voltage regulation | $I_O = 200\text{ mA}$ | $V_I = 12.5\text{ V to }28\text{ V}$ | 7 | 100 | mV | |
| | | $V_I = 14\text{ V to }28\text{ V}$ | 2 | 50 | | |
| Ripple rejection | $V_I = 15\text{ V to }25\text{ V}$, $f = 120\text{ Hz}$ | $I_O = 100\text{ mA}$, $T_J = 0^\circ\text{C to }125^\circ\text{C}$ | 59 | | dB | |
| | | $I_O = 300\text{ mA}$ | 55 | 80 | | |
| Output voltage regulation | $I_O = 5\text{ mA to }500\text{ mA}$ | | 25 | 200 | mV | |
| | $I_O = 5\text{ mA to }200\text{ mA}$ | | 10 | 100 | | |
| Temperature coefficient of output voltage | $I_O = 5\text{ mA}$, | $T_J = 0^\circ\text{C to }125^\circ\text{C}$ | -1 | | mV/°C | |
| Output noise voltage | $f = 10\text{ Hz to }100\text{ kHz}$ | | 64 | | μV | |
| Dropout voltage | | | 2 | | V | |
| Bias current | | | 4.7 | 6 | mA | |
| Bias current change | $V_I = 12.5\text{ V to }28\text{ V}$, $I_O = 200\text{ mA}$, $T_J = 0^\circ\text{C to }125^\circ\text{C}$ | | | 0.8 | mA | |
| | $I_O = 5\text{ mA to }350\text{ mA}$, $T_J = 0^\circ\text{C to }125^\circ\text{C}$ | | | 0.5 | | |
| Short-circuit output current | $V_I = 35\text{ V}$ | | 245 | | mA | |
| Peak output current | | | 0.7 | | A | |

† All characteristics are measured with a 0.33-μF capacitor across the input and a 0.1-μF capacitor across the output. Pulse-testing techniques maintain T_J as close to T_A as possible. Thermal effects must be taken into account separately.



The μA78M10 and μA78M15 are
obsolete and are no longer supplied

SLVS059L – JUNE 1976 – REVISED MAY 2003

electrical characteristics at specified virtual junction temperature, $V_I = 19\text{ V}$, $I_O = 350\text{ mA}$, $T_J = 25^\circ\text{C}$ (unless otherwise noted)

| PARAMETER | TEST CONDITIONST | | μA78M12C | | | UNIT |
|---|---|--|--|-----|-------|------|
| | | | MIN | TYP | MAX | |
| Output voltage | $V_I = 14.5\text{ V to }27\text{ V}$, $I_O = 5\text{ mA to }350\text{ mA}$ | $T_J = 0^\circ\text{C to }125^\circ\text{C}$ | 11.5 | 12 | 12.5 | V |
| | | | 11.4 | | 12.6 | |
| Input voltage regulation | $I_O = 200\text{ mA}$ | $V_I = 14.5\text{ V to }30\text{ V}$ | | 8 | 100 | mV |
| | | $V_I = 16\text{ V to }30\text{ V}$ | | 2 | 50 | |
| Ripple rejection | $V_I = 15\text{ V to }25\text{ V}$, $f = 120\text{ Hz}$ | $I_O = 100\text{ mA}$, $I_O = 300\text{ mA}$ | $T_J = 0^\circ\text{C to }125^\circ\text{C}$ | | 55 | dB |
| | | | 55 | 80 | | |
| Output voltage regulation | $I_O = 5\text{ mA to }500\text{ mA}$ | | 25 | 240 | mV | |
| | $I_O = 5\text{ mA to }200\text{ mA}$ | | 10 | 120 | | |
| Temperature coefficient of output voltage | $I_O = 5\text{ mA}$ | | -1 | | mV/°C | |
| Output noise voltage | $f = 10\text{ Hz to }100\text{ kHz}$ | | 75 | | μV | |
| Dropout voltage | | | 2 | | V | |
| Bias current | | | 4.8 | 6 | mA | |
| Bias current change | $V_I = 14.5\text{ V to }30\text{ V}$, $I_O = 200\text{ mA}$, $T_J = 0^\circ\text{C to }125^\circ\text{C}$ | | | | 0.8 | mA |
| | $I_O = 5\text{ mA to }350\text{ mA}$, $T_J = 0^\circ\text{C to }125^\circ\text{C}$ | | | | 0.5 | |
| Short-circuit output current | $V_I = 35\text{ V}$ | | 240 | | mA | |
| Peak output current | | | 0.7 | | A | |

† All characteristics are measured with a 0.33-μF capacitor across the input and a 0.1-μF capacitor across the output. Pulse-testing techniques maintain T_J as close to T_A as possible. Thermal effects must be taken into account separately.

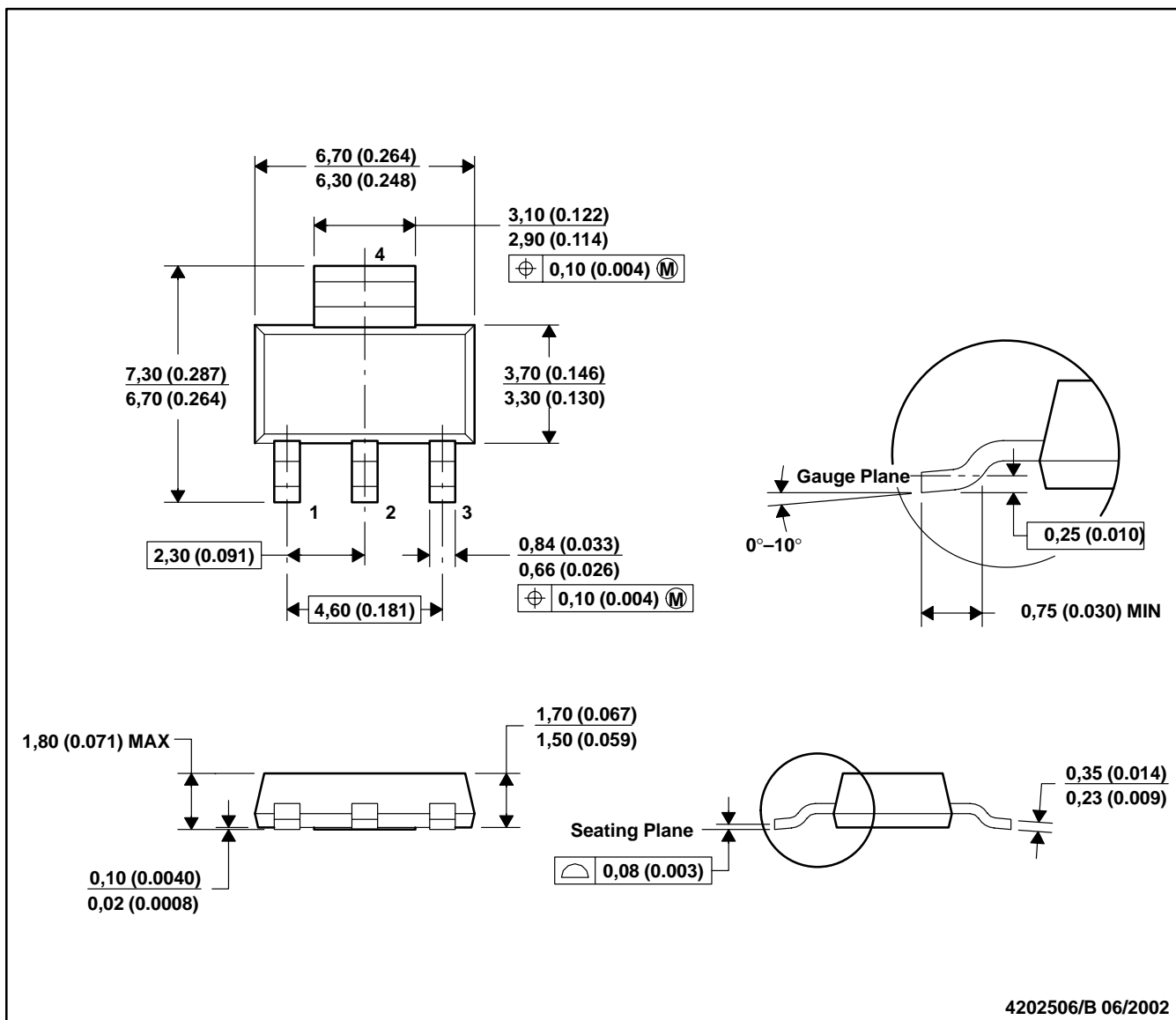
electrical characteristics at specified virtual junction temperature, $V_I = 23\text{ V}$, $I_O = 350\text{ mA}$, $T_J = 25^\circ\text{C}$ (unless otherwise noted)

| PARAMETER | TEST CONDITIONST | | μA78M15C | | | UNIT |
|---|---|--|--|-----|-------|------|
| | | | MIN | TYP | MAX | |
| Output voltage | $V_I = 17.5\text{ V to }30\text{ V}$, $I_O = 5\text{ mA to }350\text{ mA}$ | $T_J = 0^\circ\text{C to }125^\circ\text{C}$ | 14.4 | 15 | 15.6 | V |
| | | | 14.25 | | 15.75 | |
| Input voltage regulation | $I_O = 200\text{ mA}$ | $V_I = 17.5\text{ V to }30\text{ V}$ | | 10 | 100 | mV |
| | | $V_I = 20\text{ V to }30\text{ V}$ | | 3 | 50 | |
| Ripple rejection | $V_I = 18.5\text{ V to }28.5\text{ V}$, $f = 120\text{ Hz}$ | $I_O = 100\text{ mA}$, $I_O = 300\text{ mA}$ | $T_J = 0^\circ\text{C to }125^\circ\text{C}$ | | 54 | dB |
| | | | 54 | 70 | | |
| Output voltage regulation | $I_O = 5\text{ mA to }500\text{ mA}$ | | 25 | 300 | mV | |
| | $I_O = 5\text{ mA to }200\text{ mA}$ | | 10 | 150 | | |
| Temperature coefficient of output voltage | $I_O = 5\text{ mA}$, $T_J = 0^\circ\text{C to }125^\circ\text{C}$ | | -1 | | mV/°C | |
| Output noise voltage | $f = 10\text{ Hz to }100\text{ kHz}$ | | 90 | | μV | |
| Dropout voltage | | | 2 | | V | |
| Bias current | | | 4.8 | 6 | mA | |
| Bias current change | $V_I = 17.5\text{ V to }30\text{ V}$, $I_O = 200\text{ mA}$, $T_J = 0^\circ\text{C to }125^\circ\text{C}$ | | | | 0.8 | mA |
| | $I_O = 5\text{ mA to }350\text{ mA}$, $T_J = 0^\circ\text{C to }125^\circ\text{C}$ | | | | 0.5 | |
| Short-circuit output current | $V_I = 35\text{ V}$ | | 240 | | mA | |
| Peak output current | | | 0.7 | | A | |

† All characteristics are measured with a 0.33-μF capacitor across the input and a 0.1-μF capacitor across the output. Pulse-testing techniques maintain T_J as close to T_A as possible. Thermal effects must be taken into account separately.

DCY (R-PDSO-G4)

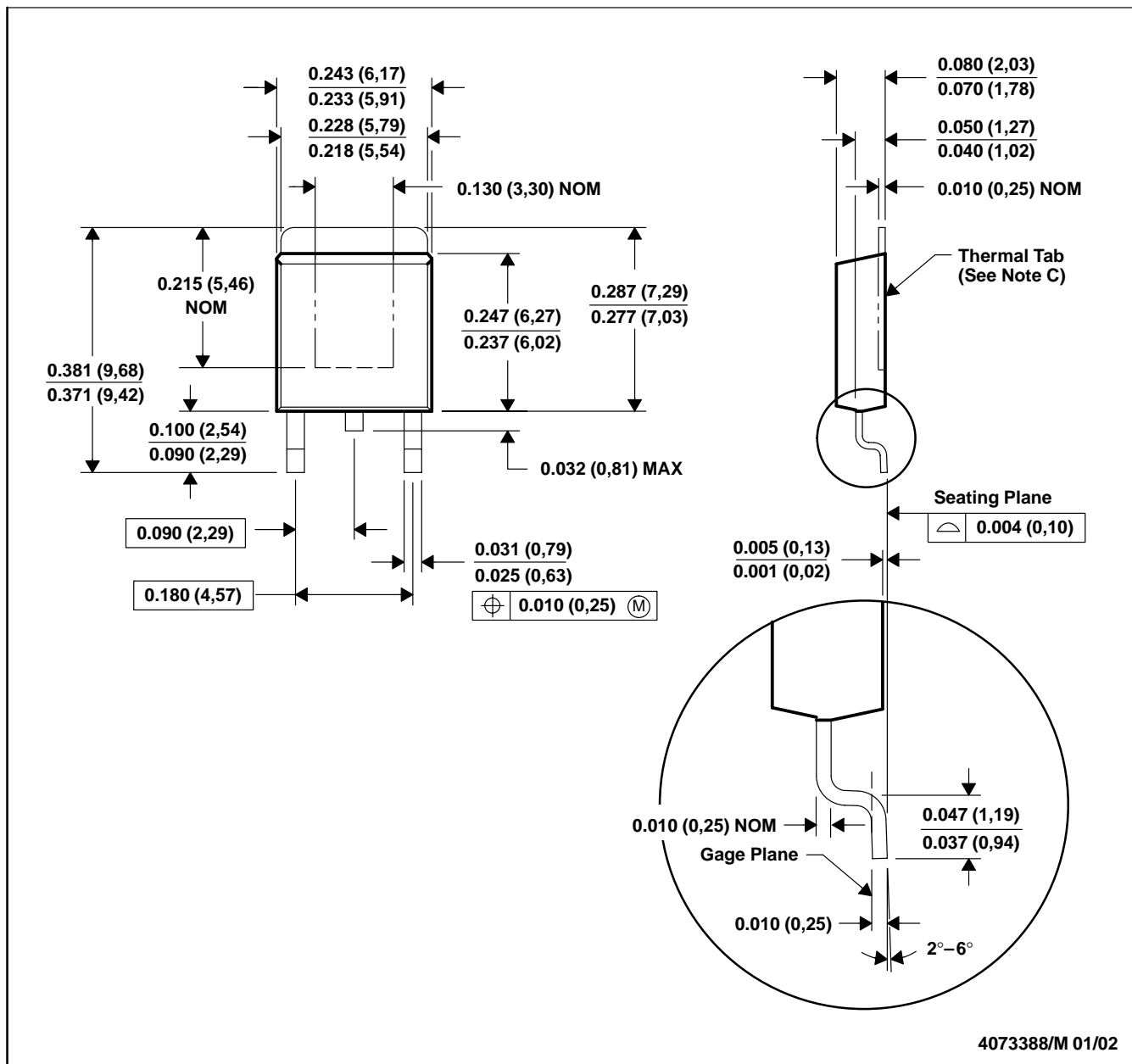
PLASTIC SMALL-OUTLINE



- NOTES: A. All linear dimensions are in millimeters (inches).
 B. This drawing is subject to change without notice.
 C. Body dimensions do not include mold flash or protrusion.
 D. Falls within JEDEC TO-261 Variation AA.

KTP (R-PSFM-G2)

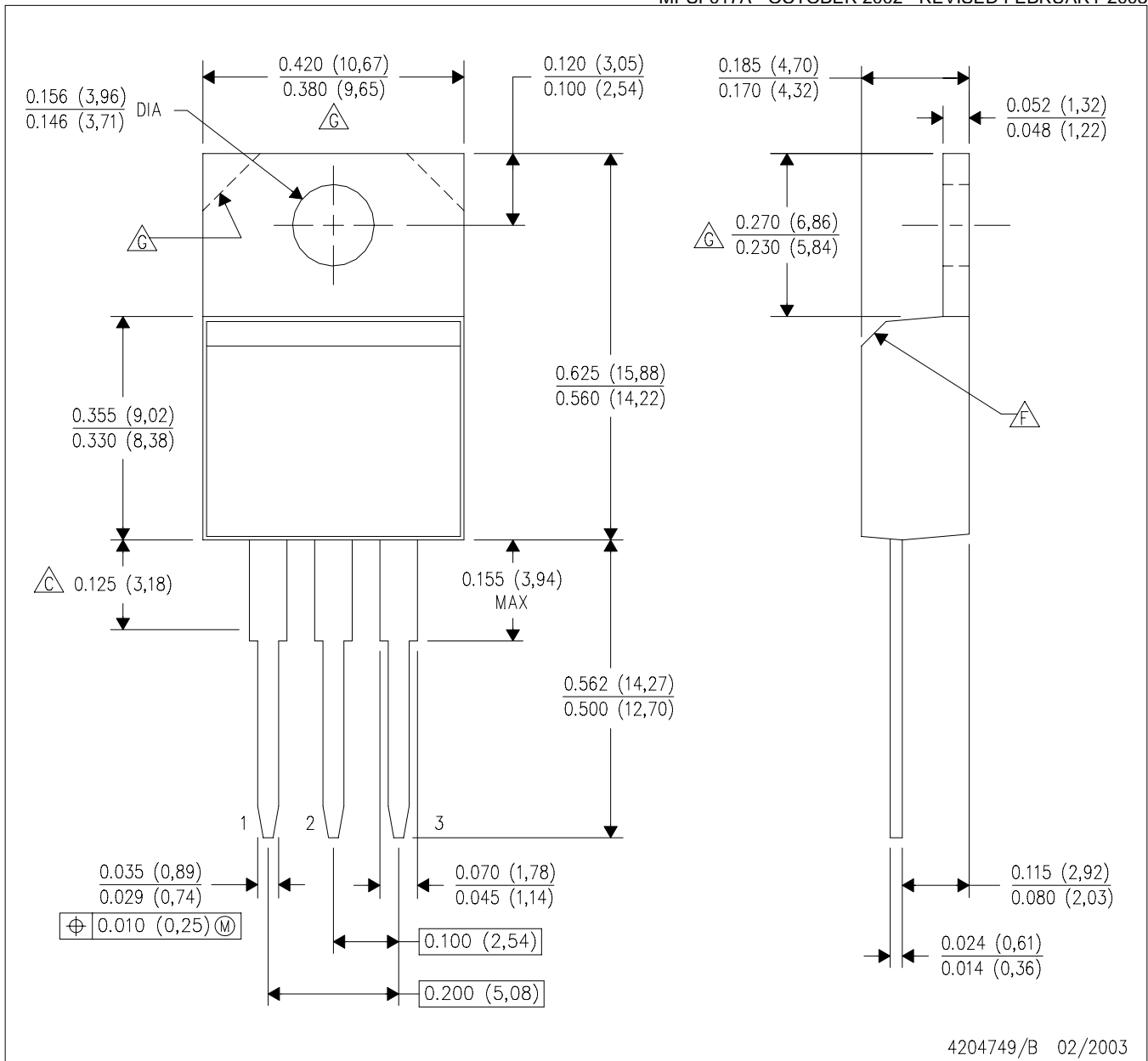
PowerFLEX™ PLASTIC FLANGE-MOUNT PACKAGE



- NOTES: A. All linear dimensions are in inches (millimeters).
 B. This drawing is subject to change without notice.
 C. The center lead is in electrical contact with the thermal tab.
 D. Dimensions do not include mold protrusions, not to exceed 0.006 (0,15).
 E. Falls within JEDEC TO-252 variation AC.

PowerFLEX is a trademark of Texas Instruments.





4204749/B 02/2003

- NOTES:
- A. All linear dimensions are in inches (millimeters).
 - B. This drawing is subject to change without notice.
 - C. Lead dimensions are not controlled within this area.
 - D. All lead dimensions apply before solder dip.
 - E. The center lead is in electrical contact with the mounting tab.
 - F. The chamfer is optional.
 - G. Tab contour optional within these dimensions.
 - H. Falls within JEDEC TO-220 variation AB.

IMPORTANT NOTICE

Texas Instruments Incorporated and its subsidiaries (TI) reserve the right to make corrections, modifications, enhancements, improvements, and other changes to its products and services at any time and to discontinue any product or service without notice. Customers should obtain the latest relevant information before placing orders and should verify that such information is current and complete. All products are sold subject to TI's terms and conditions of sale supplied at the time of order acknowledgment.

TI warrants performance of its hardware products to the specifications applicable at the time of sale in accordance with TI's standard warranty. Testing and other quality control techniques are used to the extent TI deems necessary to support this warranty. Except where mandated by government requirements, testing of all parameters of each product is not necessarily performed.

TI assumes no liability for applications assistance or customer product design. Customers are responsible for their products and applications using TI components. To minimize the risks associated with customer products and applications, customers should provide adequate design and operating safeguards.

TI does not warrant or represent that any license, either express or implied, is granted under any TI patent right, copyright, mask work right, or other TI intellectual property right relating to any combination, machine, or process in which TI products or services are used. Information published by TI regarding third-party products or services does not constitute a license from TI to use such products or services or a warranty or endorsement thereof. Use of such information may require a license from a third party under the patents or other intellectual property of the third party, or a license from TI under the patents or other intellectual property of TI.

Reproduction of information in TI data books or data sheets is permissible only if reproduction is without alteration and is accompanied by all associated warranties, conditions, limitations, and notices. Reproduction of this information with alteration is an unfair and deceptive business practice. TI is not responsible or liable for such altered documentation.

Resale of TI products or services with statements different from or beyond the parameters stated by TI for that product or service voids all express and any implied warranties for the associated TI product or service and is an unfair and deceptive business practice. TI is not responsible or liable for any such statements.

Mailing Address:

Texas Instruments
Post Office Box 655303
Dallas, Texas 75265